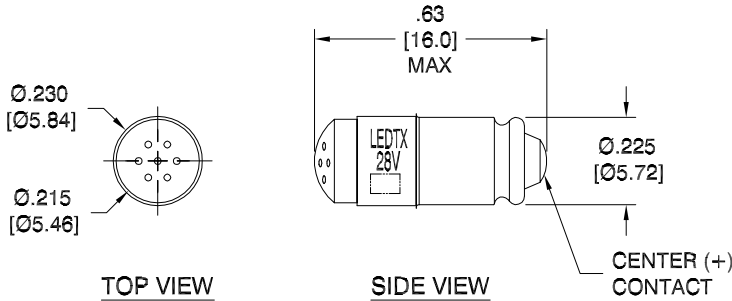


LTR	REVISION	DATE	APPD
-	RELEASED	01-06-20	



ACTUAL SIZE



NOTES:

1. ALL DIMENSIONS ARE IN INCHES [MILLIMETERS].
2. SLEEVE MATERIAL: RYNITE FR530
3. BASE MATERIAL: BRASS WITH NICKEL PLATED
4. OPERATING TEMPERATURE: ~-30°C to ~+50°C

REVISION NOTIFICATION	
<input type="checkbox"/> DLC	
<input type="checkbox"/> UL/ETL	
<input type="checkbox"/> MADE IN USA	
<input type="checkbox"/> CUSTOMER _____	
<input type="checkbox"/> OTHER	
REDLINE CHECKLIST	
<input type="checkbox"/> REDLINE(YES)	
<input type="checkbox"/> DATE: _____	
<input type="checkbox"/> INITIATED BY: _____	
<input type="checkbox"/> ECR REQUIRED YES <input type="checkbox"/> NO <input type="checkbox"/>	
<input type="checkbox"/> WORK ORDER# _____	

ELECTRICAL-OPTICAL CHARACTERISTICS (Ta = 25°C)

G206CG6-0009	G206CG6-28V/20-P	HI-EFF GREEN	24/28Vdc	0.36 W	0.013 A	0.075 cd	565nm	160°
G206CR6-0013	G206CR6-28V/20-P	HI-EFF RED	24/28Vdc	0.36 W	0.013 A	0.045 cd	633nm	160°
G206CY6-0001	G206CY6-28V/20-P	YELLOW	24/28Vdc	0.36 W	0.013 A	0.030 cd	584nm	160°
G206CW6-0002	G206CW6-28V/20-P	PALE YELLOW-WHITE	24/28Vdc	0.39 W	0.014 A	0.075 cd	631/566nm	160°
LEDTRONICS PART NO.	DESCRIPTION PART NO.	COLOR EMITTED	INPUT VOLTAGE, V (Tested@28Vdc)	POWER (W)	CURRENT (A)	MAXIMUM CANDELA	λ P nm	VIEWING ANGLE (FULL BEAM WIDTH @ 50% INTENSITY)

 LEDTRONICS,™ INC. 23105 KASHIWA COURT TORRANCE, CA 90505	-PROPRIETARY- This document contains Proprietary information of LEDTRONICS,™ INC. It may not be copied, used or disclosed for any purpose without the prior express written consent of LEDTRONICS,™ INC. .XXX ± .010 TOLERANCE PER ANSI-Y14.5 .XX ± .025 (UNLESS OTHERWISE STATED) ANGLES ± 0°,30' FRACT. ± 1/32	TITLE G206CX6-00XX (G206CX6-28V/20-P)					
		DWG NO	SCALE	SHEET	DATE		
		G206-28V-P	2:1	1 OF 1	01-06-20		
CODE IDENT NO.	DWG BY GP	CHK BY	QA LUV	MFG LD	R&D UF		
8Z410	01-06-20		01-08-20	01-07-20	01-07-20		