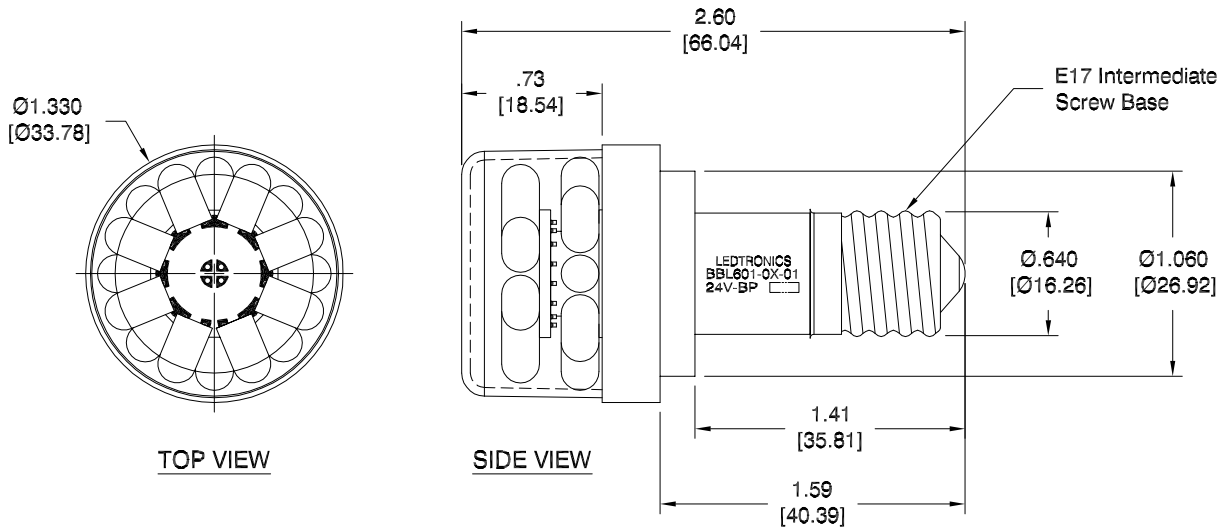


LTR	REVISION	DATE	APPD
A	050418-GP01: REMOVED P/N's & UPDATED NOTES	05-21-18	GP



**NOTES:**

1. ALL DIMENSIONS ARE IN INCHES [MILLIMETERS].
2. LENS MATERIAL / COLOR: POLYCARBONATE LEXAN 141 / CLEAR
3. SLEEVE MATERIAL: GENERAL POLYMERS RYNITE FR530.
4. BASE MATERIAL: BRASS
5. AMBIENT OPERATING TEMPERATURE RANGE: ~-22°F to ~+122°F [~-30°C to ~+50°C]
6. WEIGHT: 0.05 lbs. / 0.8 oz.

REVISION NOTIFICATION	
<input type="checkbox"/>	DLC
<input type="checkbox"/>	UL/ETL
<input type="checkbox"/>	MADE IN USA
<input type="checkbox"/>	CUSTOMER _____
<input type="checkbox"/>	OTHER
REDLINE CHECKLIST	
<input type="checkbox"/>	REDLINE(YES)
<input type="checkbox"/>	DATE: _____
<input type="checkbox"/>	INITIATED BY: _____
<input type="checkbox"/>	ECR REQUIRED YES <input type="checkbox"/> NO <input type="checkbox"/>
<input type="checkbox"/>	WORK ORDER# _____

**ELECTRICAL-OPTICAL CHARACTERISTICS (Ta = 25°C)**

BBL601-01-01	SUPER RED	24Vdc BP	0.96 W	0.040 A	2.0cd	-	633nm
BBL601-02-01	SUPER ORANGE	24Vdc BP	0.96 W	0.040 A	6.5cd	-	610nm
BBL601-03-01	AQUA GREEN	24Vdc BP	1.4 W	0.060 A	10.0cd	-	521nm
BBL601-06-01	COOL WHITE	24Vdc BP	1.4 W	0.060 A	6.0cd	8000K	-
LEDTRONICS PART NO.	COLOR EMITTED	INPUT VOLTAGE, V	POWER (W)	CURRENT (A)	LIGHT OUTPUT PER LED lv, cd	COLOR TEMP. (K)	λP nm

<p>LEDTRONICS,™ INC. 23105 KASHIWA COURT TORRANCE, CA 90505</p>	<p><b>-PROPRIETARY-</b> This document contains Proprietary information of LEDTRONICS,™ INC. It may not be copied, used or disclosed for any purpose without the prior express written consent of LEDTRONICS,™ INC.</p>		<p><b>TITLE</b> <b>BBL601-0X-01</b></p>				
	<p>DWG NO BBL601009</p>		<p>SCALE 1:1</p>		<p>SHEET 1 OF 1</p>		<p>DATE 05-17-11</p>
	<p>CODE IDENT NO. 8Z410</p>	<p>DWG BY GP 05-17-11</p>	<p>CHK BY</p>	<p>QA EE 05-21-18</p>	<p>MFG LD 05-21-18</p>	<p>R&amp;D KS 05-21-18</p>	

.XXX ± .010 TOLERANCE PER ANSI-Y14.5  
.XX ± .025 (UNLESS OTHERWISE STATED)  
ANGLES ± 0°,30'  
FRACT. ± 1/32