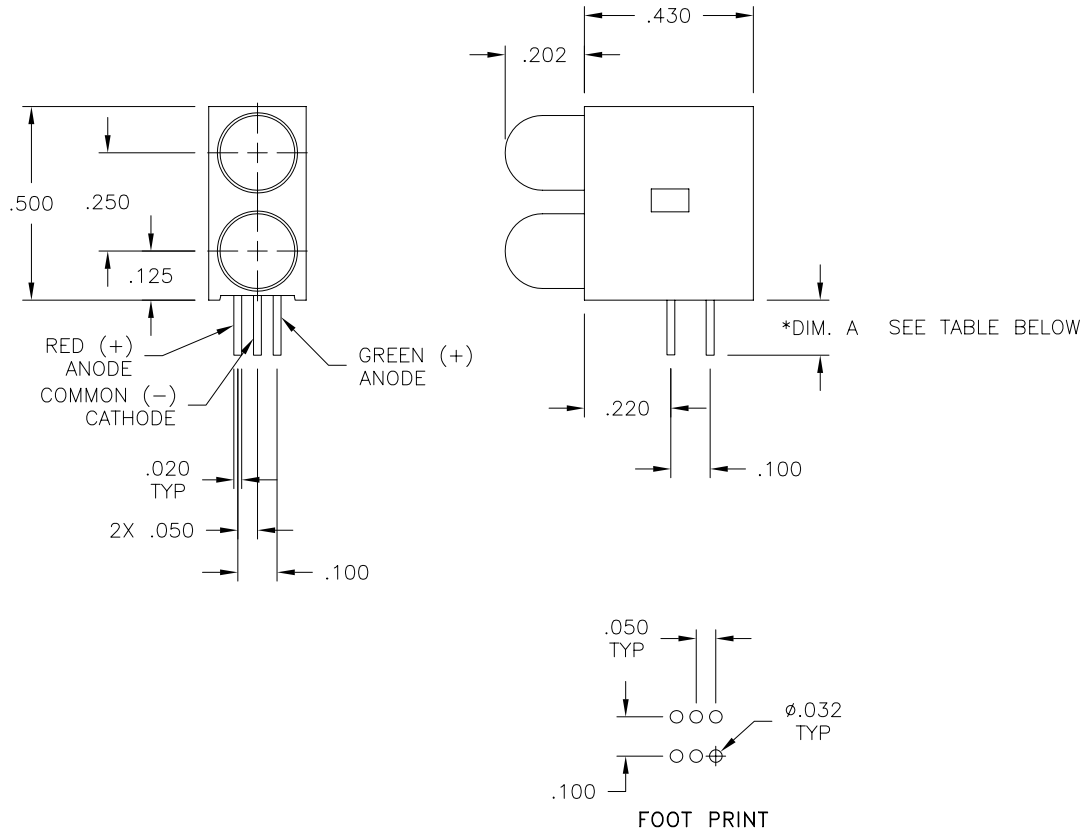


LTR	REVISION	DATE	APPD
-	RELEASED	05-01-97	
A	RVSD PER ECR 111400-RM01	11-14-00	RM
B	RVSD PER ECR 030201-RM01	03-02-01	RM
C	RVSD PER ECR 040502-JH01	04-09-02	JCH
D	RVSD PER ECR 062003-JH02	06-25-03	WB



LEDTRONICS PART NO.	L.E.D. RADIATION COLOR	*DIM. A	ABSOLUTE MAXIMUM RATINGS ($T_a=25^\circ\text{C}$)					ELECTRO-OPTICAL CHARACTERISTICS ($T_a=25^\circ\text{C}$)					
			P_d mW	I_{fp} mA	I_f mA	V_r V	T_{opr} ($^\circ\text{C}$)	I_f mA	I_v mcd typ	$V_f=V$ typ/max	VIEW ANGLE 201/2	I_r max μA	λ_{Peak} nm
21PCT200TW4H-01	HI-EFF RED	.400	100	150	30	5	-20 TO +85	10	15	1.9/2.4	65	100	635
	HI-EFF GREEN		100	150	30	5	-20 TO +85	10	25	2.1/2.7		100	565
21PCT200TWRG4H-3C	HI-EFF RED	.140	100	150	30	5	-20 TO +85	10	15	1.9/2.4	65	100	635
	HI-EFF GREEN		100	150	30	5	-20 TO +85	10	25	2.1/2.7		100	565

Tstg: -55°C TO +100°C

LED[®]
LEDTRONICS, INC.[™]
23105 KASHIWA COURT
TORRANCE, CA 90505

-PROPRIETARY-
This document contains Proprietary information of LEDTRONICS, INC. It may not be copied, used or disclosed for any purpose without the prior express written consent of LEDTRONICS, INC.

.XXX \pm .010 TOLERANCE PER ANSI-Y14.5
.XX \pm .025 (UNLESS OTHERWISE STATED)
ANGLES \pm 0',30'
FRACT. \pm 1/32

TITLE **21PCT200TWRG4H-3C-XXX**

DWG NO	SCALE	SHEET	DATE
SDPC0217	2:1	1 OF 1	05-01-97
CODE IDENT NO.	DWG BY	CHK BY	QA
8Z410	SMA		JCH
MFG	CUSTOMER	DATE	
SB		06-27-03	06-27-03