

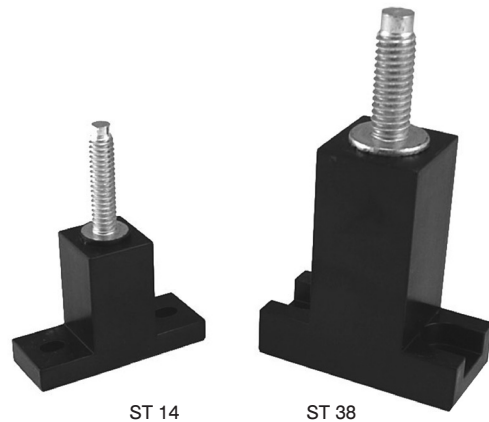
# Semi Conductor Fuse Holders

## 1000 Volt<sup>+</sup>

### Stud Version - Specifications:

- Tested and Approved for 200,000 Amp, 600 Volt Withstand Rating and Short Circuit Current Ratings (SCCR)
- Base, General Purpose Phenolic, 150°C
- Contact Customer Service for availability of thermoplastic version
- Stud, Steel Zinc Plated
- Nuts and Washers Provided Unassembled
- UL Recognized File No. IZLT2.E35113
- **CE**
- RoHS Compliant

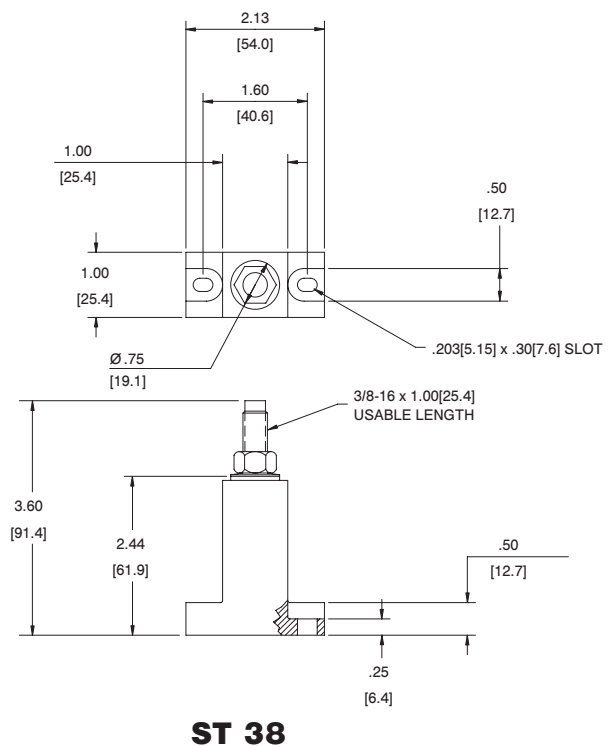
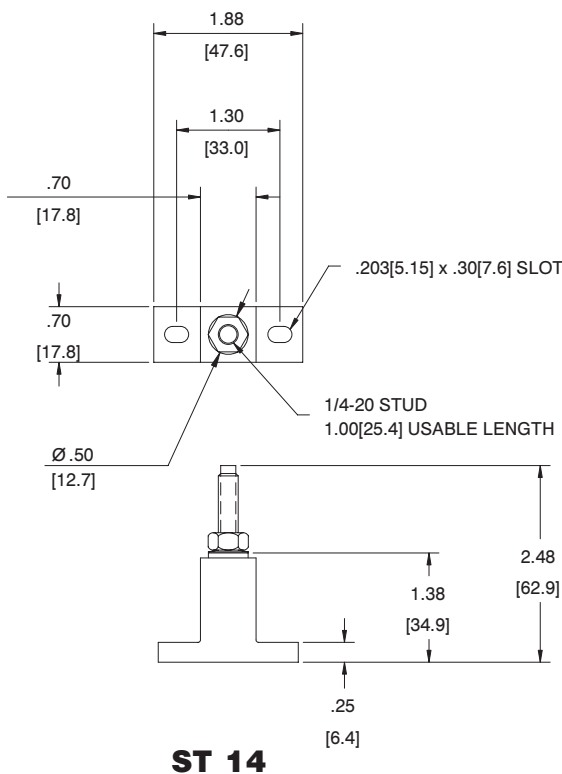
+ Refer to [www.marathonsp.com/PDFs/1000VCERating.pdf](http://www.marathonsp.com/PDFs/1000VCERating.pdf) for details on availability of CE voltage ratings greater than 600 Volts



Catalog #	Maximum Amperage	Fuse Size	Tested At:	
			I <sup>2</sup> t	I <sub>p</sub>
ST 14	400	1" DIA	1130 kA	27.6 kA
ST 38	800	3" DIA	1130 kA	40.1 kA

Approved for 1,000 Volts - not interrupt tested

**NOTE: Order two blocks per fuse**



Marathon Special Products fuse holders will comply to new harmonized fuse holder standard 4248. Please refer to [www.marathonsp.com](http://www.marathonsp.com) for the latest updates.

For electronic drawings or 2D/3D CAD data, send request to [drawings@marathonsp.com](mailto:drawings@marathonsp.com)