

# 599/799 GP Series - Single Row Terminal Blocks



599 GP 06 PSB

### Specifications

- A Kulka® Brand
- 15 amps
- 300 Volts AC/DC, Class B
- 150 Volts AC/DC, Class C
- 799 series (riveted construction) 150 Volts AC/DC, Class C
- Base, phenolic, 150°C (UL RTI)
- JJ (GDI-30F) material available
- Screws, steel, #5-40 phil-slot
- Terminals, plated brass
- Open back design (Insulator strip required for voltage rating - [Reference](#))
- 1-30 poles at 3/8" centers
- Accepts lugs w/max width of .30"
- Bare wire range #16-#22 AWG

### Standards

- UL recognized file no. XCFR2.E47811
- CSA certified file no. LR19766
- CE Compliant (IEC 60947-7-1)
- RoHS compliant

### Datasheets

- [599 GP PSB](#)
- [599 GP Mod](#)

## Single Row Terminal Blocks - 599 / 799 GP Series

Catalog #	# of Poles	Dimensions	
		A	B
599 GP 01 PSB	1	1.03	0.75
599 GP 02 PSB	2	1.41	1.12
599 GP 03 PSB	3	1.78	1.50
599 GP 04 PSB	4	2.16	1.88
599 GP 05 PSB	5	2.53	2.25
599 GP 06 PSB	6	2.91	2.63
599 GP 07 PSB	7	3.28	3.00
599 GP 08 PSB	8	3.66	3.38
599 GP 09 PSB	9	4.03	3.75
599 GP 10 PSB	10	4.41	4.13
599 GP 11 PSB	11	4.78	4.50
599 GP 12 PSB	12	5.16	4.88
599 GP 13 PSB	13	5.53	5.25
599 GP 14 PSB	14	5.91	5.63
599 GP 15 PSB	15	6.28	6.00
599 GP 16 PSB	16	6.66	6.38
599 GP 17 PSB	17	7.03	6.75
599 GP 18 PSB	18	7.41	7.13
599 GP 19 PSB	19	7.78	7.50
599 GP 20 PSB	20	8.16	7.88
599 GP 21 PSB	21	8.53	8.25
599 GP 22 PSB	22	8.91	8.63
599 GP 23 PSB	23	9.28	9.00
599 GP 24 PSB	24	9.66	9.38
599 GP 25 PSB	25	10.03	9.75
599 GP 26 PSB	26	10.41	10.13
599 GP 27 PSB	27	10.78	10.50
599 GP 28 PSB	28	11.16	10.88
599 GP 29 PSB	29	11.53	11.25
599 GP 30 PSB	30	11.91	11.63

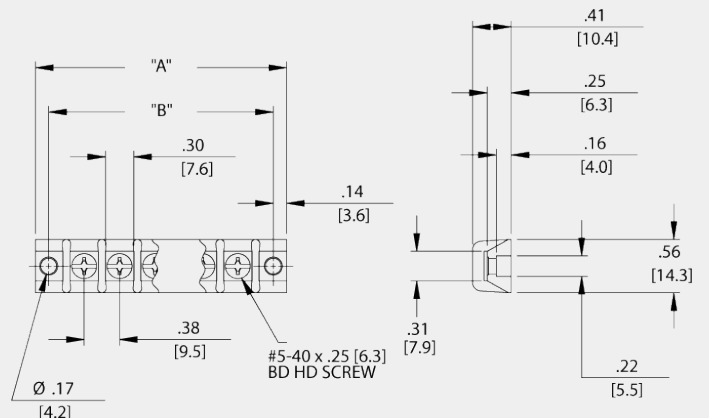
mm = dim X 25.4

## Hardware Options

(Hardware options may affect ratings - Consult Customer Service)

Catalog #	Product Description	Reference Sheet
KT28	Full Quick Connect (0 degree Flat)	<a href="#">Reference</a>
KT29	Full Quick Connect (45 degree Bend)	
KT30	Full Quick Connect (90 degree Bend)	
KT34	Half Quick Connect (0 degree Flat)	
KT35	Half Quick Connect (45 degree Flat)	
KT36	Half Quick Connect (90 degree Flat)	
3/4 ST	Half Solder	<a href="#">Reference</a>
Z	Lug Over the Side (.312)	<a href="#">Reference</a>
J 600	Line-to-Line Jumper	<a href="#">Reference</a>
600RJ(S)	Multiple Position Jumper	
2002	Stud	<a href="#">Reference</a>
2004	Feed Thru Solder	<a href="#">Reference</a>
2020	Solder Pin	<a href="#">Reference</a>
2021	Solder Pin (Slotted Screw)	
	Marking & Insulator Strips - Sub-Mounted	<a href="#">Reference</a>

Quick Connects: .020" x .187"



## CONTACT

Marathon Special Products  
427 Van Camp Road  
P.O. Box 468  
Bowling Green, Ohio 43402

tel: 419-352-8441  
fax: 419-352-0875  
email: [marketing@marathonsp.com](mailto:marketing@marathonsp.com)

## CUSTOMER SERVICE HOURS

Mon-Fri 8am-5pm EST

## LINKS

[About Us](#)

[Contact Us](#)

[Terms & Conditions](#)

[Locate a Distributor](#)

## ABOUT

Marathon Special Products is an industry leader for supplying power blocks, terminal blocks, and fuse holders in North America. We've achieved this by providing one of the broadest line offerings with various sizes, terminal styles, electrical ratings and features.

