

671 GP Series (200 Series) - Double Row Terminal Blocks



671 GP 13

Specifications

- A Kulka® Brand
- 30 amps
- 150 Volts Class C, 300 volts Class B
- Base, phenolic, 150°C (UL RTI)
- Screws, steel, #6-32 phil-slot
- Terminals, plated brass
- Closed back
- 1-30 poles at 7/16" centers
- Accepts lugs w/max width of .34"
- Bare wire range #12-#22 AWG

Standards

- UL recognized file no. XCFR2.E62806
- CSA certified file no. LR19766
- CE compliant (IEC 60947-7-1)
- RoHS compliant

Datasheets

- [671 GP Standard](#)
- [671 GP Mod](#)
- [671 GP 3765](#)

Double Row Terminal Blocks - 671 GP Series (200 Series)

Catalog #	Alternate Catalog #	# of Poles	Dimensions	
			A	B
671 GP 01	201	1	1.19	0.88
671 GP 02	202	2	1.62	1.31
671 GP 03	203	3	2.06	1.75
671 GP 04	204	4	2.50	2.19
671 GP 05	205	5	2.94	2.63
671 GP 06	206	6	3.37	3.06
671 GP 07	207	7	3.81	3.50
671 GP 08	208	8	4.25	3.94
671 GP 09	209	9	4.69	4.38
671 GP 10	210	10	5.12	4.81
671 GP 11	211	11	5.56	5.25
671 GP 12	212	12	6.00	5.69
671 GP 13	213	13	6.44	6.13
671 GP 14	214	14	6.87	6.56
671 GP 15	215	15	7.31	7.00
671 GP 16	216	16	7.75	7.44
671 GP 17	217	17	8.19	7.88
671 GP 18	218	18	8.62	8.31
671 GP 19	219	19	9.06	8.75
671 GP 20	220	20	9.50	9.19
671 GP 21	221	21	9.94	9.63
671 GP 22	222	22	10.37	10.06
671 GP 23	223	23	10.81	10.50
671 GP 24	224	24	11.25	10.94
671 GP 25	225	25	11.69	11.38
671 GP 26	226	26	12.12	11.81
671 GP 27	227	27	12.56	12.25
671 GP 28	228	28	13.00	12.69
671 GP 29	229	29	13.44	13.13
671 GP 30	230	30	13.87	13.56

mm = dim X 25.4

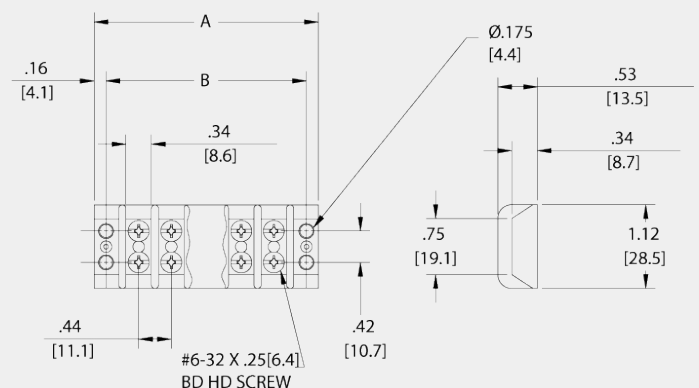
Hardware Options

(Hardware options may affect ratings - Consult Customer Service)

Catalog #	Product Description	Reference Sheet
KT37	Full Quick Connect (0° Flat)	Reference
KT38	Full Quick Connect (45° Bend)	
KT39	Full Quick Connect (90° Bend)	
KT43	Half Quick Connect (0° Flat)	
KT44	Half Quick Connect (45° Flat)	
KT45	Half Quick Connect (90° Flat)	
ST	Full Solder	Reference
3/4 ST	Half Solder	
J 621	Line-to-Line Jumper	Reference
601RJ(S)	Multiple Position Jumper	
3765	SEMS Pressure Saddle Screw*	Reference
3767	SEMS Pressure Saddle Screw with external tooth lock washer*	
PSB	Phil-Slot Brass Screw	Add "PSB" after part number
	Covers - Top-Mounted	Reference
	Marking & Insulator Strips - Sub-Mounted	Reference
	Marking Strips - Top-Mounted	Reference

Quick Connects: .032" x .250"

*Bare wire range with SEMS screw of #12-22 AWG, stranded copper wire only



CONTACT

Marathon Special Products
427 Van Camp Road
P.O. Box 468
Bowling Green, Ohio 43402

tel: 419-352-8441
fax: 419-352-0875
email: marketing@marathonsp.com

CUSTOMER SERVICE HOURS

Mon-Fri 8am-5pm EST

LINKS

[About Us](#)

[Contact Us](#)

[Terms & Conditions](#)

[Locate a Distributor](#)

ABOUT

Marathon Special Products is an industry leader for supplying power blocks, terminal blocks, and fuse holders in North America. We've achieved this by providing one of the broadest line offerings with various sizes, terminal styles, electrical ratings and features.

