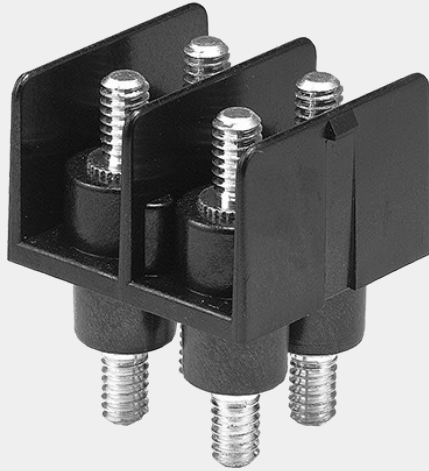


ST722, ST715, and ST723 Series - Studded Power Feed Thru Terminal Blocks



ST722B2502

ST722 Series

Electrical

- 300 volts AC/DC (UL)
- 115 - 175 amps
- Wire range is determined by the compression lugs used. Typically accepts 2/0 - #8 AWG lug sizes.
- Short circuit current rating (SCCR) of 10K
- Factory and field wiring

General Specifications

- Base - black thermoplastic
- Studs - brass, nickel-plated
- Insulator temp-rating: 125°C (257°F) - UL RTI
- Flammability, UL 94 V-0
- Mounting: panel mountable (back or end)
- .73" centers (pole-to-pole)
- Accommodates two hole compression lugs with .625" centers and a max width of .64"
- Application torque: 35 lbf-in for #10 - 32 and M5, 50 lbf-in for #10 - 32 and M5, 50 lbf-in for 1/4" - 20 and M6

Standards





- See datasheets for product specific approvals listed
- UL recognized file no. XCFR2.E62806 (UL 1059)
- CSA certified file no. LR19766 (CSA C22-2 No. 158)
- CE (component IEC 60947-7-1)
- RoHS compliant

Ordering Code:

Series	Mounting Styles	Thread Size	Number of Poles	Terminal Options	Hardware Options	Datasheets
ST722	X	XX	XX			ST722B19XX ST722B25XX ST722BM5XX ST722BM6XX ST722E25XX ST722EM6XX
	B = Back Mount E = End Mount	25 = 1/4 - 20 19 = #10 - 32 M6 = M6 M5 = M5	01 = 1 Pole 02 = 2 Pole 03 = 3 Pole 04 = 4 Pole 05 = 5 Pole 06 = 6 Pole	Blank = Studs Top & Bot. T1 = Tap Top, Stud Bot. T1S = Stud Top, Tap Bot. T2 = Tap Top & Bot.	Blank - No hardware UH - All nuts shipped bulk AH - All nuts assembled DL - Assembled barrier side, remainder shipped bulk	

ST722 Series - Studded Feed Thru

Series	Amp Rating	Mounting Style	Poles Available	Terminal Description	Terminal Illustration (2 pole shown)	Agency Compliance
ST722Bxxxx	175	Back	2 to 6	Studs Top & Bottom		UL Recognized CSA Certified CE Compliant
ST722BxxxxT1	115	Back	2 to 6	Tap Top, Stud Bottom		UL Recognized cUL Recognized CE Compliant
ST722BxxxxT1S	115	Back	2 to 6	Stud Top, Tap Bottom		UL Recognized cUL Recognized CE Compliant
ST722BxxxxT2	115	Back	2 to 6	Tap Top & Bottom		UL Recognized cUL Recognized CE Compliant

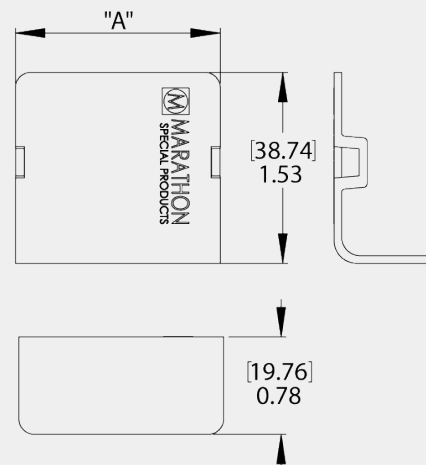
ST722Exxxx	175	End	1 to 6	Studs Top & Bottom		UL Recognized CSA Certified CE Compliant
ST722ExxxxT1	115	End	1 to 6	Tap Top, Stud Bottom		UL Recognized cUL Recognized CE Compliant
ST722ExxxxT1S	115	End	1 to 6	Stud Top, Tap Bottom		UL Recognized cUL Recognized CE Compliant
ST722ExxxxT2	115	End	1 to 6	Tap Top & Bottom		UL Recognized cUL Recognized CE Compliant

Cover Available



- Covers fit all styles available
- Base - Thermoplastic
- Flammability UL 94 V-0

Catalog Number	Poles	Dimension A
C72201	1	.91
C72202	2	1.64
C72203	3	2.37
C72204	4	3.10
C72205	5	3.83
C72206	6	4.56



ST715 Series

Electrical

- 300 volts AC/DC (UL 1059 Class B and C)
- 80 amps
- Wire range is determined by the compression lugs used. Typically accepts #6 - #14 lug sizes

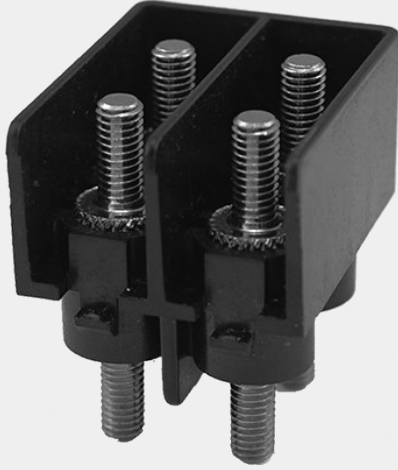
Standards

- UI recognized file no. XCFR2.E62806
- cURus recognized file no. XCFR8.E62806
- CE (component IEC 60947-7-1)
- RoHS compliant

General Specifications

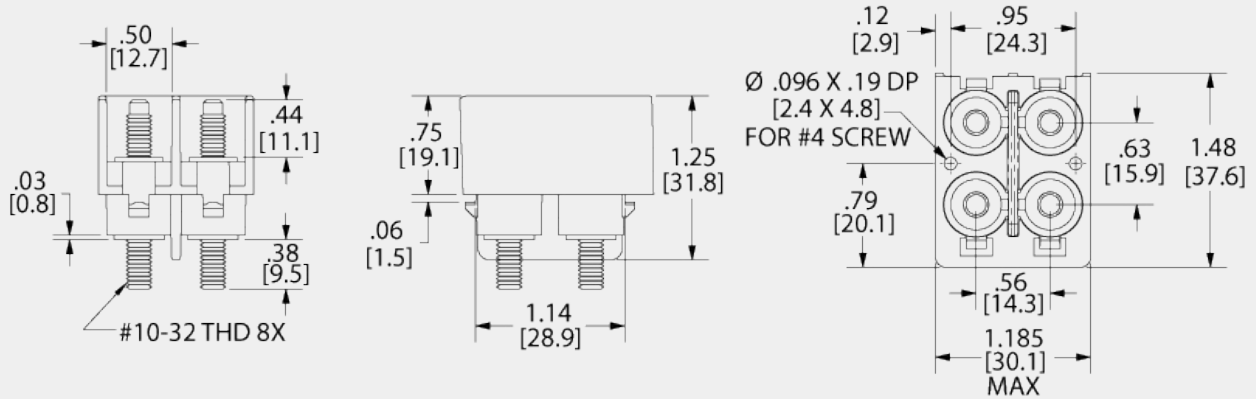
- Base - black thermoplastic
- #10 - #32 studs - brass, nickel-plated
- Insulator temp-rating: 125°C (257°F) - UL RTI
- Flammability, UL 94 V-0
- Mounting: panel mountable (back or slide options)
- 2 pole at .56" center (pole-to-pole)
- Application torque: 20 lbf-in
- Accommodates two hole compression lugs on .625" centers and a max width of .50"

Ordering Code



ST715S1902

Series	Hardware Options
ST715S1902	Blank - No hardware
	UH - All nuts shipped bulk
	AH- All nuts assembled
	DL - Assembled barrier side, remainder shipped bulk



ST723 Series

Electrical

- 600 volts AC/DC
- 380 amps
- Short circuit current rating (SCCR) of 10K
- Wire range is determined by the compression lugs used. Typically accepts 500 kcmil - 2/0 AWG lug sizes

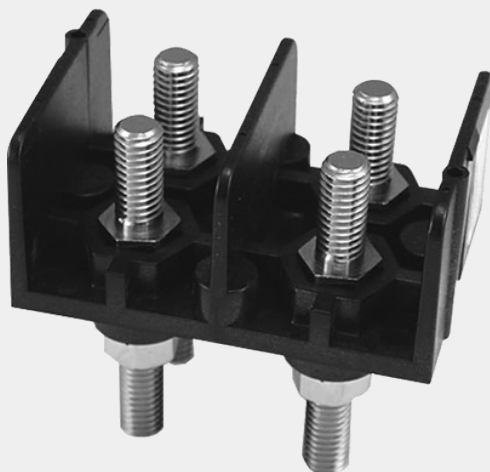
Standards

- UI recognized file no. XCFR2.E62806
- cURus recognized file no. XCFR8.E62806
- RoHS compliant

General Specifications

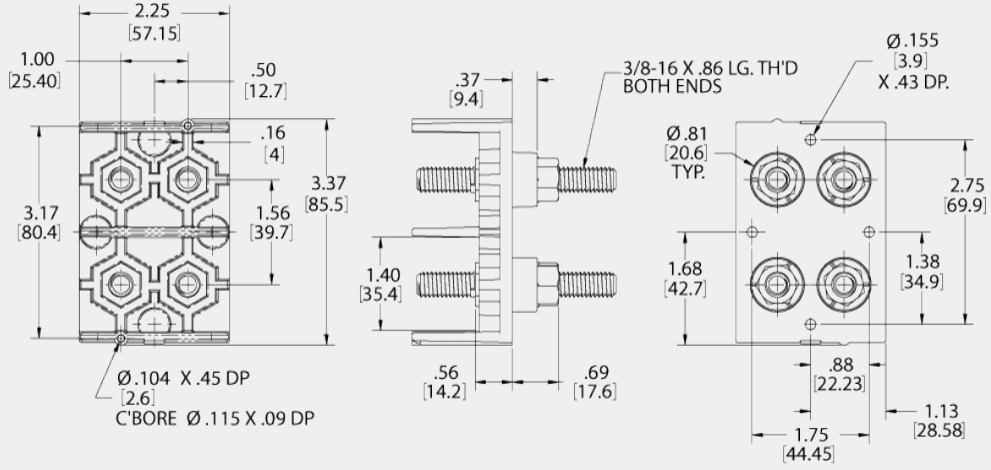
- Base - black thermoplastic
- Studs - brass, nickel-plated
- Insulator temp-rating: 125°C (257°F) - UL RTI
- Flammability, UL 94 V-0
- Mounting: panel mountable (back mount only) torque to 15 lbf-in max
- 1.56" centers (pole-to-pole)
- Application torque: 192 lbf-in
- Accommodates two hole compression lugs with 1.00" centers and a max width of 1.40"

Ordering Code



ST723B3802

Series	Number of Poles	Hardware Options
ST723B38	XX	
	01 = 1 Pole 02 = 2 Pole	Blank - No hardware UH - All nuts shipped bulk AH- All nuts assembled DL - Assembled barrier side, remainder shipped bulk



CONTACT

Marathon Special Products
427 Van Camp Road
P.O. Box 468
Bowling Green, Ohio 43402

tel: 419-352-8441
fax: 419-352-0875
email: marketing@marathonsp.com

CUSTOMER SERVICE HOURS

Mon-Fri 8am-5pm EST

LINKS

[About Us](#)

[Contact Us](#)

[Terms & Conditions](#)

[Locate a Distributor](#)

ABOUT

Marathon Special Products is an industry leader for supplying power blocks, terminal blocks, and fuse holders in North America. We've achieved this by providing one of the broadest line offerings with various sizes, terminal styles, electrical ratings and features.

REGAL