

# FUSE BLOCKS MODULAR STUD TYPE WITH COVER

The modular stud type design that enables easy mounting in panel boards. The new MFH series are also slide lockable for multiple pole applications and they have a clear terminal protection cover.

**Features:**

- Modular stud type design enables easy mounting in panel boards.
- Slide lockable for multiple pole applications.
- Modular design reduces inventory requirements.
- Clear terminal covers.
- Supplied with nut and Belleville washer.
- Up to 200kA short-circuit withstand rating.
- Suitable for both Vac and Vdc applications.



Part Number	Ampere Rating	Voltage Rating	S.C. Rating	Terminal Stud Size Imperial	Terminal Stud Size Metric
MFH6063DDCH	600A	600VAC/DC	200kA	3/8"-16	(9.52mm)
MFH6153DDCH	600A	1500VAC/DC	10kA	3/8"-16	(9.52mm)
MFH8065FFCH	800A	600VAC/DC	200kA	1/2"-13	(12.7mm)
MFH8155FFCH	800A	1500VAC/DC	10kA	1/2"-13	(12.7mm)

Slide Locks    Product Label

**MFH Series Blocks**  
(refer ordering info.)

**Cover Material:** Clear thermoplastic.

**Base Material:** Black Thermoplastic.

**Terminal Material:** Steel, Zinc Plated.

**Pack Size (box):** 1

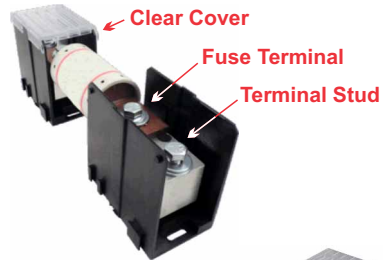
**Fastener Mtg Size:** # 10

**Ordering Information:** Each fuse requires 2 blocks.

The MFH series are sold as single blocks (order 2 blocks per fuse).

**Notes:** Fuse not included.

**Approvals:**



**Please refer to page 2 for Fuse Compatibility Reference**  
**Please refer to page 3 for Fuse Block Dimensions**



**MFH6063DDCH**

## FUSE COMPATIBILITY REFERENCE

Fuse Series	Amp Range	MFH6063DDCH	MFH6153DDCH	MFH8065FFCH	MFH8155FFCH
250GG	160A - 200A	X	X		
4-GG*	630A - 800A			X	X
4-NB*	630A - 800A			X	X
4-SB	630A - 800A			X	X
DFJ	225A - 400A	X	X		
DFJ	450A - 600A	X	X	X	X
FBT	35A - 500A	X	X		
FM	180A - 350A	X	X		
FMM	400A - 600A	X	X		
FWA	500A - 600A	X	X		
FWH	225A - 600A	X	X		
FWH	700A - 800A			X	X
FWJ	125A - 400A		X		
FWJ	500A - 600A		X		X
FWJ	800A - 800A				X
FWP	125A - 400A		X		
FWP	450A - 600A		X		X
FWP	700A - 800A				X
FWX	225A - 600A	X	X		
JJN	225A - 600A	X	X		
JJN	700A - 800A			X	X
JJS	225A - 600A	X	X		
JJS	700A - 800A			X	X
JKS	225A - 400A	X	X		
JKS	450A - 600A	X	X	X	X
KRPC	601A - 800A			X	X
LMMT	400A - 600A	X	X		
LMT	160A - 450A	X	X		
LPJ...SP	225A - 400A	X	X		
LPJ...SP	450A - 600A	X	X	X	X
MMT	180A - 600A	X	X		
MT	160A - 355A	X	X		
PV...ANH2-B	160A - 250A	X	X		
PV...ANH3-B	315A - 400A	X	X		
TPL / L17T	300A - 600A	X	X		

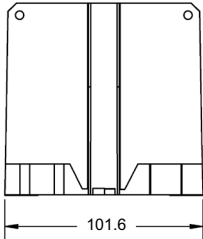
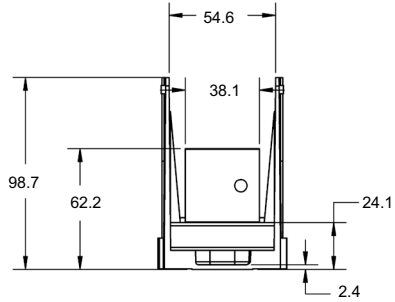
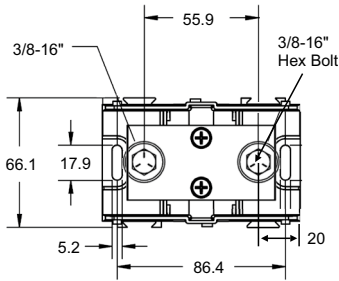
### Notes:

\* Compatibility to be confirmed

PV...ANH1-B is not compatible with these blocks, please use FSM25E blocks

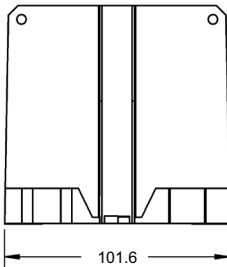
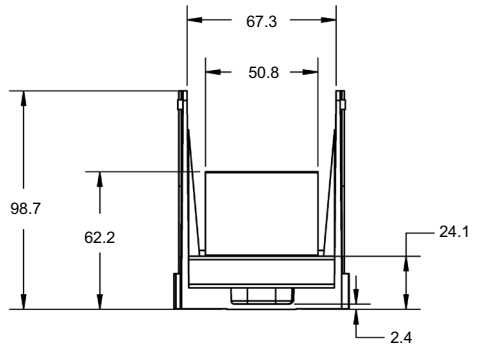
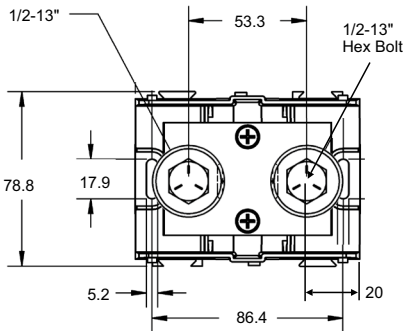
**Not all recommended holders may be suitable for your circuit.  
Please check the holder specifications are suitable for your fuse.**

## DIMENSIONS FOR MFH6.. BLOCK



Dimensions in MM

## DIMENSIONS FOR MFH8.. BLOCK



Dimensions in MM