

Product Data Sheet



2697 GP XX

Replace "XX" with 01 through 24 for number of poles

Terminal Block– Open Back
20 Amps, 300 Volts (AC/DC)



(6 Pole shown)

Copper Wire Only

Wire Range with Wire Binding Screw: #12 - 22 AWG Stranded
#12 – 20 AWG Solid

7/16" Centers

Application torque: 9 in. lbs

Electrical Ratings:

- 20A with Listed ring lug or unprepared wire, (Based on NEC Table 310-16, 75°C columns)
- 300 Volts AC/DC (UL 1059 Class C, User Group – General Industrial)
- 250 Volts AC/DC (UL 1059 Class B, User Group – Commercial Appliances)
- Short Circuit Current Rating: 10,000A (Default)
- Approved for Factory Wiring.

Mechanical Ratings:

- Storage and transportation temperature range: -35°C to 110°C (-31°F to 230°F)*
- Maximum insulator base temperature: 150°C (302°F)* UL RTI
- Flammability rating of insulator base: UL 94V-1

* Use outside these ratings needs to be judged in the end-use application.

Materials:

- Terminals: Brass, tin plated.
- Insulator base: Phenolic
- Screw, #6-32 Binder head, Slotted: Brass, nickel plated

Agency Approvals:

- UL Recognized, UL 1059 Terminal Block Standard, File No. XCFR2.47811
- CSA Certified, CSA C22.2 No. 158, File No. LR19766
- CE compliant, IEC 60947-7-1
- RoHS Compliant

Wire Range:

Wire Size	Torque	Copper Wire Stranding Classes - Number of Strands		
		Solid	Class B	Class C
12	9.0 in. Lbs	1	7	19
14	9.0 in. Lbs	1	7	19
16	9.0 in. Lbs	1	7	19
18	9.0 in. Lbs	1	7	19
20	9.0 in. Lbs	1	7	19
22	9.0 in. Lbs		7	19

Suggested product mounting hardware: #6 fastener, torque to 10-15 in. lbs.

ACCESSORIES:

- Printing: for printing options, see Terminal Block Printing <http://marathonsp.com/CatalogPDFs/TBPrinting.pdf>

- Line to Line Jumper (J601) 

- Multiple position Jumper (601 RJ S) 

- Quick Connects

KT46



KT47



KT48



- Half Quick Connects

KT52



KT53

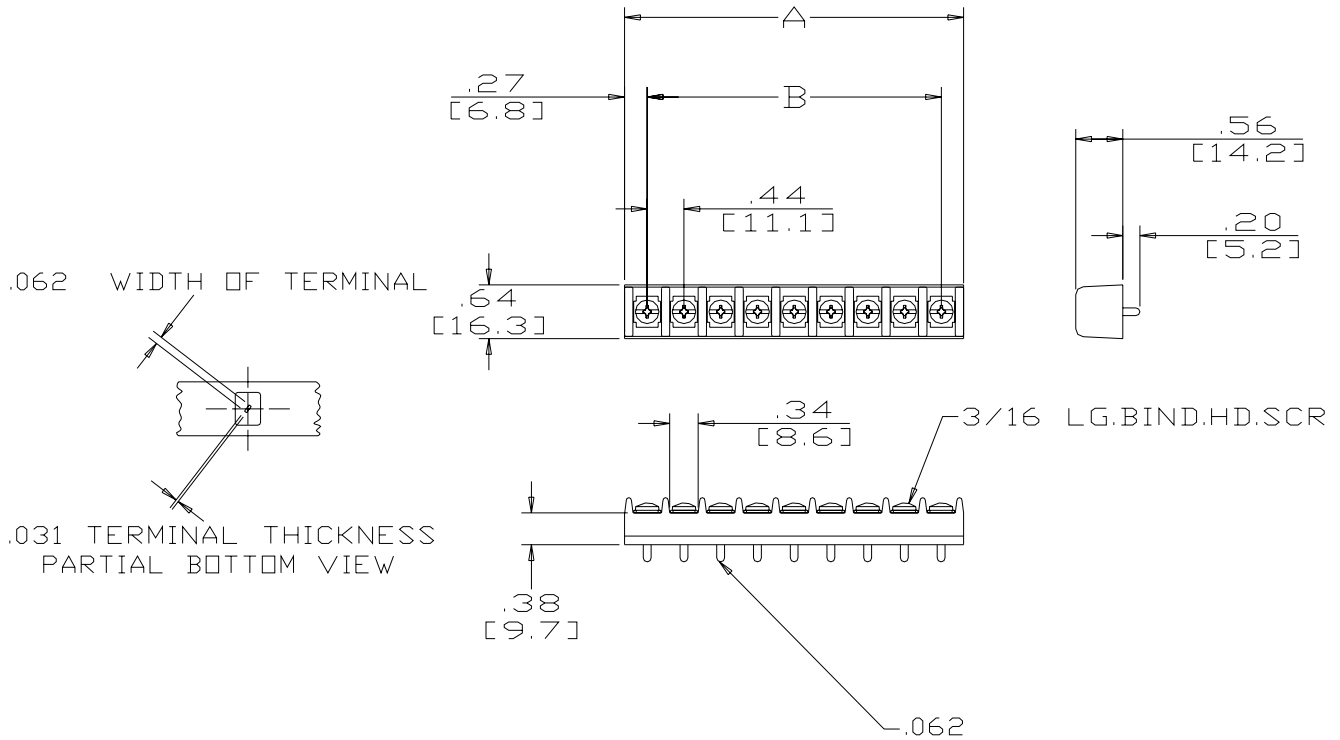


KT54



Tab width: 0.250
Tab thickness: 0.032

Accessory options may affect ratings – consult factory



WWW.MARATHONSP.COM

Catalog No	# of Poles	Dimensions		X	Catalog No	# of Poles	Dimensions	
		A	B				A	B
2697 GP 01	1	0.53		X	2697 GP 13	13	5.78	5.25
2697 GP 02	2	0.97	0.44	X	2697 GP 14	14	6.22	5.69
2697 GP 03	3	1.41	0.88	X	2697 GP 15	15	6.66	6.13
2697 GP 04	4	1.84	1.31	X	2697 GP 16	16	7.09	6.56
2697 GP 05	5	2.28	1.75	X	2697 GP 17	17	7.53	7.00
2697 GP 06	6	2.72	2.19	X	2697 GP 18	18	7.97	7.44
2697 GP 07	7	3.16	2.63	X	2697 GP 19	19	8.41	7.88
2697 GP 08	8	3.59	3.06	X	2697 GP 20	20	8.84	8.31
2697 GP 09	9	4.03	3.50	X	2697 GP 21	21	9.28	8.75
2697 GP 10	10	4.47	3.94	X	2697 GP 22	22	9.72	9.19
2697 GP 11	11	4.91	4.38	X	2697 GP 23	23	10.16	9.63
2697 GP 12	12	5.34	4.81	X	2697 GP 24	24	10.59	10.06

MM = Dim X 25.4

1-419-
352-
8441

PDS
0346
REV A
11/13/08