

Product Data Sheet



133X305 CH

Replace "X" with 1, 2 or 3 for number of poles

Power Splicer Block

350 Amps, 600 Volts (AC/DC)

1,000V AC/DC CE (IEC 60947-7-1)



Wire Range:

Line Side: (2) 2/0 - #14 AWG

Load Side: (2) 2/0 - #14 AWG

Electrical Ratings:

- 350A Copper wire, 270A Aluminum wire (Based on NEC Table 310-16, 75°C columns)
- CE Rated Voltage (U_i): 1,000 V AC/DC per IEC 60947-7-1
- Material Group: IIIa
- Pollution Degree: 3
- 600 Volts AC/DC (UL 1059 Class C, User Group - General Industrial)
- Factory and Field Wiring

Mechanical Ratings:

- Insulator base temperature rating: -40°C/F to 125°C (257°F) UL RTI
- Flammability rating of insulator base and cover: UL 94 V-0
- * Use outside these ratings needs to be judged in the end-use application.

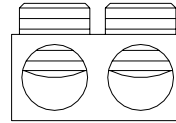
Materials:

- Connector: High conductive aluminum, tin plated
- Insulator base: Glass filled polycarbonate (thermoplastic)
- Terminal set screws: Aluminum, tin plated
- Connector mounting screw: Steel, zinc plated
- Hinged Cover: Glass filled polycarbonate (thermoplastic)

Agency Approvals:

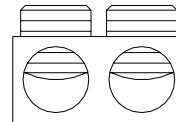
- UL Recognized, UL 1059 Terminal Block Standard, File No. XCFR2.E62806
- CSA Certified, CSA C22.2 No. 158, File No. LR19766 (Wire Classes B & C only)
- CE compliant to IEC 60947-7-1
- RoHS Compliant

**Wire Approvals:
Line Side Wire Approvals:**



		Copper Wire Stranding Classes - Number of Conductors						
Wire Size	Torque	Solid	Class B	Class C	Class G	Class H	Class I/DLO	Class K
2/0 AWG	120 in. lbs		1	1				
1/0	120 in. lbs		1	1				
1	120 in. lbs		1	1	1	1	1	1
2	120 in. lbs		1	1	1	1	1	1
4	120 in. lbs		1	1	1	1	1	1
6	120 in. lbs		1	1	1	1	1	1
8	40 in. lbs		1	1	1	1	1	1
10	35 in. lbs	1	1	1			1	1
12	35 in. lbs	1	1	1			1	1
14	35 in. lbs	1	1	1			1	1

Aluminum stranded wire range: 2/0kcmil - #6 AWG



Load Side Wire Approvals:

		Copper Wire Stranding Classes - Number of Conductors						
Wire Size	Torque	Solid	Class B	Class C	Class G	Class H	Class I/DLO	Class K
2/0 AWG	120 in. lbs		1	1				
1/0	120 in. lbs		1	1				
1	120 in. lbs		1	1	1	1	1	1
2	120 in. lbs		1	1	1	1	1	1
4	120 in. lbs		1	1	1	1	1	1
6	120 in. lbs		1 or 2*	1 or 2*	1	1	1	1
8	40 in. lbs		1 or 2*	1 or 2*	1	1	1	1
10	35 in. lbs	1	1 or 2*	1 or 2*			1	1
12	35 in. lbs	1	1 or 2*	1 or 2*			1	1
14	35 in. lbs	1	1 or 2*	1 or 2*			1	1

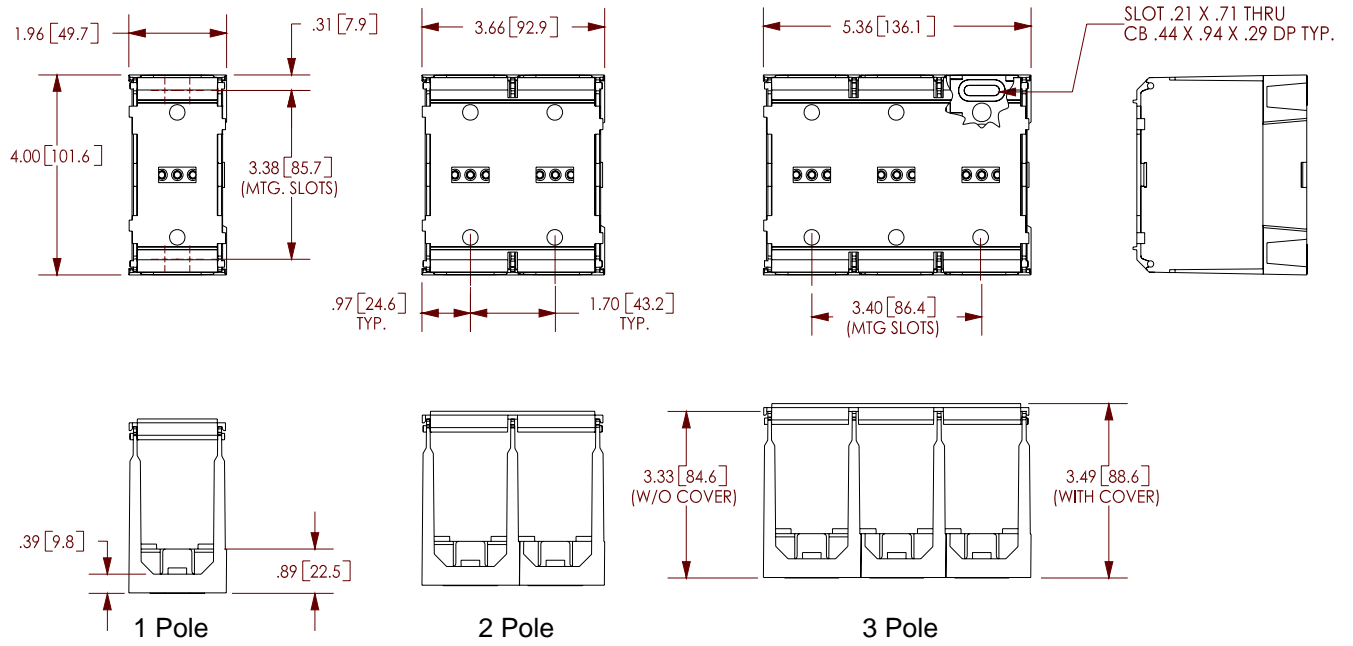
* Multiple wire approvals for LOAD side only (copper wire only). Conductors must be same gage wire size.

Aluminum stranded wire range: 2/0kcmil - #8 AWG

- Wire strip length, line and load side taps – 1 1/16”
- Hex key required : 5/16”
- Panel mountable: #10 fastener, torque to 25-30 in. lbs.

Accessories:

- Marker Strips. Printing available. Consult Customer Service.



WWW.MARATHONSP.COM
1-419-352-8441