

Product Data Sheet



133X564 CH

Replace "X" with 1, 2 or 3 for number of poles

Power Stud Block

310 Amps, 600 Volts (AC/DC)

Copper Wire only

Wire Range:

Line side: M10 X 30 Stud

Load Side: M10 X 30 Stud



Electrical Ratings:

- 310A Copper wire, 310A Aluminum wire (Based on NEC Table 310-16, 75°C columns)
- 600 Volts AC/DC (UL 1059 Class C, User Group - General Industrial)
- Factory Wiring

Mechanical Ratings:

- Maximum insulator base temperature: 125°C (257°F) UL RTI
 - Storage and transportation temperature range: -35°C to 110°C (-31°F to 230°F)
 - Flammability rating of insulator base: UL 94 V-0
- * Use outside these ratings needs to be judged in the end-use application.

Materials:

- Connector (Busbar): Copper, tin plated
- Insulator base: glass filled polycarbonate (thermoplastic)
- Hinged Cover: glass filled polycarbonate (thermoplastic)
- Studs: Steel, nickel plated
- Nuts: Steel, zinc plated (supplied loose)
- Washers: Steel, zinc plated (supplied loose)
- Connector mounting screws: Steel, zinc plated

Agency Approvals:

- UL Recognized, UL 1059 Terminal Block Standard, File No. XCFR2.E62806
- CSA Certified, CSA C22.2 No. 158, File No. LR19766 (Wire Classes B & C only)
- CE compliant to IEC 60947-7-1
- RoHS Compliant

Wire Approvals:

Line and Load Side Torque Approvals:

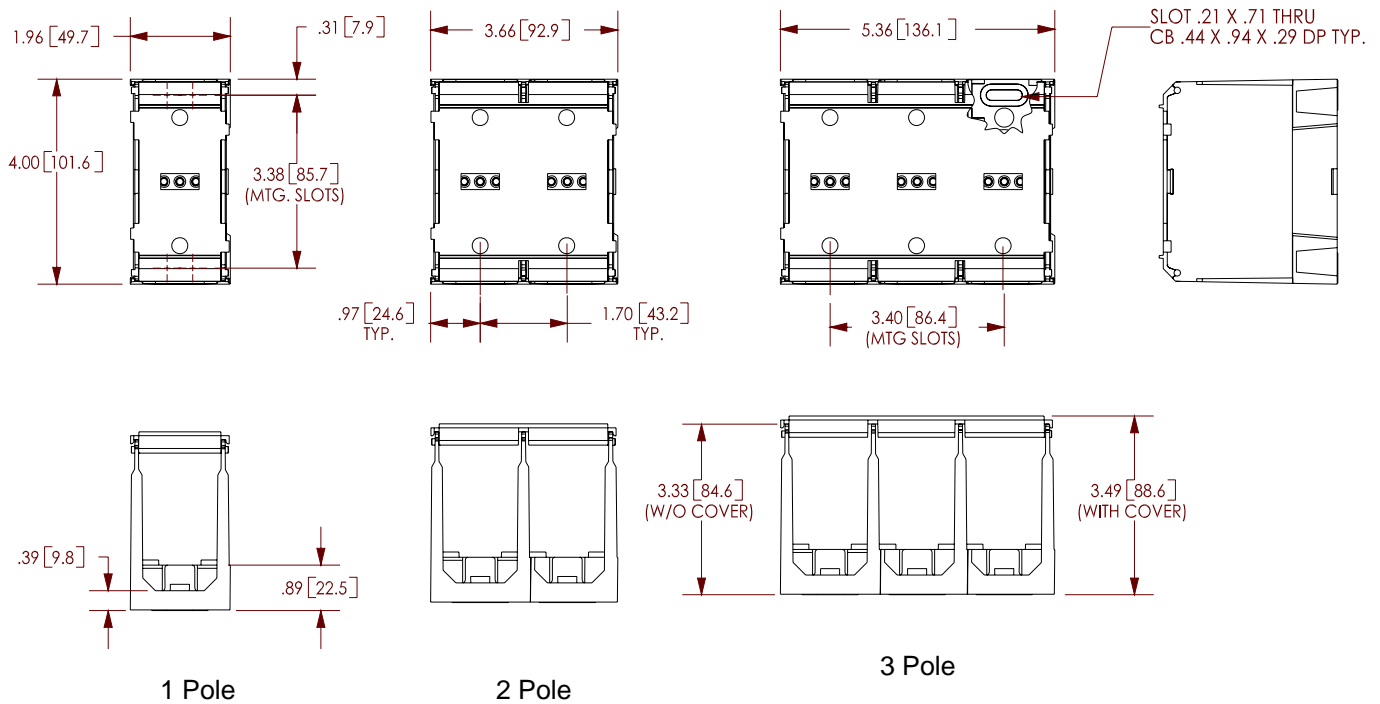
M10 X 40 Stud: 192 in. lbs



- Panel mountable: #10 fastener, torque to 25-30 in. lbs.

Accessories:

- Marker Strips. Printing available. Consult factory.



WWW.MARATHONSP.COM

1-419-352-8441

PDS 0326 REV A 08/14/08