



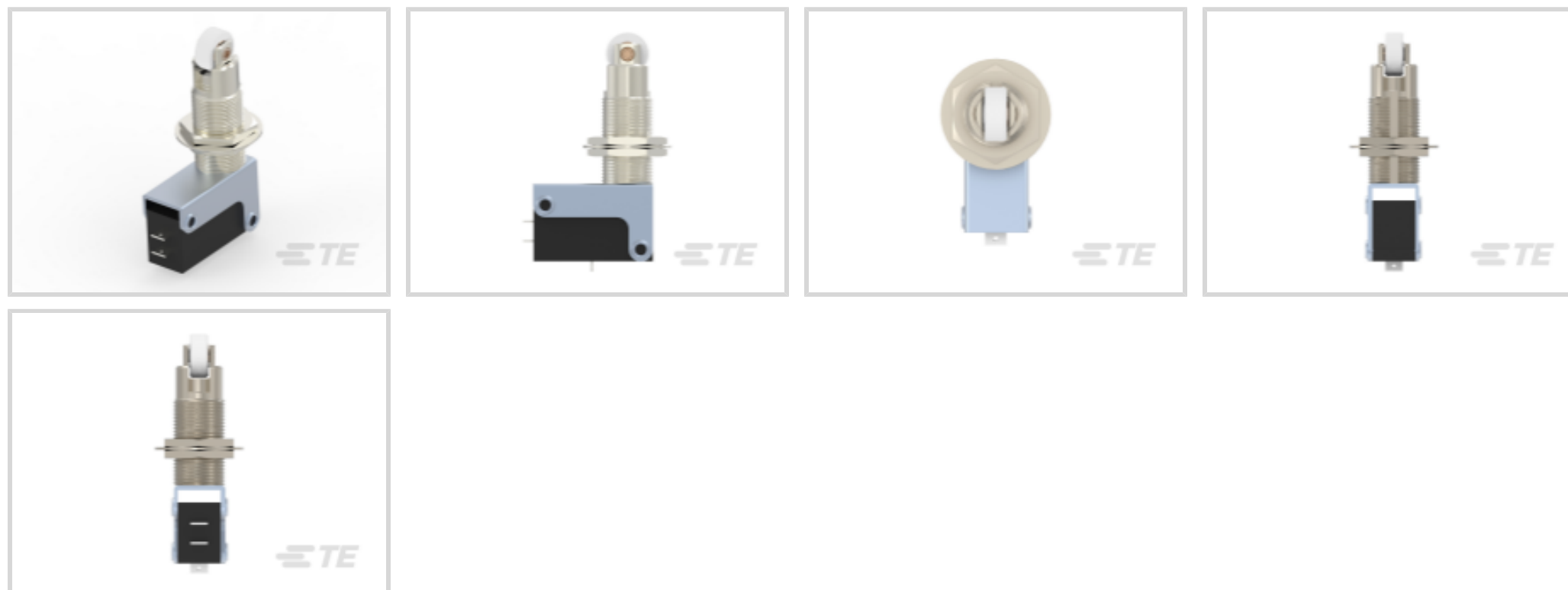
KISSLING | KISSLING Microswitch

TE Internal #: K1150148

10 A Snap Action Switch, Single Pole - Double Throw Configuration (Pole-Throw), Wheel Actuator, 24 VDC, 250 VAC, Vertical, Micro, KISSLING Microswitch

[View on TE.com >](#)

Switches > Snap Action Switches



Contact Current Rating: **10 A**

Configuration (Pole-Throw): **Single Pole - Double Throw**

Actuator Style: **Wheel Actuator**

Operating Voltage: **24 VDC**

Features

Product Type Features

Actuator Style	Wheel Actuator
Switch Style	Micro
Switch Connection Type	Solder

Configuration Features

Configuration (Pole-Throw)	Single Pole - Double Throw
----------------------------	----------------------------

Electrical Characteristics

Contact Current Rating	10 A
Operating Voltage	24 VDC

Body Features

Product Orientation	Vertical
---------------------	----------

Industry Standards

IP Rating	IP40
-----------	------

Product Compliance

[For compliance documentation, visit the product page on TE.com>](#)



EU RoHS Directive 2011/65/EU	Not Yet Reviewed
EU ELV Directive 2000/53/EC	Not Yet Reviewed
China RoHS 2 Directive MIIT Order No 32, 2016	Not reviewed for China RoHS compliance
EU REACH Regulation (EC) No. 1907/2006	<p>Current ECHA Candidate List: JAN 2025 (247)</p> <p>Candidate List Declared Against: JAN 2025 (247)</p> <p>SVHC > Threshold: Pb (3.5% in Component Part)</p> <p>Article Safe Usage Statements: Do not eat, drink or smoke when using this product. Wash thoroughly after handling. Recycle if possible and dispose of the article by following all applicable governmental regulations relevant to your geographic location.</p>
Halogen Content	Not Yet Reviewed for halogen content
Solder Process Capability	Not reviewed for solder process capability

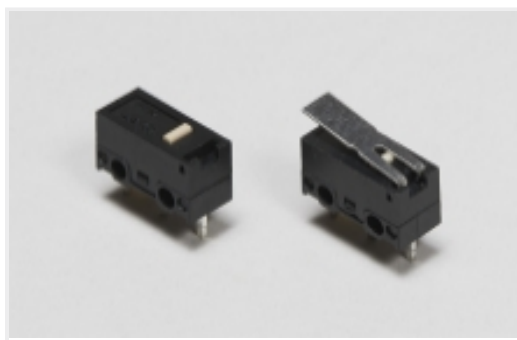
Product Compliance Disclaimer

This information is provided based on reasonable inquiry of our suppliers and represents our current actual knowledge based on the information they provided. This information is subject to change. The part numbers that TE has identified as EU RoHS compliant have a maximum concentration of 0.1% by weight in homogenous materials for lead, hexavalent chromium, mercury, PBB, PBDE, DBP, BBP, DEHP, DIBP, and 0.01% for cadmium, or qualify for an exemption to these limits as defined in the Annexes of Directive 2011/65/EU (RoHS2). Finished electrical and electronic equipment products will be CE marked as required by Directive 2011/65/EU. Components may not be CE marked. Additionally, the part numbers that TE has identified as EU ELV compliant have a maximum concentration of 0.1% by weight in homogenous materials for lead, hexavalent chromium, and mercury, and 0.01% for cadmium, or qualify for an exemption to these limits as defined in the Annexes of Directive 2000/53/EC (ELV). Regarding the REACH Regulations, TE's information on SVHC in articles for this part number is still based on the European Chemical Agency (ECHA) 'Guidance on requirements for substances in articles' (Version: 2, April 2011), applying the 0.1% weight on weight concentration threshold at the finished product level. TE is aware of the European Court of Justice ruling of September 10th, 2015 also known as O5A (Once An Article Always An Article) stating that, in case of 'complex object', the threshold for a SVHC must be applied to both the product as a whole and simultaneously to each of the articles forming part of its composition. TE has evaluated this ruling based on the new ECHA "Guidance on requirements for substances in articles" (June 2017, version 4.0) and will be updating its statements accordingly.

Compatible Parts

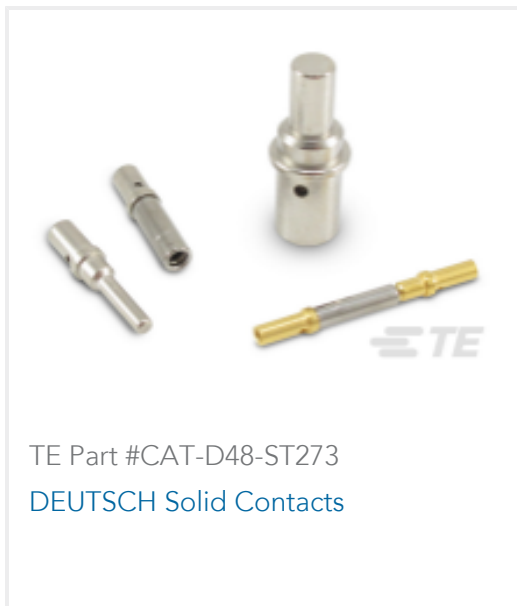


Also in the Series | KISSLING Microswitch



Snap Action Switches(94)

Customers Also Bought



TE Part #CAT-D48-ST273
DEUTSCH Solid Contacts



TE Part #CAT-D487-W416
Wedgelocks: DEUTSCH DT



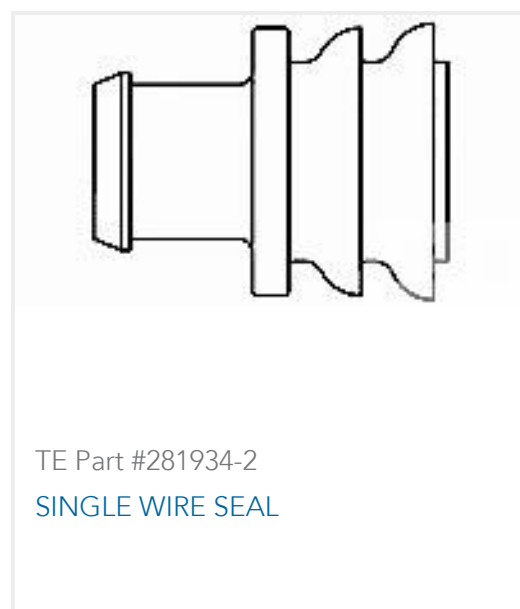
TE Part #DT06-2S
PLG, 2P, GRY, N



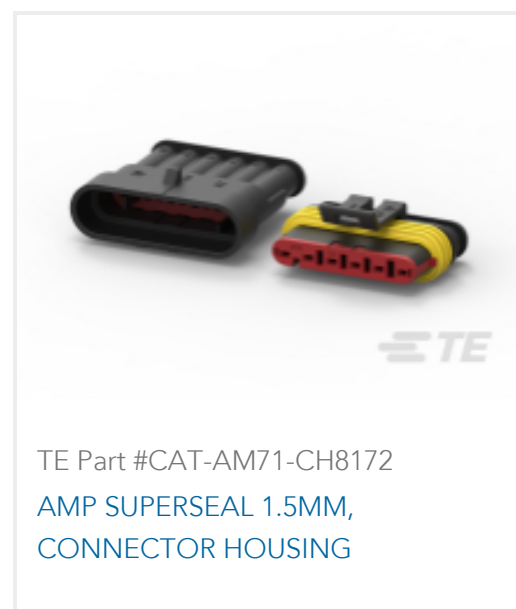
TE Part #DT04-2P
REC, 2P, GRY, N



TE Part #114017-ZZ
SEALING PLUG, SIZE 12/16, WHT



TE Part #281934-2
SINGLE WIRE SEAL



TE Part #CAT-AM71-CH8172
AMP SUPERSEAL 1.5MM,
CONNECTOR HOUSING

Documents

Product Drawings

[Micro Switch MZD1 041 302](#)

English

CAD Files

Customer View Model

[ENG_CVM_CVM_MZD1_041_302_1.2d_dxf.zip](#)

English

Customer View Model

[ENG_CVM_CVM_MZD1_041_302_1.3d_igs.zip](#)

English

Customer View Model

[ENG_CVM_CVM_MZD1_041_302_1.3d_stp.zip](#)

English

3D PDF

3D

By downloading the CAD file I accept and agree to the [Terms and Conditions](#) of use.

MZD1 041 302

10 A Snap Action Switch, Single Pole - Double Throw Configuration (Pole-Throw),
Wheel Actuator, 24 VDC, 250 VAC, Vertical, Micro, KISSLING Microswitch



[Datasheets & Catalog Pages](#)

[Micro Switch MZD1 041 302](#)

English