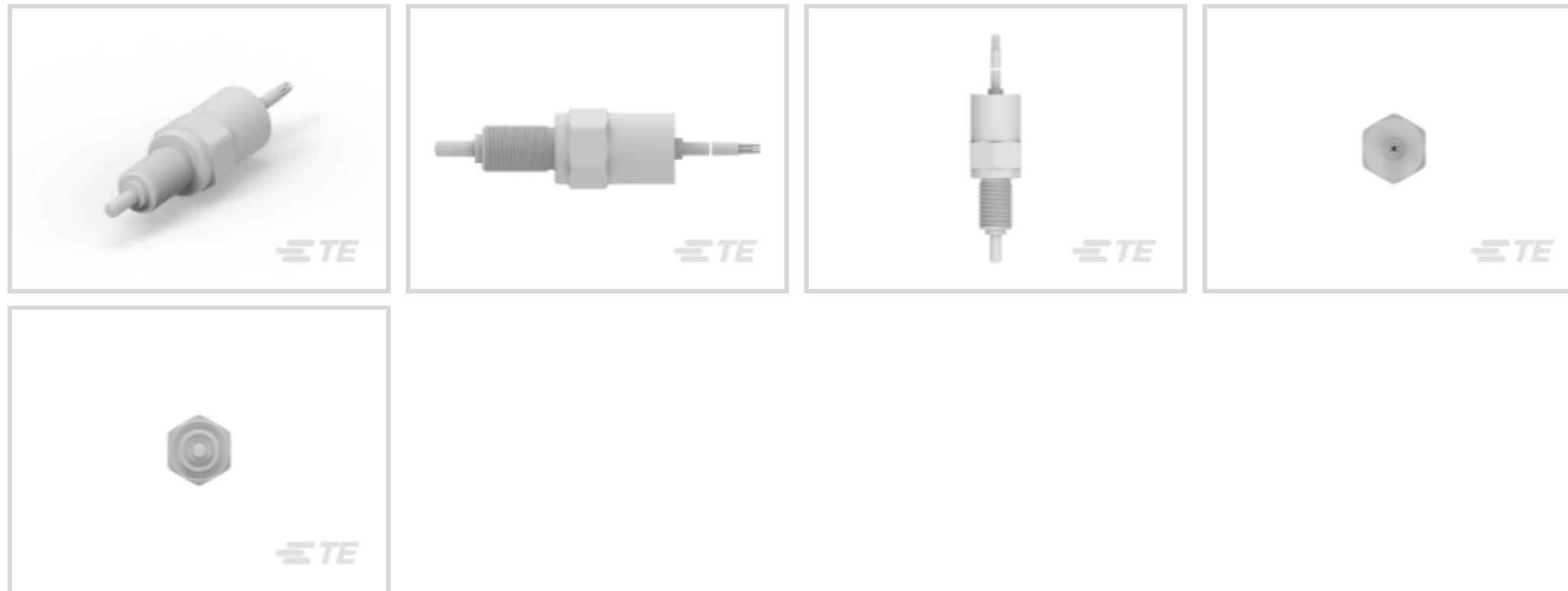


TE Internal #: K1143591
 Plunger Switch, Double Pole - Double Throw Configuration (Pole-Throw), Single Actuator, Extended Actuator, Snap Action, Tactile Feedback, 9 – 32 VDC

[View on TE.com >](#)



Switches > Push Button Switches



Configuration (Pole-Throw): **Double Pole - Double Throw**

Push Button Switch Product Type: **Plunger Switch**

Number of Actuators: **Single**

Actuator Profile: **Extended**

Bushing Style: **Threaded**

Features

Product Type Features

Push Button Switch Product Type	Plunger Switch
Illuminated	Without
Actuator Style	Plunger

Configuration Features

Configuration (Pole-Throw)	Double Pole - Double Throw
Number of Actuators	Single
Snap Action	With
Support Bracket	Without
Switch Feedback Type	Tactile

Electrical Characteristics

Operating Voltage Range	9 – 32 VDC
-------------------------	------------

Body Features

Actuator Profile	Extended
Bushing Style	Threaded



Bushing Thread Size	M18 x 1.5
---------------------	-----------

Contact Features

Switch Contact Plating Material	Silver Alloy
---------------------------------	--------------

Product Compliance

[For compliance documentation, visit the product page on TE.com>](#)

EU RoHS Directive 2011/65/EU	Not Compliant
------------------------------	---------------

EU ELV Directive 2000/53/EC	Not Yet Reviewed
-----------------------------	------------------

China RoHS 2 Directive MIIT Order No 32, 2016	有害物质含量超出标准 Restricted Substance(s) Above Threshold
---	--

EU REACH Regulation (EC) No. 1907/2006	<p>Current ECHA Candidate List: JUNE 2025 (250)</p> <p>Candidate List Declared Against: JUNE 2025 (250)</p> <p>SVHC > Threshold:</p> <p>Pb (8% in Component Part)</p> <p>Article Safe Usage Statements: Do not eat, drink or smoke when using this product. Wash thoroughly after handling. Recycle if possible and dispose of the article by following all applicable governmental regulations relevant to your geographic location.</p>
--	---

Halogen Content	Not Yet Reviewed for halogen content
-----------------	--------------------------------------

Solder Process Capability	Not reviewed for solder process capability
---------------------------	--

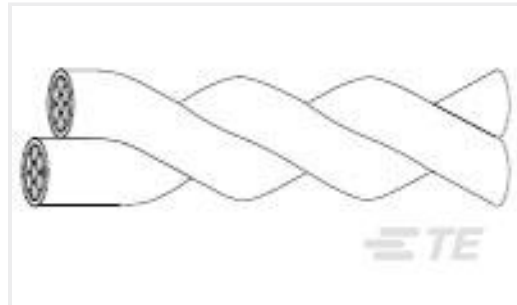
Product Compliance Disclaimer

This information is provided based on reasonable inquiry of our suppliers and represents our current actual knowledge based on the information they provided. This information is subject to change. The part numbers that TE has identified as EU RoHS compliant have a maximum concentration of 0.1% by weight in homogenous materials for lead, hexavalent chromium, mercury, PBB, PBDE, DBP, BBP, DEHP, DIBP, and 0.01% for cadmium, or qualify for an exemption to these limits as defined in the Annexes of Directive 2011/65/EU (RoHS2). Finished electrical and electronic equipment products will be CE marked as required by Directive 2011/65/EU. Components may not be CE marked. Additionally, the part numbers that TE has identified as EU ELV compliant have a maximum concentration of 0.1% by weight in homogenous materials for lead, hexavalent chromium, and mercury, and 0.01% for cadmium, or qualify for an exemption to these limits as defined in the Annexes of Directive 2000/53/EC (ELV). Regarding the REACH Regulations, TE's information on SVHC in articles for this part number is still based on the European Chemical Agency (ECHA) 'Guidance on requirements for substances in articles' (Version: 2, April 2011), applying the 0.1% weight on weight concentration threshold at the finished product level. TE is aware of the European Court of Justice ruling of September 10th, 2015 also known as O5A (Once An Article Always An Article) stating that, in case of 'complex object', the threshold for a SVHC must be applied to both the product as a whole and simultaneously to each of the articles forming part of its composition. TE has evaluated this ruling based on the new ECHA "Guidance on requirements for substances in articles" (June 2017, version 4.0) and will be updating its statements accordingly.

Customers Also Bought



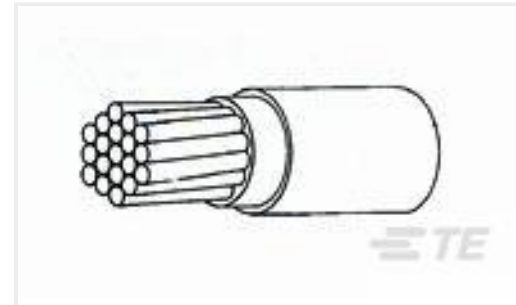
TE Part #9539193001
VG-95218-T024-K007



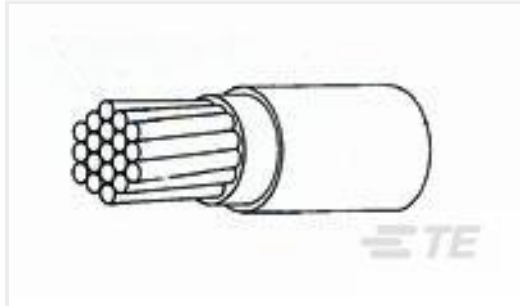
TE Part #3823313006
44A0121-22-0/9



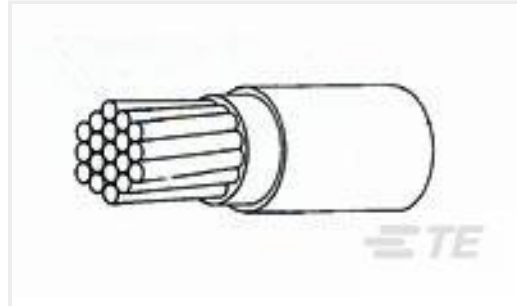
TE Part #9573853001
VG-95218-T025-G001



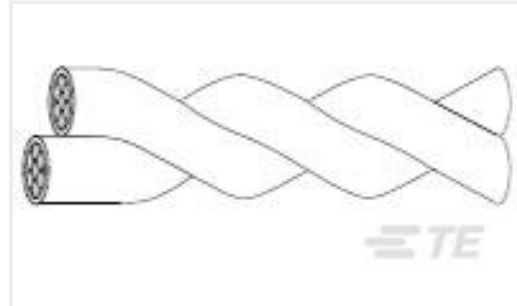
TE Part #2820333007
44A0111-22-3



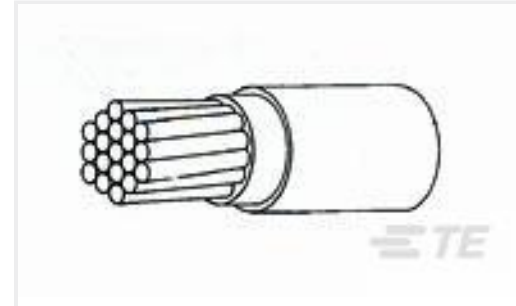
TE Part #2822633004
44A0111-12-2



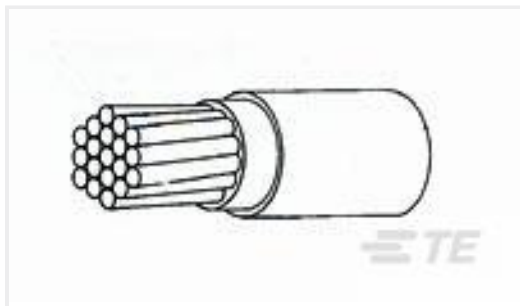
TE Part #282256-004
81044/12-22-9



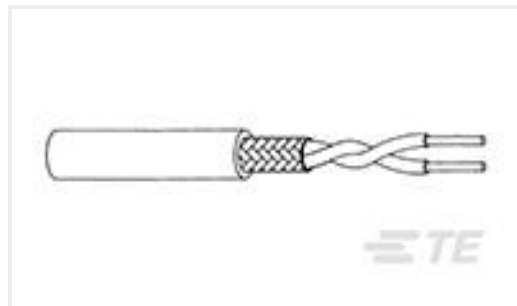
TE Part #3823823004
44A0121-20-0/9



TE Part #265047-001
81044/9-4-9



TE Part #4652323001
44A0111-22-0CK0001



TE Part #4451903001
0024A0311-0

Documents

Product Drawings

Plunger Switch 44-03-003

German

CAD Files

3D PDF

3D

Customer View Model

[ENG_CVM_CVM_K1143591_1.2d_dxf.zip](#)

English

Customer View Model

[ENG_CVM_CVM_K1143591_1.3d_igs.zip](#)

English

Customer View Model

[ENG_CVM_CVM_K1143591_1.3d_stp.zip](#)

English

By downloading the CAD file I accept and agree to the [Terms and Conditions](#) of use.

Datasheets & Catalog Pages

44-03-003

Plunger Switch, Double Pole - Double Throw Configuration (Pole-Throw), Single Actuator, Extended Actuator, Snap Action, Tactile Feedback, 9 – 32 VDC



Plunger Switch 44-03-003

English