



KISSLING PLUNGER SWITCH

Series 44 - from TE Connectivity (TE)

Switch for different gear applications

The Series 44 switches were developed using our competence and know-how gathered over decades of manufacturing long-life switches to meet even the most difficult operating requirements.

Series 44 plunger switches are designed and constructed to meet high temperature and vibration requirements. The robust design features IP6K9K environmental sealing and high reliability shaft and have undergone long life testing for over 2 Million cycles.

Plunger derivatives permit vertical or angular attack. Various housing designs satisfy differing mounting conditions. Electrical interface is made by bayonet connector in respect to ISO 15170-1 (DIN 72585) or circular pins. Series 44 plunger switches are available in NO and NC contact configuration.

Function

A plunger switch is used to open and close a circuit when pressing the surface hardened actuating pin. Additional benefits on request include diagnostic functions and a 30 bar pressure sealing capability. Standard Sealing Specifications is 1 bar pressure.

Features

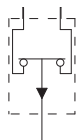
- Mechanical switches rated for 10mA - 50A at 9-32VDC
- Resistant against most oils, fuels, hydraulic, dust and solvents
- Vibration (5G) resistant
- Plunger designed to permit both vertical and angular actuation

Applications

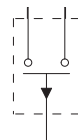
- Transmissions
- Drive trains and conveyor systems
- Specialized commercial vehicles
- Industrial equipment
- Marine applications

Switching function

NC- Contact



NO- Contact



KISSLING PLUNGER SWITCH

Series 44

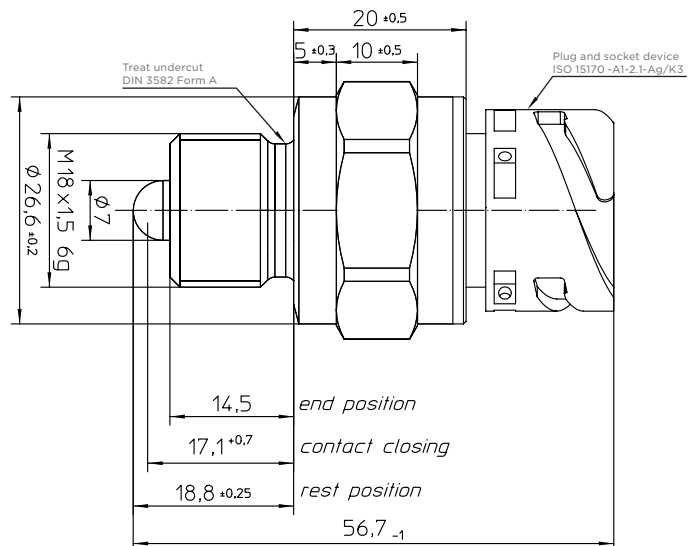
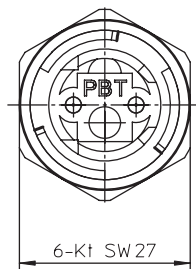
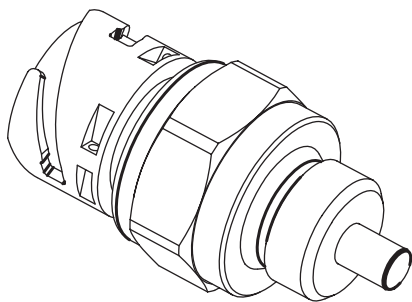
Specification

Technical Data

Temperature range	-40°C to +150°C
Housing Material	steel or brass
Insulating part	PA or PBT
Actuating pin	Surface hardened steel, nickel plated
Protection	IP6K9K
Vibration	min 5g / 100 to 1000Hz
Actuation	axial or side
Operating travel	optional 4 - 15mm
Operating force	optional 8 - 80N
Thread size	see list
Mechanical life	up to 2mio. cycles
Voltage range	9VDC - 32VDC
Continuous current	10mA - 10A

Dimensions with Bayonet Connector

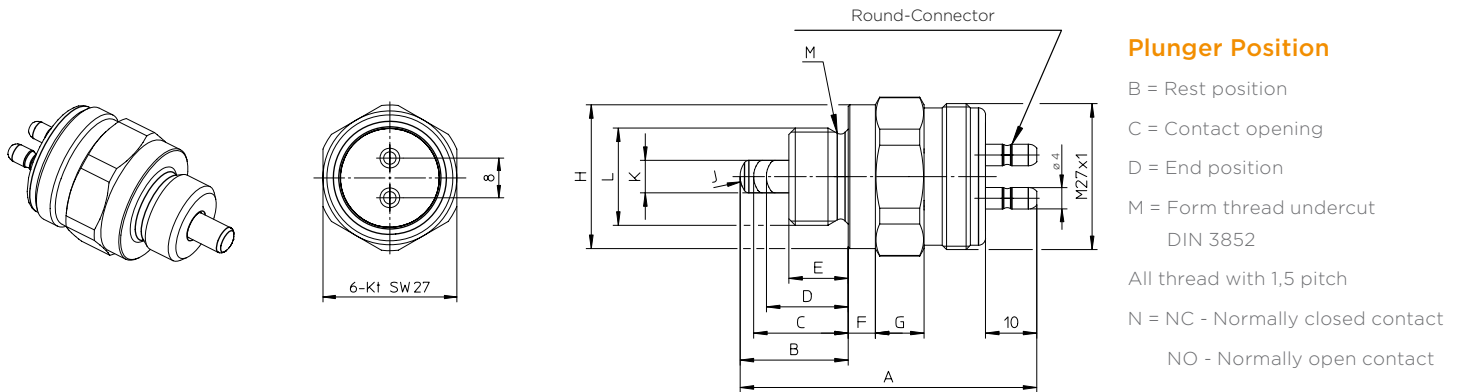
44-01-009



KISSLING PLUNGER SWITCH

Series 44

Dimensions with Round-Connector

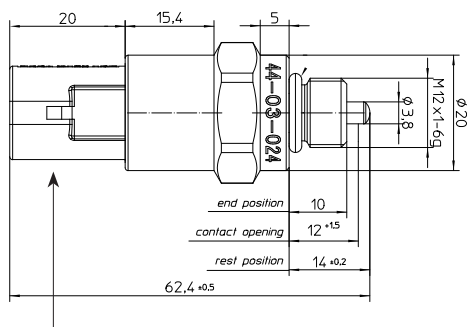


Plunger Position

- B = Rest position
- C = Contact opening
- D = End position
- M = Form thread undercut
DIN 3852
- All thread with 1,5 pitch
- N = NC - Normally closed contact
- NO - Normally open contact

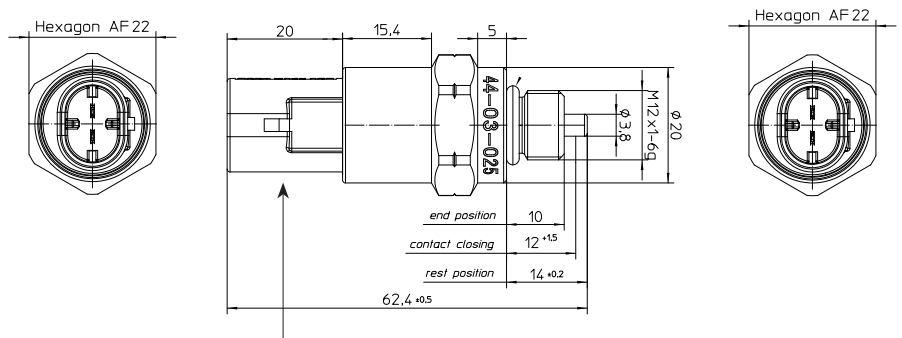
	A	B	C	D	E	F	G	H	J	K	L	M	N
44-02-049	50,8	12,0	10,3	8,0	8,0	8,5	10,0	∅ 20,0	R 3,5	∅ 7	M 12x1	-	NC
44-02-047	59,8	21,0	19,3	17,0	20,0	5,0	10,0	∅ 26,6	R 4,5	∅ 7	M 12x1	-	NC
44-02-048	50,8	18,8	17,1	14,5	14,5	5,0	6,6	∅ 26,6	R 3,5	∅ 7	M 20	-	NC
44-02-004	54,4	20,0	18,8	14,0	11,0	2,0	12,0	∅ 26,6	R 4,5	∅ 6	M 18	A	NC
44-02-046	58,0	20,0	18,3	15,0	12,0	3,0	8,0	∅ 35,8	Flach	∅ 6	M 30	B	NO
44-02-027	57,2	20,0	18,3	14,0	11,0	2,0	12,0	∅ 26,6	R 4,5	∅ 6	M 18	A	NO

44-03-024



Mating connector
AMP MCP 1.5K

44-03-025



Mating connector
AMP MCP 1.5K

te.com

TE Connectivity, TE, TE connectivity (logo), KISSLING (word) and AMP MCP are trademarks licensed or owned by the TE Connectivity family of companies. All other logos, products and/or company names referred to herein might be trademarks of their respective owners.

The information given herein, including drawings, illustrations and schematics which are intended for illustration purposes only, is believed to be reliable. However, TE Connectivity makes no warranties as to its accuracy or completeness and disclaims any liability in connection with its use. TE Connectivity's obligations shall only be as set forth in TE Connectivity's Standard Terms and Conditions of Sale for this product and in no case will TE Connectivity be liable for any incidental, indirect or consequential damages arising out of the sale, resale, use or misuse of the product. Users of TE Connectivity products should make their own evaluation to determine the suitability of each such product for the specific application.