

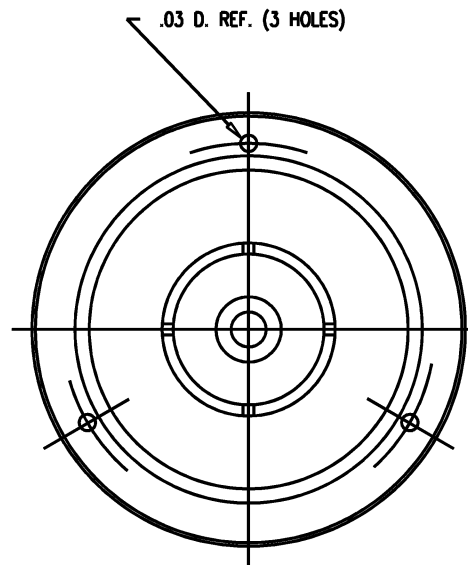
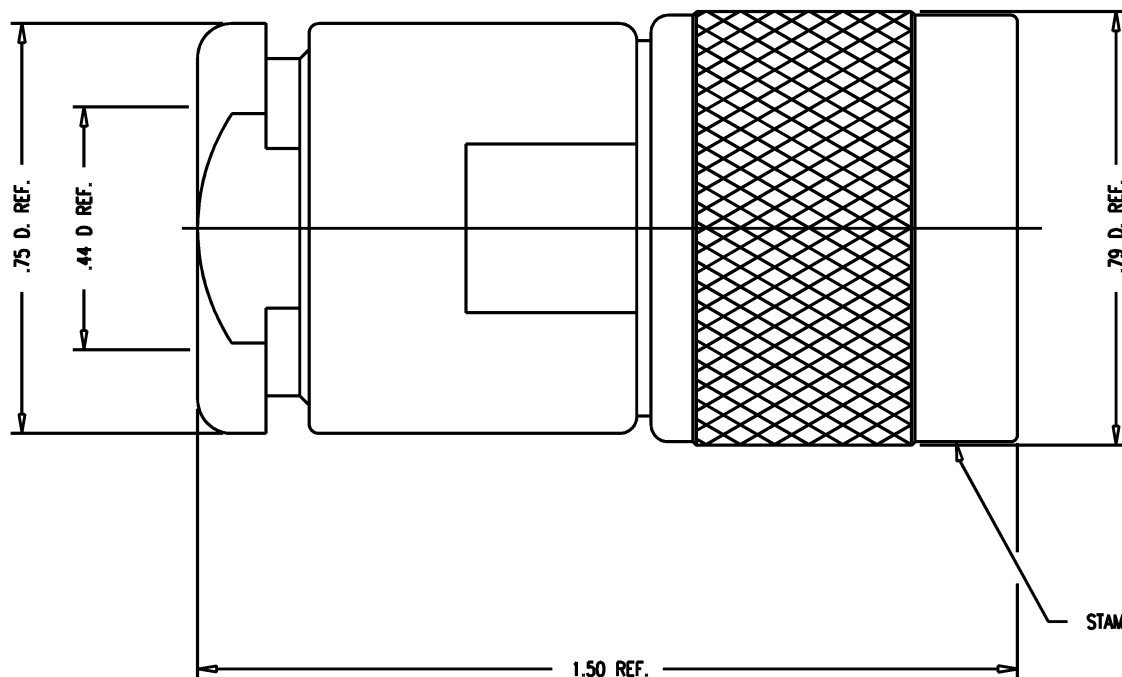
DASH NO.	M CODE	MADE FROM
----------	--------	-----------

# GSD

M39012/01-0005

### REVISIONS

ISSUE	CHANGES
6	CN 32243 A REDRAWN WJM 06/05/90



STAMP: 91836 M39012/01-0005 KN-59-176

XX XX  
DATE CODE

#### NOTES:

- FOR USE WITH RG-8,9,213 & 214/U CABLE GROUPS.
- FOR CABLING INSTRUCTIONS SEE CP-1016.

#### 3. MATERIALS:

INSULATORS: TEFLON, L-P-403  
 WASHER: BRASS, QQ-B-613  
 WASHER: COPPER, QQ-C-576  
 GASKETS: SILICONE RUBBER, ZZ-R-765  
 C-RING } PHOSPHOR BRONZE, QQ-B-750  
 OUTER CONTACT }  
 ALL OTHER METAL PARTS: BRASS, QQ-B-626

#### 4. FINISHES:

CENTER CONTACT: HARD GOLD PLATE, PER MIL-G-45204  
 ALL OTHER METAL PARTS: SILVER PLATE, QQ-S-365

#### 5. ELECTRICAL CHARACTERISTICS:

NOMINAL IMPEDANCE: 50 OHMS  
 WORKING VOLTAGE: 1000 VRMS  
 FREQUENCY RANGE: DC TO 11 GHz.

SCALE 4:1

APPROX SURFACE AREA

KN-59-176

USED ON

REF: SUPERSEDES UG-1185A/U

## N PLUG

DRAWN WJM DATE 06/05/90

DESIGN MJB DATE 06/06/90

APPR. DATE

**KINGS**  
 ELECTRONICS CO., INC.  
 TUCKAHOE, NEW YORK 10707

M39012/01-0005

# GSD