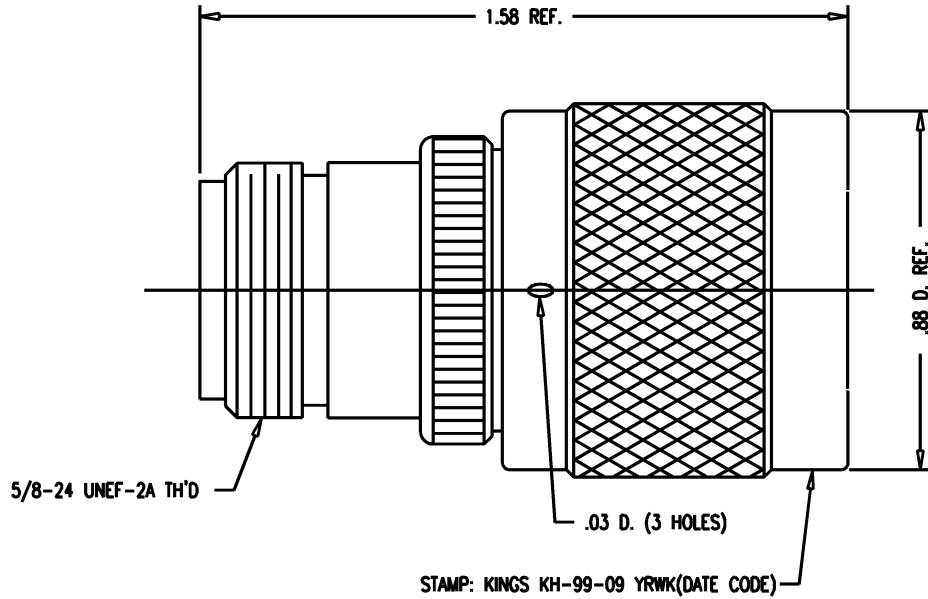


GSD

KH-99-09

REVISIONS

ISSUE	CHANGES
3	CN 34073 E REDRAWN JCA 08/06/92
4	CN 39383 E DRK 01/04/06



NOTES:

- INTERFACES PER MIL-STD-348, FIG. 304-2 & MIL-C-3643A.
- MATERIALS:
 - INSULATORS: TEFLON, ASTM-D-1457
 - GASKET: SILICONE RUBBER, ZZ-R-765
 - C-RING: PHOSPHOR BRONZE, QQ-B-750
 - CONTACT C-RING: COPPER WIRE, PER QQ-W-336
 - CENTER CONTACT } BER. COPPER, ASTM-B-196
 - OUTER CONTACT }
 - ALL OTHER METAL PARTS: BRASS, ASTM-B16
- FINISHES:
 - ALL METAL PARTS: SILVER PLATE, PER QQ-S-365
- ELECTRICAL CHARACTERISTICS:
 - NOMINAL IMPEDANCE: 50 OHMS
 - WORKING VOLTAGE: 1000 VRMS
 - FREQUENCY RANGE: DC TO 4 GHz

SCALE	3:1	
APPROX SURFACE AREA		
USED ON		
REF:	MCDONNELL DOUGLAS, MS4835-102	
ADAPTER, F-M, N-HN		
DRAWN	JCA	DATE 08/06/92
DESIGN	MJB	DATE 08/07/92
APPR.		DATE

KINGS
ELECTRONICS CO., INC.
ROCK HILL, SOUTH CAROLINA 29730

KH-99-09

GSD