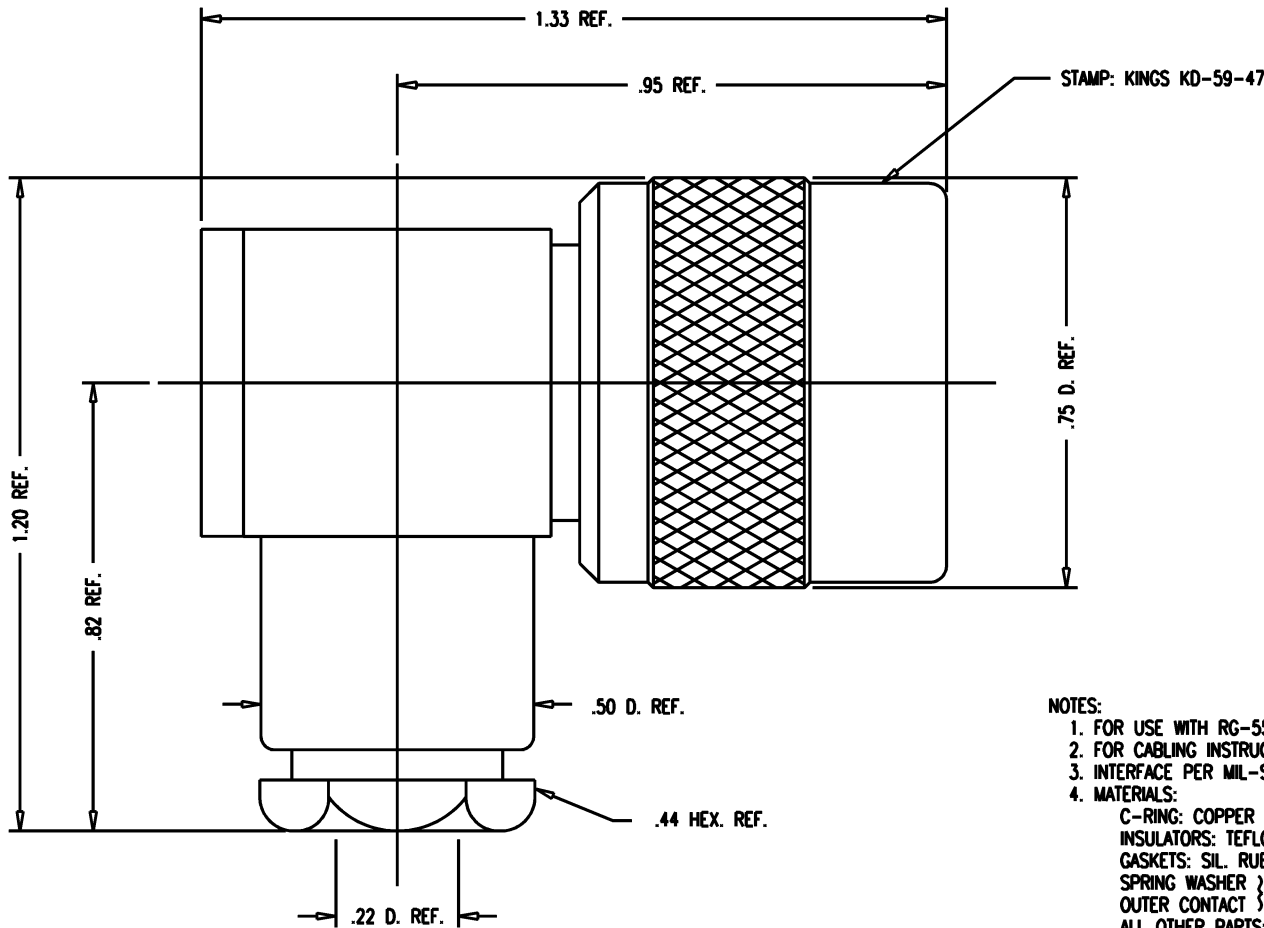


GSD

KD-59-47



NOTES:

1. FOR USE WITH RG-55, 58 & 223/U CABLES.
2. FOR CABLING INSTRUCTIONS SEE CP-1025.
3. INTERFACE PER MIL-STD-348, FIG. 302-1.
4. MATERIALS:
 C-RING: COPPER WIRE, QQ-W-336
 INSULATORS: TEFLON, ASTM-D-1457
 GASKETS: SIL. RUB., ZZ-R-765
 SPRING WASHER } BER. COP., QQ-C-530
 OUTER CONTACT }
 ALL OTHER PARTS: BRASS, ASTM-B16
5. FINISHES:
 ALL METAL PARTS: SILVER PLATE PER QQ-S-365
6. ELECTRICAL CHARACTERISTICS:
 NOMINAL IMPEDANCE: 50 OHMS
 FREQUENCY RANGE: DC TO 11 GHz
 VOLTAGE RATING: 1000 VRMS

REVISIONS

ISSUE	CHANGES
5	CN 34863 C REDRAWN KH 08/25/93
6	CN 34993 E KH 10/13/93

KAM3018

SCALE	4:1	
APPROX SURFACE AREA		
USED ON		
REF:		
PLUG, ANGLE, C		
DRAWN	KH	DATE 08/25/93
DESIGN	MJB	DATE 08/26/93
APPR.		DATE

KINGS
ELECTRONICS CO., INC.
TUCKAHOE, NEW YORK 10707

KD-59-47

GSD