

DASH NO. M CODE MADE FROM

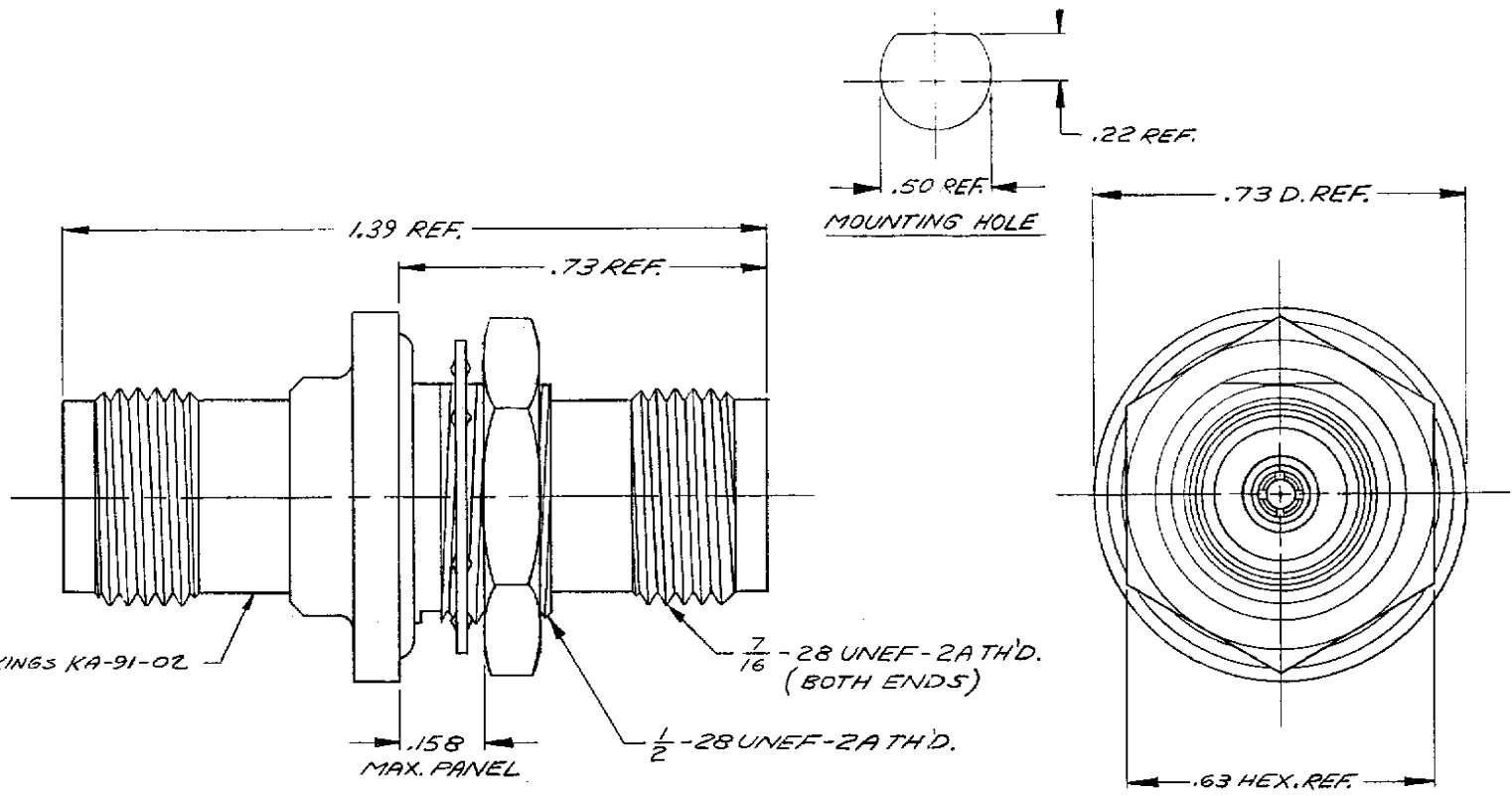
REVISIONS

ISSUE	CHANGES
4	CN 19024 C LX 6 MAR 79
5	CN 23929 C MD 9 NOV 82

KA-91-02

GSD

GSD



STAMP: KINGS KA-91-02

NOTES:

- MATERIALS:**
  - CENTER CONTACTS - BERYLLIUM COPPER, QQ-C-530.
  - GLASS - DOW CORNING EI #10.
  - GLASS SEAL BAND - CRS STEEL.
  - CENTER CONDUCTOR - NICKEL STEEL.
  - LOCKWASHER - PHOSPHOR BRONZE, QQ-P-330.
  - ALL OTHER METAL PARTS - BRASS, QQ-B-626.
  - INSULATORS - TEFLON, L-P-403.
  - O-RING - SYNTHETIC RUBBER GRADE RS-415 PER MIL-R-3065.
- FINISHES:**
  - GLASS SEAL (BAND & CENTER CONTACT) - HOT TIN DIP
  - CENTER CONTACTS - SILVER PLATE .0002 MIN. PER QQ-S-365
  - ALL OTHER METAL PARTS - SILVER PLATE .0001 MIN. PER QQ-S-365

- ELECTRICAL CHARACTERISTICS:**
  - NOMINAL IMPEDANCE - 50 Ω
  - FREQUENCY RANGE - DC TO 11GHz
  - WORKING VOLTAGE - 500 VOLTS RMS
- LEAKAGE RATE SHALL NOT EXCEED 10<sup>-7</sup> CC/SECOND OF TRACER GAS AT ATMOSPHERIC PRESSURE.**

UNLESS OTHERWISE SPECIFIED:

- |  |  |
|--|--|
| 1. TOLERANCES: FRACTIONS & 2 PLACE DECIMALS ± .010   | 2. REMOVE ALL BURRS, BREAK SHARP EDGES .005 MAX. |
| 3 PLACE DECIMALS ± .004  | 3. NO FILLETS PERMITTED.                         |
| ANGLES ± 0°30'   | 4. SURFACE ROUGHNESS 63 MICROINCHES RMS MAX.     |
| T. I. R. CONCENTRICITY OF ANY 2 DIAMETERS MAY NOT EXCEED HALF THE SUM OF THEIR TOLERANCES. | 5. ALL DIMENSIONS PRIOR TO PLATING.              |
|  | 6. ALL PLATING IN ACCORDANCE WITH KER 10004.     |

SCALE 4:1	
APPROX SURFACE AREA	
USED ON:	
REF	
TNC BULKHEAD ADAPTER F-F (HERM) SEALED	
DRAWN GL	DATE 16 NOV 81
APPR. MJB	DATE 19 NOV 81
KA-91-02	

GSD