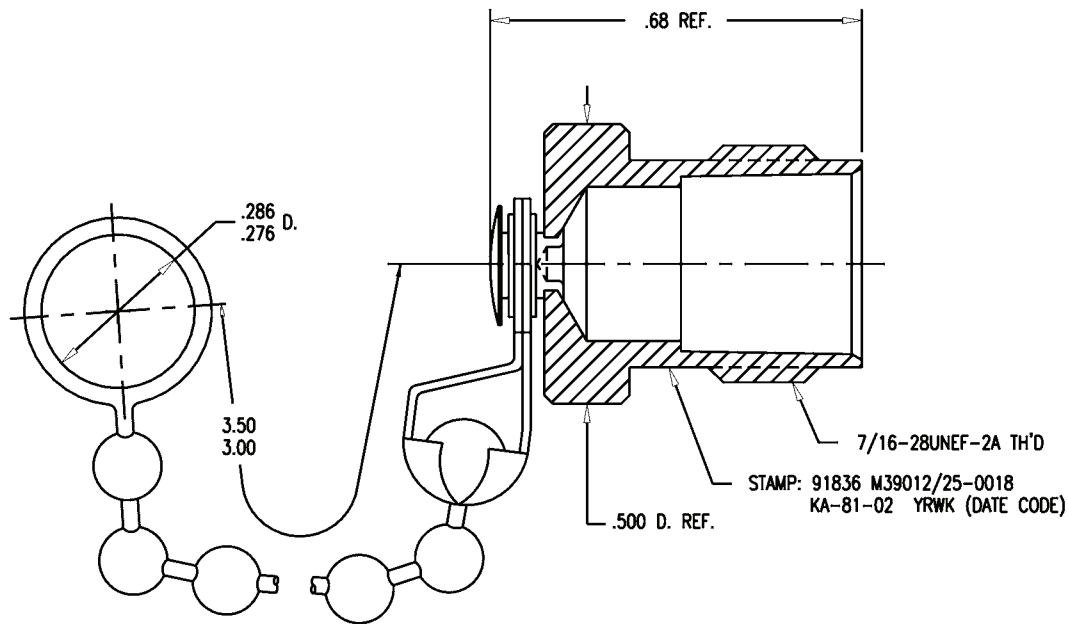


DASH NO.	M CODE	MADE FROM
----------	--------	-----------

GSD

M39012/25-0018

REVISIONS	
ISSUE	CHANGES
3	CN 17899 C VLS 04/24/78
4	CN 34538 A MJB 03/29/93
5	CN 39278 E TML 06/17/05



NOTES:

- MATERIALS:**
 BEAD CHAIN: STAINLESS STEEL
 ALL OTHER METAL PARTS: BRASS, ASTM-B16
- FINISHES:**
 BEAD CHAIN COUPLING } NICKEL PLATE, PER QQ-N-290
 BEAD CHAIN END RING }
 ALL OTHER METAL PARTS: SILVER PLATE, PER QQ-S-365
- MARK PACKAGE:** 91836 M39012/25-0018
 KINGS KA-81-02 YRWK (DATE CODE)
- WEIGHT:** 0.017 POUNDS

WJM1310

SCALE	4:1
APPROX SURFACE AREA	KA-81-02
USED ON	
REF:	
CAP & CHAIN, TNC, F	
DRAWN	MJB
DATE	03/29/93
DESIGN	DW
DATE	03/30/93
APPR.	
DATE	

KINGS
 ELECTRONICS CO., INC.
 ROCK HILL, SOUTH CAROLINA 29730

GSD

M39012/25-0018