

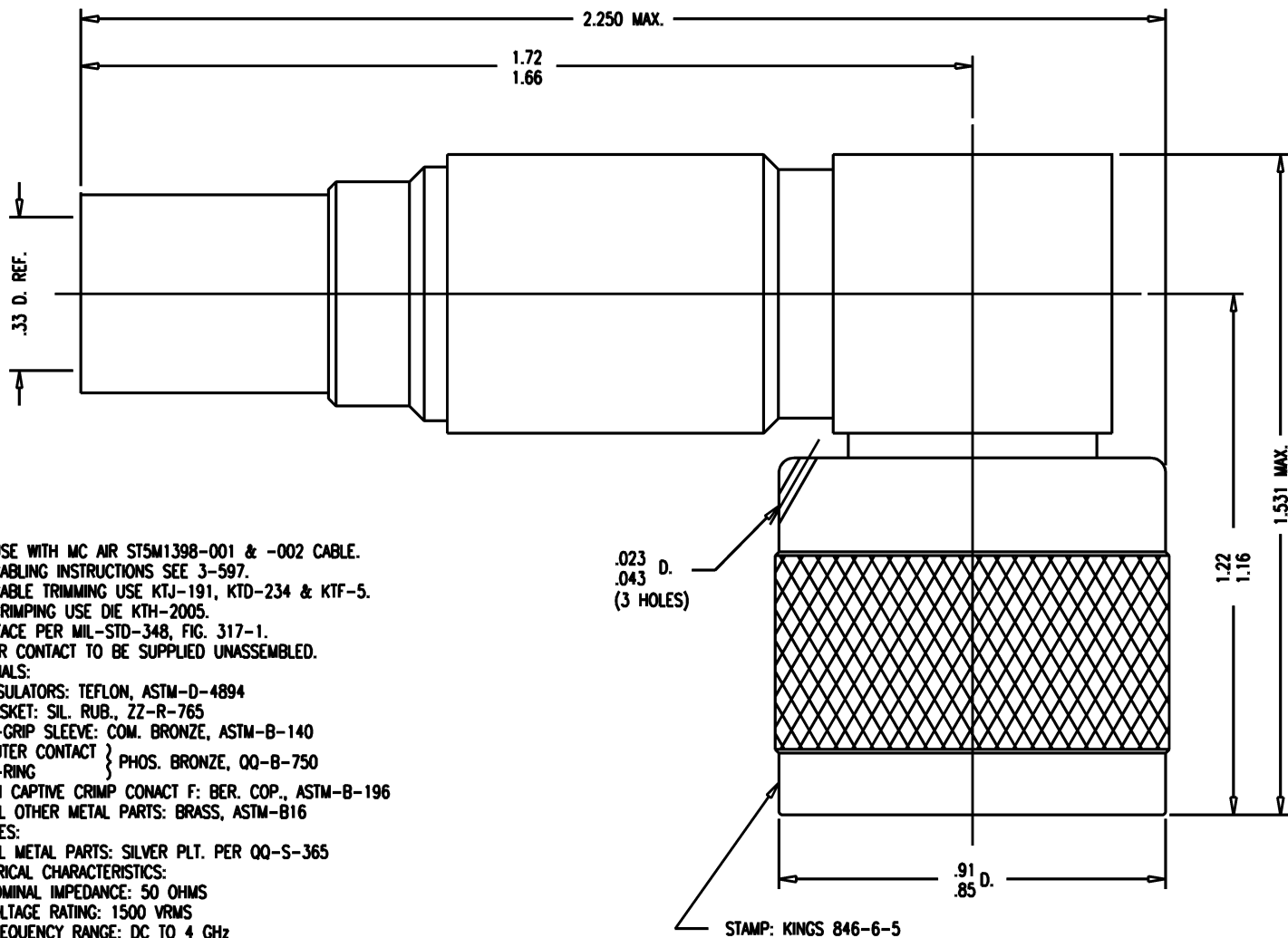
DASH NO.	M CODE	MADE FROM
----------	--------	-----------

# GSD

846-6-5

### REVISIONS

ISSUE	CHANGES
0	ER 35591 KH 12/12/94
1	CN 39307 B JLA 07/27/05



#### NOTES:

- FOR USE WITH MC AIR ST5M1398-001 & -002 CABLE.
- FOR CABLING INSTRUCTIONS SEE 3-597.
- FOR CABLE TRIMMING USE KTJ-191, KTD-234 & KTF-5.
- FOR CRIMPING USE DIE KTH-2005.
- INTERFACE PER MIL-STD-348, FIG. 317-1.
- CENTER CONTACT TO BE SUPPLIED UNASSEMBLED.
- MATERIALS:
  - INSULATORS: TEFLON, ASTM-D-4894
  - GASKET: SIL. RUB., ZZ-R-765
  - K-GRIP SLEEVE: COM. BRONZE, ASTM-B-140
  - OUTER CONTACT } PHOS. BRONZE, QQ-B-750
  - C-RING
  - HN CAPTIVE CRIMP CONTACT F: BER. COP., ASTM-B-196
  - ALL OTHER METAL PARTS: BRASS, ASTM-B16
- FINISHES:
  - ALL METAL PARTS: SILVER PLT. PER QQ-S-365
- ELECTRICAL CHARACTERISTICS:
  - NOMINAL IMPEDANCE: 50 OHMS
  - VOLTAGE RATING: 1500 VRMS
  - FREQUENCY RANGE: DC TO 4 GHz

STAMP: KINGS 846-6-5

KAM5092

SCALE 4:1

APPROX SURFACE AREA

USED ON

REF: MCAIR 5M1988-001 REV. C + EXCEPT

PLUG, ANGLE, HN

DRAWN	KH	DATE	12/12/94
DESIGN	LI	DATE	12/13/94
APPR.		DATE	

**KINGS**  
ELECTRONICS CO., INC.  
TUCKAHOE, NEW YORK 10707

846-6-5

# GSD