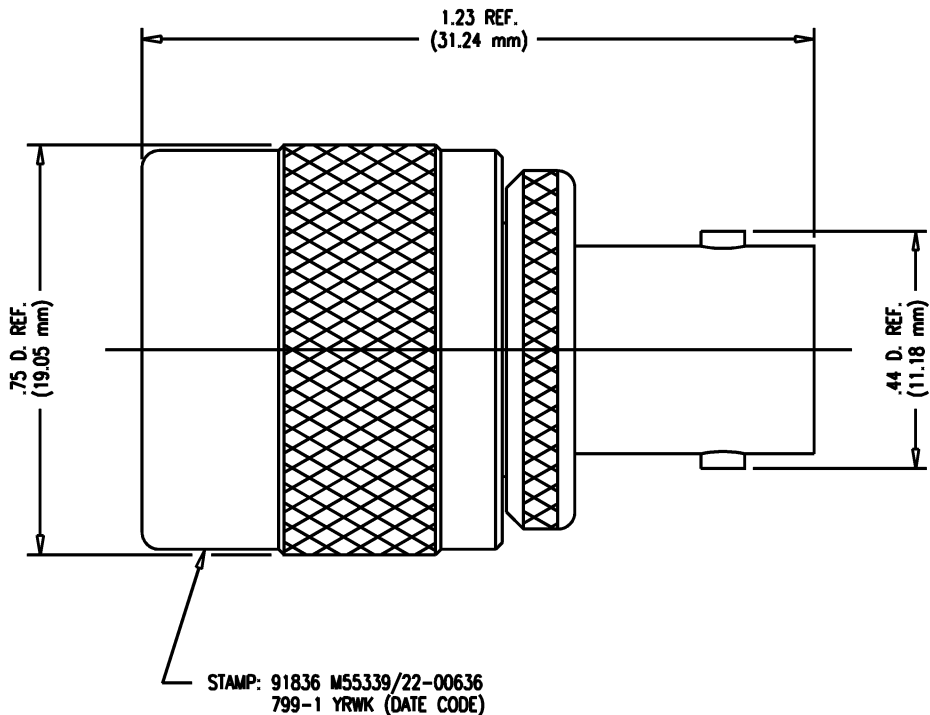


SD



**NOTES:**

1. BNC INTERFACE PER MIL-STD-348, FIG. 301-2.
2. C INTERFACE PER MIL-STD-348, FIG. 302-1.

**3. MATERIALS:**

INSULATORS- TEFLON, ASTM-D-4894  
 GASKET- SILICONE RUBBER, Z2-R-765  
 CENTER CONTACT }  
 OUTER CONTACT } BER. COP., ASTM-B-196  
 SPRING WASHER }  
 C RING- HARD DRAWN COPPER WIRE PER QQ-W-336  
 ALL OTHER PARTS-BRASS, ASTM-B16

**4. FINISHES:**

CENTER CONTACT & C RING-GOLD PLATE PER MIL-G-45204  
 OUTER CONTACT & SPRING WASHER-SILVER PLATE PER QQ-S-365  
 ALL OTHER METAL PARTS-SILVER PLATE PER QQ-S-365

**5. ELECTRICAL CHARACTERISTICS:**

NOMINAL IMPEDANCE-50 OHMS  
 WORKING VOLTAGE-500 VRMS  
 FREQUENCY RANGE-DC TO 4 GHZ

M55339/22-00636

REVISIONS	
ISSUE	CHANGES
1	RESTRICTED USAGE JHP 09/08/76
2	RESTRICTION REMOVED ER 16292 MJB 05/24/77
3	CN 23170 E MA 03/19/82
4	CN 35618 D ME 01/09/95
5	CN 37594 C REDRAWN TML 02/16/00

799-1S

SCALE 4:1	
APPROX SURFACE AREA	
799-1	
USED ON	
REF:	
ADAPTER C(M)-BNC(F)	
DRAWN JHP	DATE 09/08/76
DESIGN	DATE
APPR. JM	DATE 09/25/76
<b>KINGS</b> ELECTRONICS CO., INC. ROCK HILL, SOUTH CAROLINA 29730	
M55339/22-00636	

SD