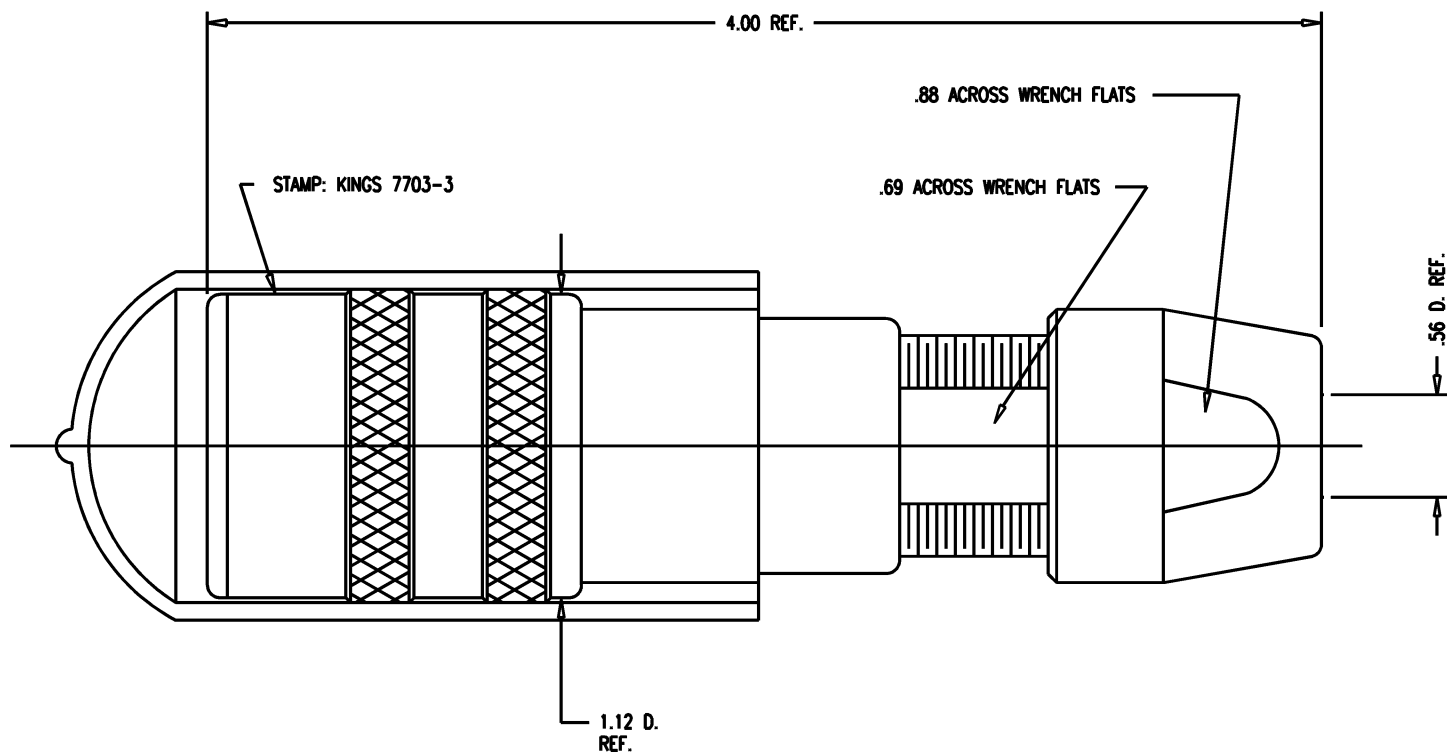


DASH NO.	M CODE	MADE FROM
----------	--------	-----------

GSD

7703-3

REVISIONS	
ISSUE	CHANGES
0	ER 35425 KH 04/10/95
1	CN 37238 D KH 02/03/97



NOTES:

- FOR USE WITH 740 CABLE GROUP.
- FOR CABLING INSTRUCTIONS SEE KAI-8010.
- FOR CABLE TRIMMING USE KTJ-303 AND KTD-303.
- FOR CRIMPING USE DIE SIZE KTH-2041.
- MATERIALS:
 - INSULATORS-TEFLON, ASTM-D-4894
 - GASKETS-SILICONE RUBBER, ZZ-R-765
 - CAP-VINYL
 - K-GRIP SLEEVE-COMMERCIAL BRONZE, ASTM-B-135
 - CENTER CONTACT
 - OUTER CONTACT SPRING } BER. COP., ASTM-B-196
 - INSERT
 - ALL OTHER METAL PARTS-BRASS, ASTM-B16

- FINISHES:
 - CENTER CONTACT
 - OUTER CONTACT SPRING } GOLD PLATE PER MIL-G-45204
 - NUTS
 - COLLET } KINGS TARNISH RESISTANT FINISH (TR-5)
 - BODIES
 - ALL OTHER METAL PARTS-SILVER PLATE PER QQ-S-365
- ELECTRICAL CHARACTERISTICS:
 - NOMINAL IMPEDANCE: 75 OHMS
 - FREQUENCY RANGE: DC-500 MHZ
 - VOLTAGE BREAKDOWN: CENTER CONDUCTOR/INNER GROUND: 1500 VRMS
 - INNER GROUND/OUTER GROUND: 500 VRMS

KAM5532

SCALE 2:1	
APPROX SURFACE AREA	
USED ON	
REF: KP-8020-740-400	
JK, TRI-LOC, SERIAL DIGITAL	
DRAWN KH	DATE 04/10/95
DESIGN DW	DATE 04/11/95
APPR.	DATE
KINGS ELECTRONICS CO., INC. TUCKAHOE, NEW YORK 10707	

GSD

7703-3