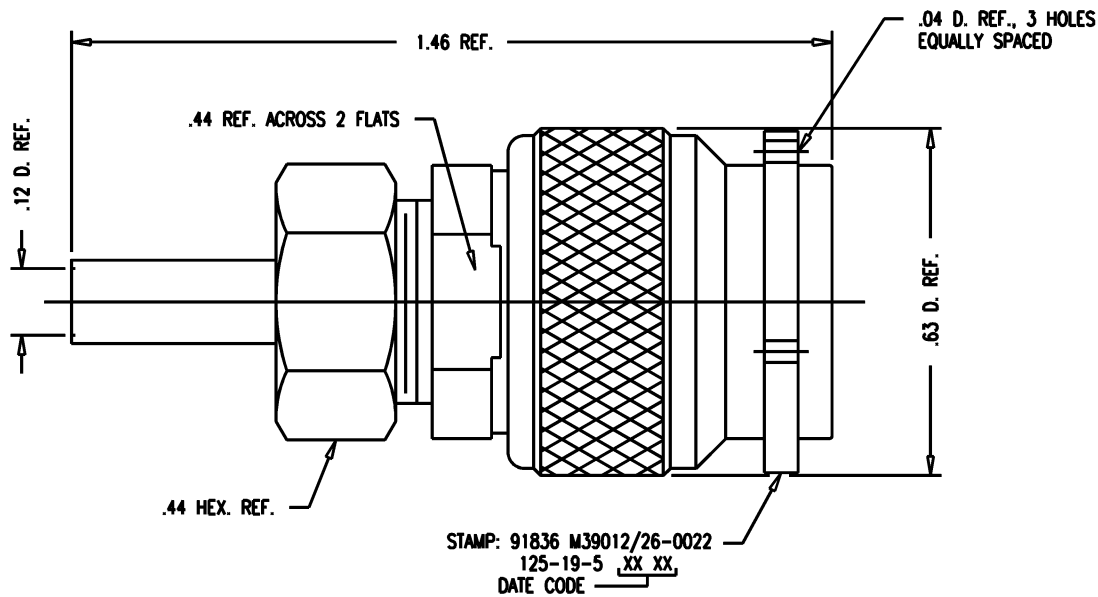


# GSD

M39012/26-0022

REVISIONS	
ISSUE	CHANGES
2	CN 33709 E REDRAWN WJM 02/05/92

WJM1739



**NOTES:**

- FOR USE WITH M17/119-RG174 & M17/113-RG316 CABLES.
- FOR CABLING INSTRUCTIONS SEE CP-465.
- FOR CABLE TRIMMING USE KTJ-116 & KTD-245.
- FOR CRIMMING USE DIE KTH-2011.
- INTERFACE PER MIL-STD-348, FIG. 313-1.
- MATERIALS:  
INSULATORS: TEFLON, ASTM-D-1457  
K-GRIP SLEEVE: COM. BRONZE TUBE, ALLOY 220  
C-RING: PHOSPHOR BRONZE, Q0-B-750  
OUTER CONTACT: BER. COPPER, ASTM-B-196  
GASKET: SILICONE RUBBER, Z2-R-765  
ALL OTHER METAL PARTS: BRASS, ASTM-B16
- FINISHES:  
CENTER CONTACT: HARD GOLD PLATE, PER MIL-G-45204  
ALL OTHER METAL PARTS: SILVER PLATE, PER Q0-S-365
- ELECTRICAL CHARACTERISTICS:  
NOMINAL IMPEDANCE: 50 OHMS  
WORKING VOLTAGE: 500 VRMS  
FREQUENCY RANGE: DC TO 11 GHz.

SCALE 4:1	
APPROX SURFACE AREA 125-19-5	
USED ON	
REF:	
PLUG, TNC	
DRAWN WJM	DATE 02/05/92
DESIGN MJB	DATE 02/10/92
APPR.	DATE
 ELECTRONICS CO., INC. TUCKAHOE, NEW YORK 10707	
M39012/26-0022	

# GSD