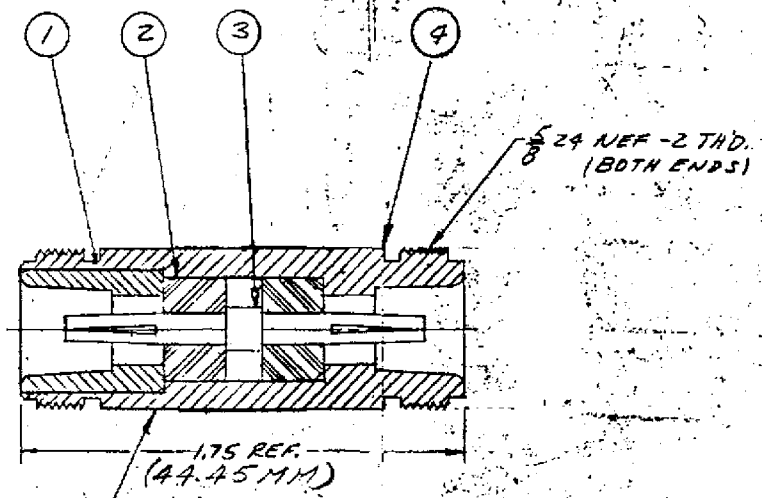


UNLESS OTHERWISE SPECIFIED LIMITS ON DIMENSIONS ARE:
 FRACTIONS = .010 DECIMALS = .004 ANGLES = 1/2°

THREADS BY
 UNLESS SHOWN
 ALL SURF FINISH

S=D

REVISIONS		
NO.	CHANGE	BY
0	ER 6275 J.M. 12 AUG 68	
1	CN 8393A L.R. MAR 70	
2	CN 14745A MJB 25 AUG 75	
3	CN 19595C LI 19 OCT 79	
4	CN 20050C FH 4 JAN 80	
5	CN 20120D FH 16 JAN 80	
6	CN 20088D LI 18 JAN 80	



STAMP: KINGS KN-99-50

S-D

ITEM	REQ'D.	DESCRIPTION	PART NO.
4	1	BODY	
3	1	N CONTACT F-F	
2	2	INSULATOR	
1	1	BUSHING	

Q'W'G. NO.	NO. REVISE
USED ON	
FINISH	SPEC. KER 10004
MAT.	SPEC.
REQ.	SCALE

N ADAPTER
 F-F

FOR	
DRAWN J.M.	DATE 12 AUG 68
APPR. L.M.	DATE 8-12-68

KINGS ELECTRONICS
 372 CLABSON AVE.
 B'KLYN, N. Y.
 KN-99-50

S-D