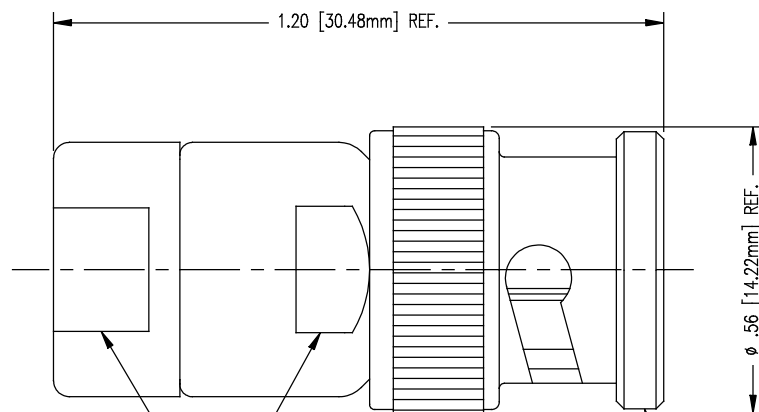


DASH NO.	M CODE	MADE FROM
----------	--------	-----------

GSD

KC-89-103

REVISIONS	
ISSUE	CHANGES
5	CN 40077 E REDRAWN DRK 9/24/07



.44 [11.18mm] REF. ACROSS FLATS

STAMP: KINGS KC-89-103 51 OHM YRWK(DATE CODE)

NOTES:

1. INTERFACE PER MIL-STD-348, FIG. 301-1.
2. MATERIALS:  
INSULATOR-TEFLON, ASTM-D4894  
GASKET-SILICONE RUBBER, A-A-59588  
SPRING WASHER-BER. COP., ASTM-B196  
ALL OTHER METAL PARTS-BRASS, ASTM-B16
3. FINISHES:  
CONTACT AND SPRING WASHER - SILVER PLATE, ASTM-B700.  
ALL METAL PARTS-KINGS TARNISH RESISTANT NICKEL FINISH (TR-5)
4. ELECTRICAL CHARACTERISTICS:  
POWER RATING-1/2 WATT  
FREQUENCY RANGE DC TO 4 GHz

SCALE 4:1	
APPROX SURFACE AREA	
USED ON	
REF:	
TERMINATION, BNC, 51 OHM	
DRAWN DRK	DATE 9/26/07
DESIGN SN	DATE 5/18/1970
APPR.	DATE

**KINGS**  
A Winchester Electronics Company

GSD

KC-89-103