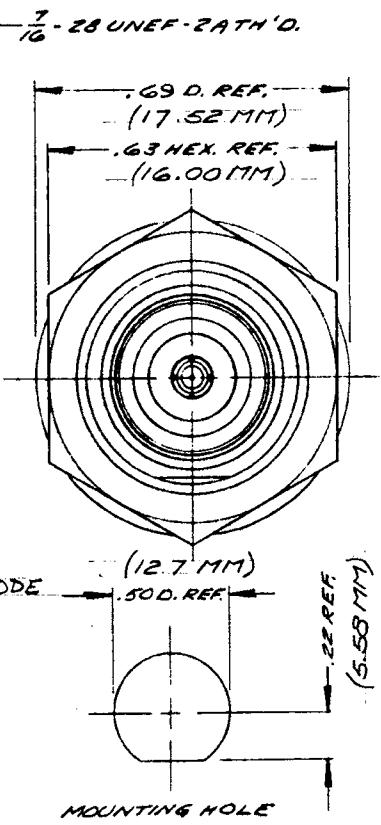
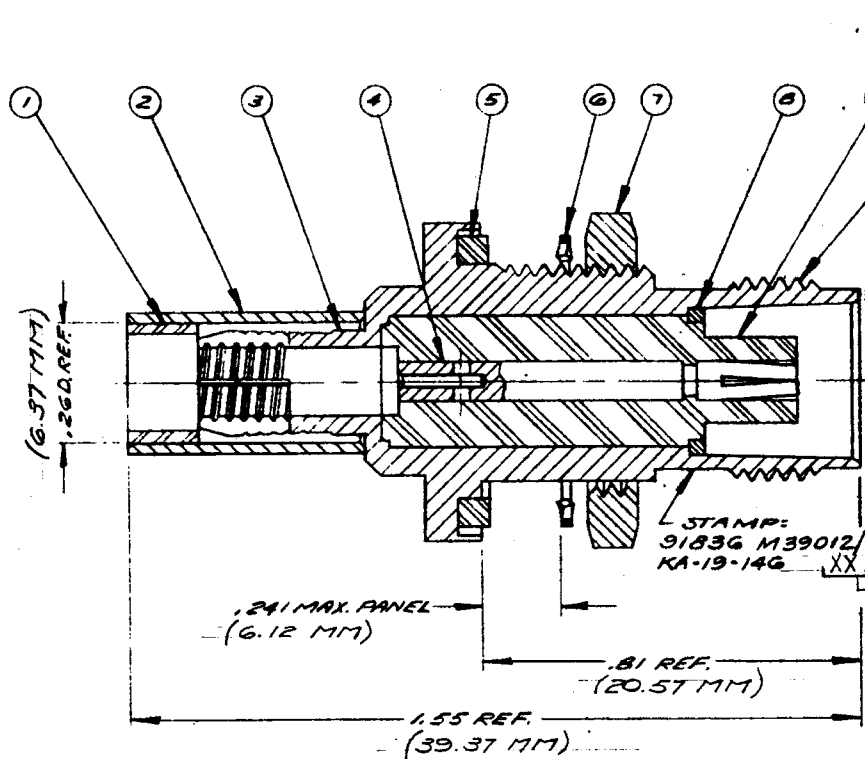


DASH NO.	DESCRIPTION	MADE FROM
----------	-------------	-----------



NOTES:
 1. FOR USE WITH RG-302/U CABLE.
 2. FOR CABLE TRIMMING USE KTJ-113 & KTD-184.
 3. FOR CRIMPING USE DIE SIZE O2.
 4. FOR CABLING INSTRUCTIONS SEE CP-465.

UNLESS OTHERWISE SPECIFIED:

- | | |
|--|--|
| 1. TOLERANCES: FRACTIONS & 2 PLACE DECIMALS ± .010 | 2. REMOVE ALL BURRS. BREAK SHARP EDGES .008 MAX. |
| 3 PLACE DECIMALS ± .004 | 3. NO FILLETS PERMITTED. |
| ANGLES ± 0° 30' | 4. SURFACE ROUGHNESS #3 MICROINCHES RMS MAX. |
| T. I. R. CONCENTRICITY OF ANY 2 DIAMETERS MAY NOT EXCEED HALF THE SUM OF THEIR TOLERANCES. | 5. ALL DIMENSIONS PRIOR TO PLATING. |

ITEM	REQ'D	DESCRIPTION	PART NO.
10	1	CABLING INSTR. SHEET	3-167-2M88
9	1	INSULATOR	
8	1	RETAINING RING	
7	1	HEX NUT	492A-9-MC7
6	1	LOCKWASHER	492A-12-MC7
5	1	GASKET	492A-10-M99
4	1	TNC CRIMP CAPTIVE CONTACT	1-521-26-M9D
3	1	K-GRIP BODY	
2	1	K-GRIP SLEEVE	5-89-06-2-MC7
1	1	GASKET	C-59-351-2-M99

M39012/28-0021 S-D

REVISIONS	
ISSUE	CHANGES
0	ER 14313 MJB 14 OCT 75
1	CN 15877C JHP 22 JUN 76
2	CN 21126A LI 24 SEP 80
3	CN 21751C M.A. 12 MAR 81
4	CN 22767 E JEP 17 NOV 81
5	CN 32302 A LNM 20 JUN 90

SCALE 4:1 S-D

KA-19-14G	
USED ON:	
REP:	PANAVIA 6444-C-XX REV b
FINISH:	
SPEC:	KER 10004
MATERIAL:	
SPEC:	
TNC BULKHEAD JACK	
DRAWN:	MJB DATE 14 OCT 75
APPR:	R.T DATE 28 OCT 75
KINGS ELECTRONICS 40 HARBORLEDALE ROAD TUCKAHOE, N. Y. 10707	
M39012/28-0021	

S-D