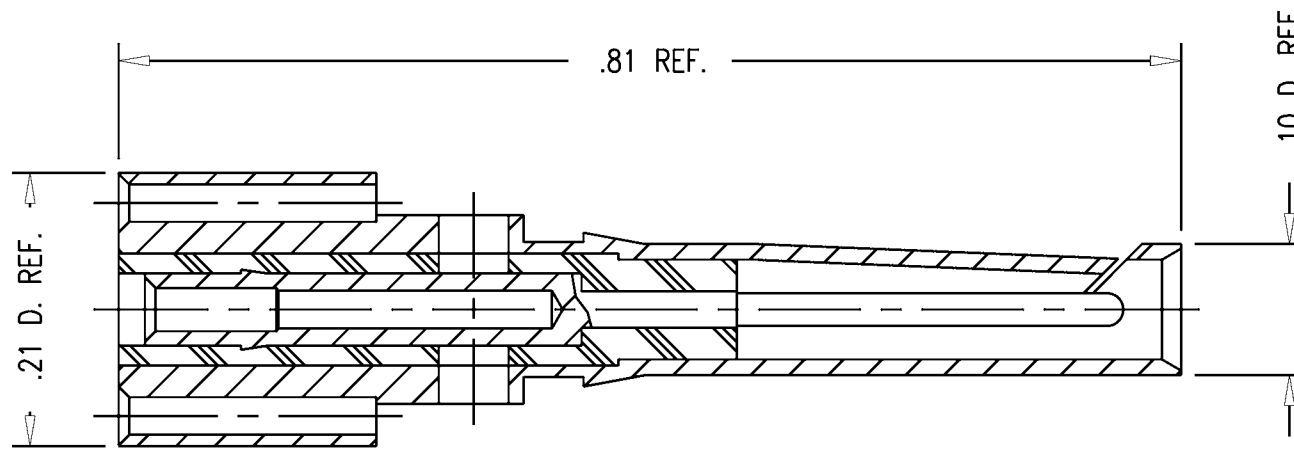


GSD

2943-1-4

REVISIONS	
ISSUE	CHANGES
3	CN 33176 B REDRAWN KH 06/24/91



KAM1234

NOTES:

1. FOR USE WITH 24 AWG STRANDED WIRE.
2. FOR CABLING INSTRUCTION SEE 3-349
3. FOR CRIMPING USE DIE KTH-2168.
4. MATERIALS:
INSULATOR: DELRIN
ALL OTHER METAL PARTS: BER. COP., ASTM-B-196
5. FINISHES:
ALL OTHER METAL PARTS: HARD GOLD PLATE PER MIL-G-45204

SCALE 6:1	
APPROX SURFACE AREA	
WAS: E-14016	
USED ON	
REF:	
COAX SOCKET, FULL CRIMP, MDB	
DRAWN KH	DATE 06/24/91
DESIGN VLS	DATE 06/24/91
APPR.	DATE

GSD

KINGS
ELECTRONICS CO., INC.
TUCKAHOE, NEW YORK 10707

2943-1-4