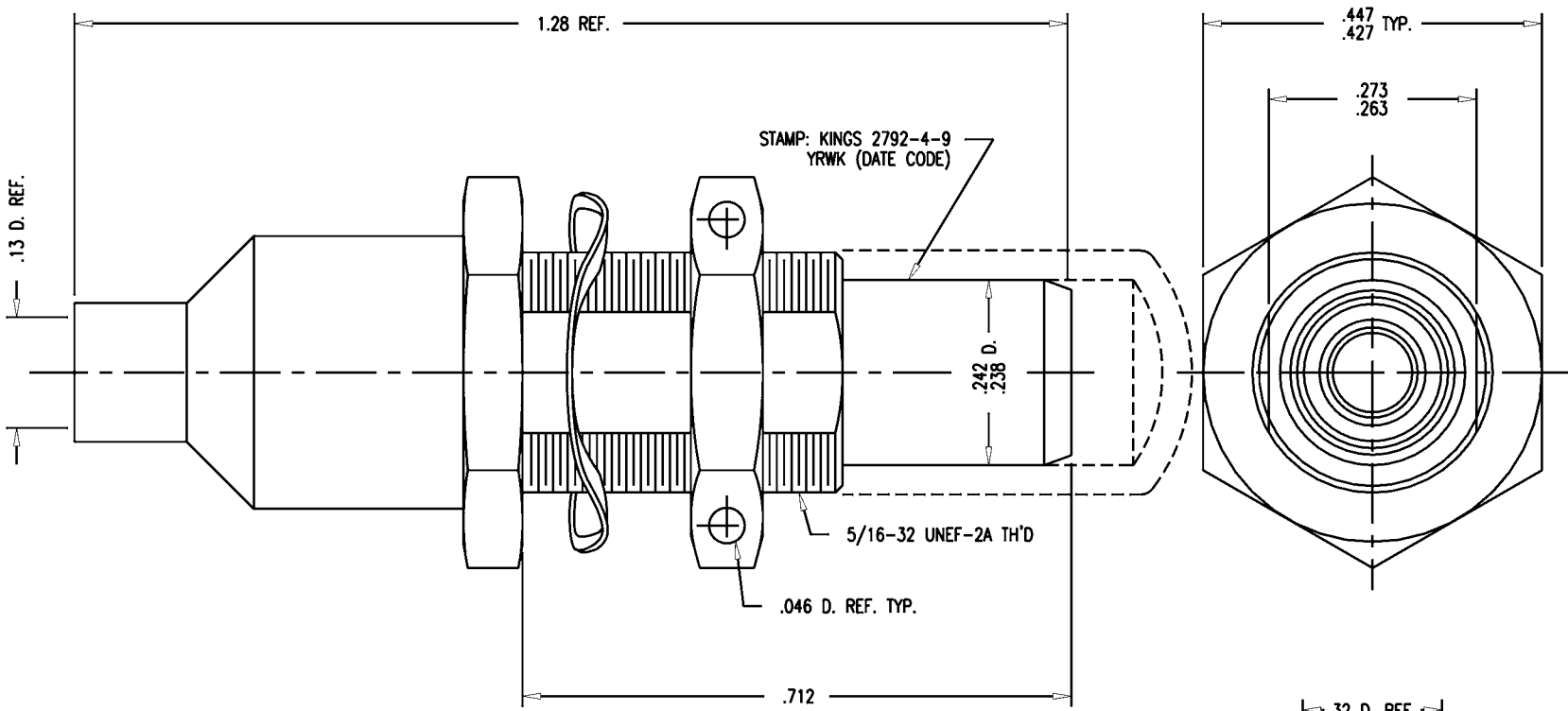


GSD

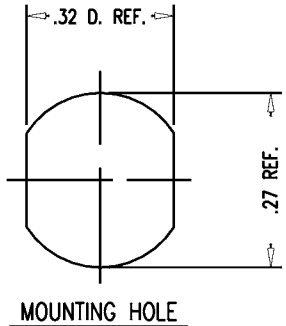
2792-4-9

REVISIONS

ISSUE	CHANGES
0	ER 33253 JCA 07/26/91
1	CN 33721 A KH 02/10/92
2	CN 33917 A JCA 05/15/92
3	CN 35037 C MJB 04/06/94



- NOTES:
1. FOR USE WITH GORE GSC-12-2548-00 & GSC-12-2549-00 CABLE.
 2. FOR CABLING INSTRUCTIONS SEE 3-349-1.
 3. FOR CRIMPING USE DIE KTH-2204.
 4. MARK PACKAGE: KINGS 2792-4-9 PAT. 4804344
 5. .156 MAX. -.025 MIN. PANEL.
 6. MATERIALS:
 - DUST CAP: VINYL COLOR: DARK GREEN
 - U-SHAPED INSULATOR: DELRIN
 - OUTER INSULATOR: TEFLON, ASTM-D-1457
 - K-GRIP SLEEVE: CARBON STEEL, ASTM-A684
 - LOCKWASHER: PHOS. BRONZE, QQ-B-750
 - ALL OTHER PARTS: BRASS, ASTM-B16
 7. FINISHES:
 - ALL METAL PARTS: KINGS TARNISH RESISTANT FINISH (TR-5)



MOUNTING HOLE

JCA1866

SCALE	6:1	
APPROX SURFACE AREA		
USED ON		
REF:		
JK, BKHD, TH'D, MDB		
DRAWN	JCA	DATE 07/26/91
DESIGN	VLS	DATE 07/26/91
APPR.		DATE

KINGS
ELECTRONICS CO., INC.
TUCKAHOE, NEW YORK 10707

GSD

2792-4-9