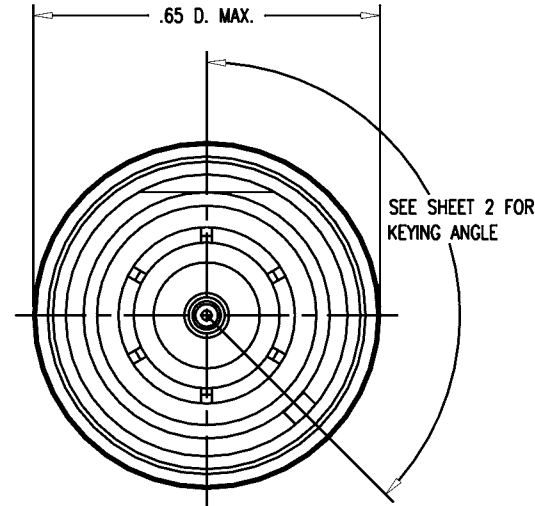
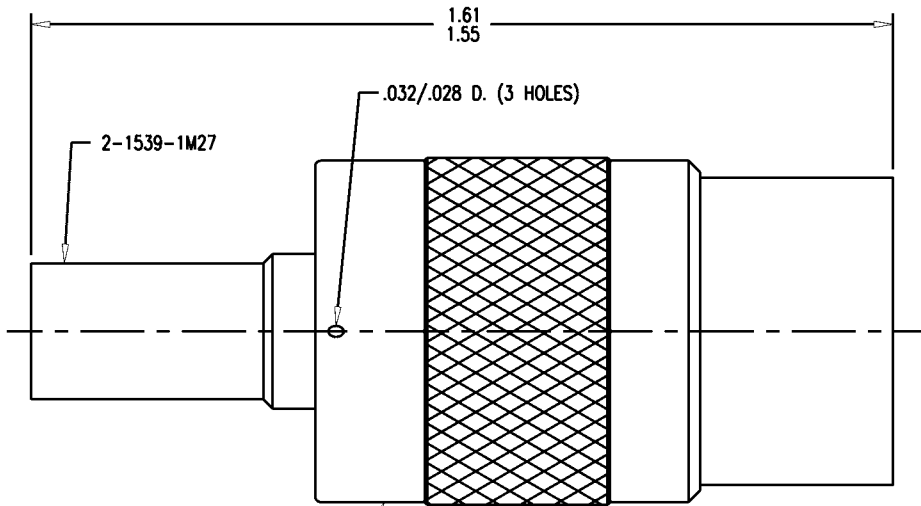


GSD



STAMP: KINGS 2435-81-*
 YRWK (DATE CODE) SEE SHEET 2

- NOTES:
- FOR USE WITH BOEING S280W503-2 & ADAMS RUSSELL FC14Z CABLE.
 - FOR CABLING INSTRUCTIONS SEE 3-546-1.
 - FOR CRIMPING USE DIE KTH-2161.
 - INTERFACE PER MIL-STD-348, FIG. 313-1 (AS APPLICABLE).
 - CENTER CONTACT (1-569-21MA9) SUPPLIED UNASSEMBLED.
 - MARK PACKAGE: KINGS 2435-81-*
 YRWK (DATE CODE) SEE SHEET 2
 - MATERIALS:
 - INSULATOR- TEFLON, ASTM-D-1457
 - GASKET- SILICONE RUBBER, ZZ-R-765
 - K-GRIP SLEEVE- COMMERCIAL BRONZE, ALLOY 316
 - OUTER CONTACT: BER. COP., ASTM-B-196
 - C-RING: PHOS. BRONZE, QQ-B-750
 - ALL OTHER METAL PARTS- BRASS, ASTM-B16
 - FINISHES:
 - CENTER CONTACT- GOLD PLATE, PER MIL-G-45204
 - ALL OTHER METAL PARTS- KINGS TARNISH RESISTANT FINISH (TR-5)
 - ELECTRICAL CHARACTERISTICS:
 - NOMINAL IMPEDANCE- 50 OHMS
 - FREQUENCY RANGE- 0 TO 11 GHz
 - WORKING VOLTAGE- 500 VOLTS RMS

2435-81-*
(SHEET 1 OF 2)

REVISIONS	
ISSUE	CHANGES
1	TOLERANCES ADDED & TOOLING DEFINED JT 04/06/92
2	ER 33833 JCA 04/07/92
3	CN 37819 C TML 05/13/99
4	CN 38300 E TML 05/04/01
5	CN 39226 E JLA 02/16/05

WAS: JCA2536		243581S1
SCALE 4:1		
APPROX SURFACE AREA		
WAS: E-17408		
USED ON		
REF: BOEING		
PLUG, TNC, KEYED		
DRAWN JCA	DATE 02/27/92	
DESIGN JT	DATE 02/28/92	
APPR.	DATE	
KINGS ELECTRONICS CO., INC. ROCK HILL, SOUTH CAROLINA 29730		
2435-81-* (SHEET 1 OF 2)		

GSD