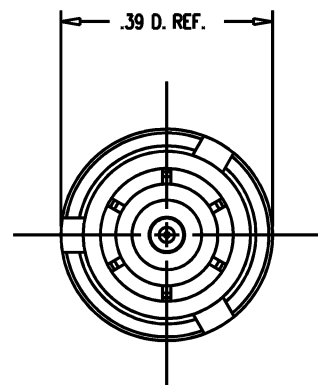
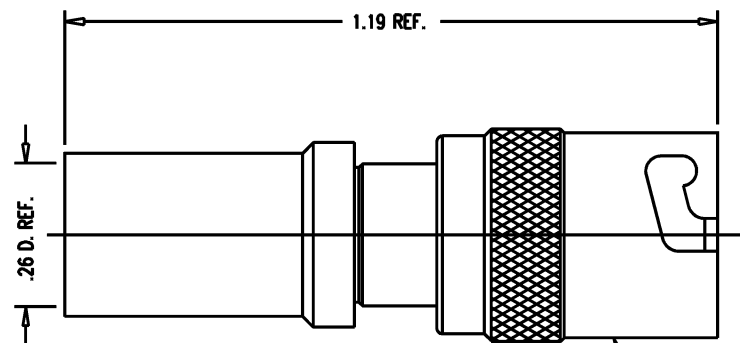


DASH NO.	M CODE	MADE FROM
----------	--------	-----------



STAMP: 91836 1525-3-9  
YRWK (DATE CODE)

- NOTES:
- FOR USE WITH BOEING BMS 13-65-0G AND ADAMS RUSSELL FC20Z CABLES.
  - FOR CABLING INSTRUCTIONS SEE 3-546-1.
  - FOR CRIMPING USE DIE KTH-2242.
  - CONTACT P/N 1-7588-1M9D TO BE SUPPLIED UNASSEMBLED.
  - MARK PACKAGE: HS5982-1  
1525-3-9  
91836  
YRWK (DATE CODE)

- MATERIALS:  
GASKET: SIL. RUBBER, A-A-59588, CLASS 1B  
INSULATOR: TEFLON, ASTM-D-4894  
SPRING: STAINLESS STEEL WIRE  
OUTER CONTACT: BER. COPPER, ASTM-B-196  
ALL OTHER PARTS: BRASS, ASTM-B16
- FINISHES:  
CENTER CONTACT: GOLD PLATE PER, ASTM B488  
ALL OTHER METAL PARTS: KINGS TARNISH RESISTANT NICKEL FINISH (TR-5)

- ELECTRICAL CHARACTERISTICS:  
NOMINAL IMPEDANCE: 50~W  
FREQUENCY RANGE: DC TO 10 GHZ  
VOLTAGE RATING: 500 VOLTS RMS  
VSWR: 1.35 MAX UP TO 10 GHZ.
- CONNECTOR WEIGHT: .015 LBS (7 GRAMS)

UNLESS OTHERWISE SPECIFIED

- ALL DIMENSIONS IN INCHES (MILLIMETERS).
- TOLERANCES:  

.XXX ±.004	.XX ±.010
[.XXX ±.10]	[.XX ±.25]

 FRACTIONS: X/Y ±.010 [.25]    ANGLES: ± 1°  
 ★ CRITICAL DIMENSIONS

SD1525-3-9

REVISIONS	
ISSUE	CHANGES
0	ER 36357 ME 06/07/95
1	CN 36957 D KH 05/10/96
2	CN 38206 C BDH 02/06/01
3	CN 39598 D AM 08/29/06
E	ER 6515 BAM 02/19/08

CUSTOMER  
SALES DRAW

SCALE	4:1	
APPROX SOURCE AREA		
WAS:	E-18859	
USED	GEM	
REF:	Mc D. DOUGLAS /HS5982-1 REV. -	
PL, TPS		
DRAWN	ME	06/05/95
DESIGN	AR	06/05/95
APPR.		DATE

SD1525-3-9