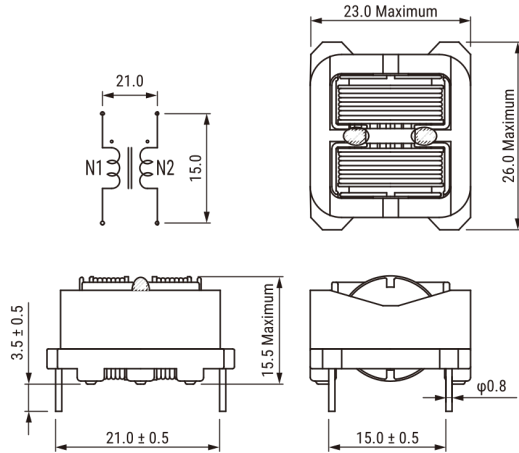


## SSHB21HS-03656

Aliases (UALSB2S0365600)

KEMET, SSHB21HS, AC Line Filters, Dual Mode, 65.6 mH



Click [here](#) for the 3D model.

### Dimensions

L	26mm MAX
T	23mm MAX
H	15.5mm MAX
LL	3.5mm +/-0.5mm
S	21mm +/-0.5mm
S1	15mm NOM
Wire Size	0.2mm

### Packaging Specifications

Packaging	Tray
Packaging Quantity	360
Component Weight	14 g

### General Information

Series	SSHB21HS
Style	Through-Hole
RoHS	Yes
Notes	Marking: 03 Lot No.
Miscellaneous	Temperature Rise Maximum: 40 K.
Core	Mn-Zn Ferrite

### Specifications

Voltage AC	250 VAC
Inductance	65.6 mH (10 kHz)
Current	300 mA
Temperature Range	-25/+130°C
DC Resistance	2.95 Ohms