

## S-Series with C<sup>3</sup> Technology, Radial and Axial, Ceramic Cased, 50 - 200 VDC (Commercial Grade)

### Overview

KEMET's S Series radial ceramic cased capacitors are designed with C0G and X7R dielectrics which feature a 125°C maximum operating temperature and patented C<sup>3</sup> technology which eliminates potential problems associated with conventional epoxy cased/potted capacitors.

These devices are ideal for power supplies, DC/DC conversion and well suited for timing, resonant, bypass, and decoupling applications. These capacitors are widely used in industries related to semiconductors, telecommunications, test/diagnostic equipment and power/grid.

### Benefits

- Operating temperature range of -55°C to +125°C
- High shock and vibration capability
- Capacitance range from 680 pF – 5.65 µF in X7R
- Capacitance range from 10 pF – 0.15 µF in C0G
- DC voltage ratings of 25 V, 50 V, 100 V
- High thermal stability
- Encapsulation meets flammability standard UL 94 V-0



### Applications

- Switch mode power supplies
- DC/DC Converters
- Lighting ballast
- Measuring equipment
- Inverters
- Telecom equipment
- High voltage coupling

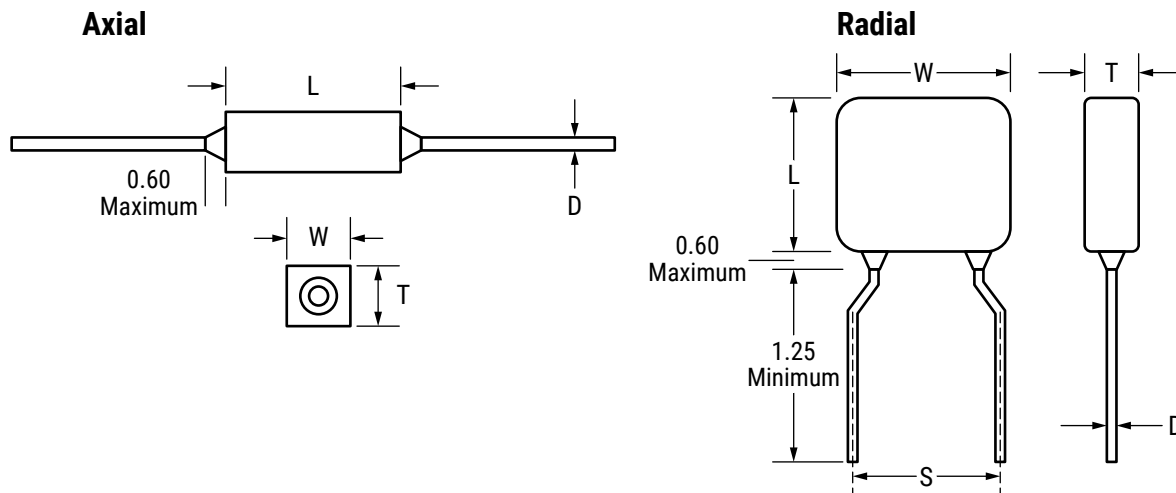
## Ordering Information

S	C	R	06	B	103	K	G	S	
Series	Dielectric	Lead Configuration	Style/ Size	Voltage Rating	Cap. Code	Capacitance Tolerance <sup>1</sup>	Lead Wire Barrier Layer <sup>2</sup>	Test Level	Packaging
S = Standard Axial and Radial Capacitors	C = COG R = X7R	A = Axial R = Radial	Axial: 16 25 39 50 69 Radial: 05 06 07 08 09	B = 50 V D = 100 V F = 200 V	Two significant digits and number of zeros	J = ±5% K = ±10% M = ±20%	G = Gold coated W = Solder coated	S = KEMET standard screening A = MIL-PRF-20, Group A Test (COG) A = MIL-PRF-39014 (X7R) X = Special	Blank = Waffle Tray

<sup>1</sup> Additional capacitance tolerance offerings may be available. Contact KEMET for details.

<sup>2</sup> Please refer to the Construction section in the datasheet.

## Dimensions – Inches (Millimeters)



Series	Lead Configuration	Style/ Size	Length (L)	Width (W)	Thickness (T)	Lead Spacing ±0.030 (S)	Lead Diameter (F)	Lead Length Minimum (LL)
S	Axial	16	0.170 (4.32)	0.080 (2.03)	0.080 (2.03)		0.020 ±0.002 (0.508 ±0.051)	
		25	0.270 (6.86)	0.100 (2.54)	0.100 (2.54)			
		39	0.400 (10.16)	0.150 (3.81)	0.150 (3.81)			
		50	0.520 (13.21)	0.265 (6.73)	0.160 (4.06)		0.025 ±0.002 (0.635 ±0.051)	
		69	0.720 (18.29)	0.370 (9.40)	0.160 (4.06)			
	Radial	05	0.200 (5.08)	0.200 (5.08)	0.100 (2.54)	0.200 ±0.030 (5.08 ±0.76)	0.020 ±0.002 (0.508 ±0.051)	
		06	0.300 (7.62)	0.300 (7.62)	0.100 (2.54)	0.200 ±0.030 (5.08 ±0.76)		
		07	0.300 (7.62)	0.300 (7.62)	0.150 (3.81)	0.200 ±0.030 (5.08 ±0.76)		
		08	0.500 (12.70)	0.500 (12.70)	0.100 (2.54)	0.400 ±0.030 (10.16 ±0.76)	0.025 ±0.002 (0.635 ±0.051)	
		09	0.500 (12.70)	0.500 (12.70)	0.150 (3.81)	0.400 ±0.030 (10.16 ±0.76)		

## Electrical Parameters/Characteristics

Item	Parameters/Characteristics
Operating Temperature Range:	-55°C to +125°C
Capacitance Change with Reference to +25°C and 0 VDC Applied (TCC):	X7R: ±15% COG: ±30 PPM/°C
Aging Rate (Maximum % Cap Loss/Decade Hour):	X7R: 2.0%/decade hour COG: 0%
<sup>1</sup> Dielectric Withstanding Voltage:	150% of rated voltage for voltage rating of 500 V ≤ V < 1,000 V 120% of rated voltage for voltage rating of ≥ 1,000 V (5±1 seconds and charge/discharge not exceeding 50 mA at 25°C)
<sup>2</sup> Dissipation Factor (DF) Maximum Limit at 25°C:	X7R: 2.0% COG: 0.15%
<sup>3</sup> Insulation Resistance (IR) Limit at 25°C:	1,000 MΩ microfarads or 100 GΩ (Rated voltage applied for 120 ±5 seconds)

<sup>1</sup> DWV is the voltage a capacitor can withstand (survive) for a short period of time.

It exceeds the nominal and continuous working voltage of the capacitor.

<sup>2</sup> See part number specification sheet for frequency and voltage for Capacitance, Dissipation Factor and TCC measurement conditions.

<sup>3</sup> To obtain IR limit, divide MΩ-μF value by the capacitance and compare to GΩ limit. Select the lower of the two limits.

Note: When measuring capacitance, it is important to ensure the set voltage level is held constant. The HP4284 and Agilent E4980 have a feature known as Automatic Level Control (ALC). The ALC feature should be switched to "ON."

## Post Environmental Limits

Dielectric	Rated DC Voltage	Capacitance Value	DF (%)	Capacitance Shift	IR
COG	All	All	0.25	0.3% or ±0.50 pF	10% of Initial Limit
X7R	All	All	3.0	±20%	10% of Initial Limit

## Packaging Quantities

Style	Waffle Pack Quantity	Style	Waffle Pack Quantity
SCR05	56	SCA16	25
SCR06	28	SCA25	25
SCR07	28	SCA39	25
SCR08	20	SCA50	25
SCR09	20	SCA69	25
SRR05	56	SRA16	25
SRR06	28	SRA25	25
SRR07	28	SRA39	25
SRR08	20	SRA50	25
SRR09	20	SRA69	25

**Table 1A – S Series COG Waterfall**

Type		AXIAL (SCA)															RADIAL (SCR)																	
Style		16			25			39			50			69			05			06			07			08			09					
Voltage		50	100	200	50	100	200	50	100	200	50	100	200	50	100	200	50	100	200	50	100	200	50	100	200	50	100	200	50	100	200	50	100	200
Capacitance	Capacitance Code																																	
5.6 pF	569															X	X	X																
6.8 pF	689															X	X	X																
8.2 pF	829															X	X	X																
10 pF	100	X	X	X												X	X	X																
12 pF	120	X	X	X												X	X	X																
15 pF	150	X	X	X												X	X	X																
18 pF	180	X	X	X												X	X	X																
22 pF	220	X	X	X												X	X	X																
27 pF	270	X	X	X												X	X	X																
33 pF	330	X	X	X												X	X	X																
39 pF	390	X	X	X												X	X	X																
47 pF	470	X	X	X												X	X	X																
56 pF	560	X	X	X	X	X	X									X	X	X																
68 pF	680	X	X	X	X	X	X									X	X	X																
82 pF	820	X	X	X	X	X	X									X	X	X																
100 pF	101	X	X	X	X	X	X									X	X	X																
120 pF	121	X	X	X	X	X	X									X	X	X																
150 pF	151	X	X	X	X	X	X	X	X							X	X	X																
180 pF	181	X	X	X	X	X	X	X	X	X						X	X	X																
220 pF	221	X	X	X	X	X	X	X	X	X						X	X	X																
270 pF	271	X	X		X	X	X	X	X	X						X	X	X	X	X	X	X	X	X	X	X	X	X	X	X	X	X	X	
330 pF	331	X	X		X	X	X	X	X	X						X	X	X	X	X	X	X	X	X	X	X	X	X	X	X	X	X	X	
390 pF	391	X	X		X	X	X	X	X	X	X	X				X	X	X	X	X	X	X	X	X	X	X	X	X	X	X	X	X	X	
470 pF	471	X	X		X	X	X	X	X	X	X	X				X	X	X	X	X	X	X	X	X	X	X	X	X	X	X	X	X	X	
560 pF	561	X	X		X	X	X	X	X	X	X	X				X	X	X	X	X	X	X	X	X	X	X	X	X	X	X	X	X	X	
680 pF	681	X	X		X	X	X	X	X	X	X	X				X	X	X	X	X	X	X	X	X	X	X	X	X	X	X	X	X	X	
820 pF	821	X	X		X	X	X	X	X	X	X	X	X	X		X	X	X	X	X	X	X	X	X	X	X	X	X	X	X	X	X	X	
1000 pF	102				X	X	X	X	X	X	X	X	X	X		X	X	X	X	X	X	X	X	X	X	X	X	X	X	X	X	X	X	
1200 pF	122				X	X	X	X	X	X	X	X	X	X		X	X	X	X	X	X	X	X	X	X	X	X	X	X	X	X	X	X	
1500 pF	152				X	X		X	X	X	X	X	X	X		X	X	X	X	X	X	X	X	X	X	X	X	X	X	X	X	X	X	
1800 pF	182				X	X		X	X	X	X	X	X	X		X	X	X	X	X	X	X	X	X	X	X	X	X	X	X	X	X	X	
2200 pF	222				X	X		X	X	X	X	X	X	X		X	X	X	X	X	X	X	X	X	X	X	X	X	X	X	X	X	X	
2700 pF	272				X	X		X	X	X	X	X	X	X		X	X	X	X	X	X	X	X	X	X	X	X	X	X	X	X	X	X	
3300 pF	332				X	X		X	X	X	X	X	X	X		X	X	X	X	X	X	X	X	X	X	X	X	X	X	X	X	X	X	
3900 pF	392				X	X		X	X	X	X	X	X	X		X	X	X	X	X	X	X	X	X	X	X	X	X	X	X	X	X	X	
4700 pF	472				X	X		X	X	X	X	X	X	X		X	X	X	X	X	X	X	X	X	X	X	X	X	X	X	X	X	X	
5600 pF	562				X	X		X	X	X	X	X	X	X		X	X	X	X	X	X	X	X	X	X	X	X	X	X	X	X	X	X	
6800 pF	682				X	X		X	X	X	X	X	X	X		X	X	X	X	X	X	X	X	X	X	X	X	X	X	X	X	X	X	
8200 pF	822				X	X		X	X	X	X	X	X	X		X	X	X	X	X	X	X	X	X	X	X	X	X	X	X	X	X	X	
10000 pF	103				X	X		X	X	X	X	X	X	X		X	X	X	X	X	X	X	X	X	X	X	X	X	X	X	X	X	X	
12000 pF	123				X	X		X	X	X	X	X	X	X		X	X	X	X	X	X	X	X	X	X	X	X	X	X	X	X	X	X	
15000 pF	153				X	X		X	X	X	X	X	X	X		X	X		X	X	X	X	X	X	X	X	X	X	X	X	X	X	X	
18000 pF	183							X	X	X	X	X	X	X				X	X	X	X	X	X	X	X	X	X	X	X	X	X	X	X	
22000 pF	223							X	X	X	X	X	X	X				X	X		X	X	X	X	X	X	X	X	X	X	X	X	X	
27000 pF	273							X	X	X	X	X	X	X				X	X		X	X	X	X	X	X	X	X	X	X	X	X	X	
33000 pF	333							X	X		X	X	X	X				X	X		X	X	X	X	X	X	X	X	X	X	X	X	X	
39000 pF	393							X	X		X	X	X	X						X	X		X	X	X	X	X	X	X	X	X	X	X	
47000 pF	473										X	X	X	X						X	X		X	X	X	X	X	X	X	X	X	X	X	
56000 pF	563										X	X	X	X						X	X		X	X	X	X	X	X	X	X	X	X	X	
68000 pF	683										X	X								X	X		X	X	X	X	X	X	X	X	X	X	X	
82000 pF	823										X	X															X	X		X	X			
0.1 uF	104										X	X														X	X		X	X				
0.12 uF	124										X	X																		X	X			
0.15 uF	154										X	X																		X	X			
0.18 uF	184										X	X																		X	X			
0.22 uF	224										X	X																	X	X				
Voltage		50	100	200	50	100	200	50	100	200	50	100	200	50	100	200	50	100	200	50	100	200	50	100	200	50	100	200	50	100	200	50	100	200
Style		16			25			39			50			69			05			06			07			08			09					
Type		Axial (SCA)															Radial (SCR)																	

**Table 1B – S Series X7R Waterfall**

Type		AXIAL (SCA)												RADIAL (SCR)																					
Style		16			25			39			50			69			05			06			07			08			09						
Voltage		50	100	200	50	100	200	50	100	200	50	100	200	50	100	200	50	100	200	50	100	200	50	100	200	50	100	200	50	100	200	50	100	200	
Capacitance	Capacitance Code																																		
100 pF	101	X	X	X	X	X	X									X	X	X																	
120 pF	121	X	X	X	X	X	X									X	X	X																	
150 pF	151	X	X	X	X	X	X									X	X	X																	
180 pF	181	X	X	X	X	X	X	X	X	X						X	X	X																	
220 pF	221	X	X	X	X	X	X	X	X	X						X	X	X																	
270 pF	271	X	X	X	X	X	X	X	X	X						X	X	X	X	X	X	X	X	X	X	X	X	X	X	X	X	X	X		
330 pF	331	X	X	X	X	X	X	X	X	X						X	X	X	X	X	X	X	X	X	X	X	X	X	X	X	X	X	X		
390 pF	391	X	X	X	X	X	X	X	X	X	X	X	X			X	X	X	X	X	X	X	X	X	X	X	X	X	X	X	X	X	X		
470 pF	471	X	X	X	X	X	X	X	X	X	X	X	X			X	X	X	X	X	X	X	X	X	X	X	X	X	X	X	X	X	X		
560 pF	561	X	X	X	X	X	X	X	X	X	X	X	X			X	X	X	X	X	X	X	X	X	X	X	X	X	X	X	X	X	X		
680 pF	681	X	X	X	X	X	X	X	X	X	X	X	X			X	X	X	X	X	X	X	X	X	X	X	X	X	X	X	X	X	X		
820 pF	821	X	X	X	X	X	X	X	X	X	X	X	X	X	X	X	X	X	X	X	X	X	X	X	X	X	X	X	X	X	X	X	X		
1000 pF	102	X	X	X	X	X	X	X	X	X	X	X	X	X	X	X	X	X	X	X	X	X	X	X	X	X	X	X	X	X	X	X	X		
1200 pF	122	X	X	X	X	X	X	X	X	X	X	X	X	X	X	X	X	X	X	X	X	X	X	X	X	X	X	X	X	X	X	X	X		
1500 pF	152	X	X	X	X	X	X	X	X	X	X	X	X	X	X	X	X	X	X	X	X	X	X	X	X	X	X	X	X	X	X	X	X		
1800 pF	182	X	X	X	X	X	X	X	X	X	X	X	X	X	X	X	X	X	X	X	X	X	X	X	X	X	X	X	X	X	X	X	X		
2200 pF	222	X	X	X	X	X	X	X	X	X	X	X	X	X	X	X	X	X	X	X	X	X	X	X	X	X	X	X	X	X	X	X	X		
2700 pF	272	X	X	X	X	X	X	X	X	X	X	X	X	X	X	X	X	X	X	X	X	X	X	X	X	X	X	X	X	X	X	X	X		
3300 pF	332	X	X	X	X	X	X	X	X	X	X	X	X	X	X	X	X	X	X	X	X	X	X	X	X	X	X	X	X	X	X	X	X		
3900 pF	392	X	X	X	X	X	X	X	X	X	X	X	X	X	X	X	X	X	X	X	X	X	X	X	X	X	X	X	X	X	X	X	X		
4700 pF	472	X	X	X	X	X	X	X	X	X	X	X	X	X	X	X	X	X	X	X	X	X	X	X	X	X	X	X	X	X	X	X	X		
5600 pF	562	X	X	X	X	X	X	X	X	X	X	X	X	X	X	X	X	X	X	X	X	X	X	X	X	X	X	X	X	X	X	X	X		
6800 pF	682	X	X		X	X	X	X	X	X	X	X	X	X	X	X	X	X	X	X	X	X	X	X	X	X	X	X	X	X	X	X	X		
8200 pF	822	X	X		X	X	X	X	X	X	X	X	X	X	X	X	X	X	X	X	X	X	X	X	X	X	X	X	X	X	X	X	X		
10000 pF	103	X	X		X	X	X	X	X	X	X	X	X	X	X	X	X	X	X	X	X	X	X	X	X	X	X	X	X	X	X	X	X		
12000 pF	123	X	X		X	X	X	X	X	X	X	X	X	X	X	X	X	X	X	X	X	X	X	X	X	X	X	X	X	X	X	X	X		
15000 pF	153	X	X		X	X	X	X	X	X	X	X	X	X	X	X	X	X	X	X	X	X	X	X	X	X	X	X	X	X	X	X	X		
18000 pF	183	X	X		X	X	X	X	X	X	X	X	X	X	X	X	X	X	X	X	X	X	X	X	X	X	X	X	X	X	X	X	X		
22000 pF	223	X	X		X	X	X	X	X	X	X	X	X	X	X	X	X	X	X	X	X	X	X	X	X	X	X	X	X	X	X	X	X		
27000 pF	273	X	X		X	X	X	X	X	X	X	X	X	X	X	X	X	X	X	X	X	X	X	X	X	X	X	X	X	X	X	X	X		
33000 pF	333	X	X		X	X	X	X	X	X	X	X	X	X	X	X	X	X	X	X	X	X	X	X	X	X	X	X	X	X	X	X	X		
39000 pF	393	X	X		X	X	X	X	X	X	X	X	X	X	X	X	X	X	X	X	X	X	X	X	X	X	X	X	X	X	X	X	X		
47000 pF	473	X	X		X	X	X	X	X	X	X	X	X	X	X	X	X	X	X	X	X	X	X	X	X	X	X	X	X	X	X	X	X		
56000 pF	563				X	X		X	X	X	X	X	X	X	X	X	X	X	X	X	X	X	X	X	X	X	X	X	X	X	X	X	X		
68000 pF	683				X	X		X	X	X	X	X	X	X	X	X	X	X	X	X	X	X	X	X	X	X	X	X	X	X	X	X	X		
82000 pF	823				X	X		X	X	X	X	X	X	X	X	X	X	X	X	X	X	X	X	X	X	X	X	X	X	X	X	X	X		
0.1 uF	104				X	X		X	X	X	X	X	X	X	X	X	X	X	X	X	X	X	X	X	X	X	X	X	X	X	X	X	X		
0.12 uF	124				X	X		X	X	X	X	X	X	X	X	X	X	X	X	X	X	X	X	X	X	X	X	X	X	X	X	X	X		
0.15 uF	154				X	X		X	X	X	X	X	X	X	X	X	X	X	X	X	X	X	X	X	X	X	X	X	X	X	X	X	X		
0.18 uF	184				X	X		X	X	X	X	X	X	X	X	X	X	X	X	X	X	X	X	X	X	X	X	X	X	X	X	X	X		
0.22 uF	224				X	X		X	X	X	X	X	X	X	X	X	X	X	X	X	X	X	X	X	X	X	X	X	X	X	X	X	X		
0.27 uF	274				X	X		X	X	X	X	X	X	X	X	X	X	X	X	X	X	X	X	X	X	X	X	X	X	X	X	X	X		
0.33 uF	334							X	X	X	X	X	X	X	X	X	X	X	X	X	X	X	X	X	X	X	X	X	X	X	X	X	X		
0.39 uF	394							X	X	X	X	X	X	X	X	X	X	X	X	X	X	X	X	X	X	X	X	X	X	X	X	X	X		
0.47 uF	474							X	X	X	X	X	X	X	X	X	X	X	X	X	X	X	X	X	X	X	X	X	X	X	X	X	X		
0.56 uF	564							X	X	X	X	X	X	X	X	X	X	X	X	X	X	X	X	X	X	X	X	X	X	X	X	X	X		
0.68 uF	684							X	X	X	X	X	X	X	X	X	X	X	X	X	X	X	X	X	X	X	X	X	X	X	X	X	X		
0.82 uF	824							X	X	X	X	X	X	X	X	X	X	X	X	X	X	X	X	X	X	X	X	X	X	X	X	X	X		
1 uF	105							X	X	X	X	X	X	X	X	X	X	X	X	X	X	X	X	X	X	X	X	X	X	X	X	X	X		
1.2 uF	125									X	X	X	X	X	X	X	X	X	X	X	X	X	X	X	X	X	X	X	X	X	X	X	X		
1.5 uF	155									X	X	X	X	X	X	X	X	X	X	X	X	X	X	X	X	X	X	X	X	X	X	X	X		
1.8 uF	185									X	X	X	X	X	X	X	X	X	X	X	X	X	X	X	X	X	X	X	X	X	X	X	X		
2.2 uF	225									X	X	X	X	X	X	X	X	X	X	X	X	X	X	X	X	X	X	X	X	X	X	X	X		
2.7 uF	275											X	X	X	X	X	X	X	X	X	X	X	X	X	X	X	X	X	X	X	X	X	X		
3.3 uF	335												X	X	X	X	X	X	X	X	X	X	X	X	X	X	X	X	X	X	X	X	X		
3.9 uF	395													X	X	X	X	X	X	X	X	X	X	X	X	X	X	X	X	X	X	X	X		
4.7 uF	475														X	X	X	X	X	X	X	X	X	X	X	X	X	X	X	X	X	X	X		
5.6 uF	565																																	X	X
6.8 uF	685																																	X	X
Voltage		50	100	200	50	100	200	50	100	200	50	100	200	50	100	200	50	100	200	50	100	200	50	100	200	50	100	200	50	100	200	50	100	200	
Style		16			25			39			50			69			05			06			07			08			09						
Type		Axial (SCA)												Radial (SCR)																					

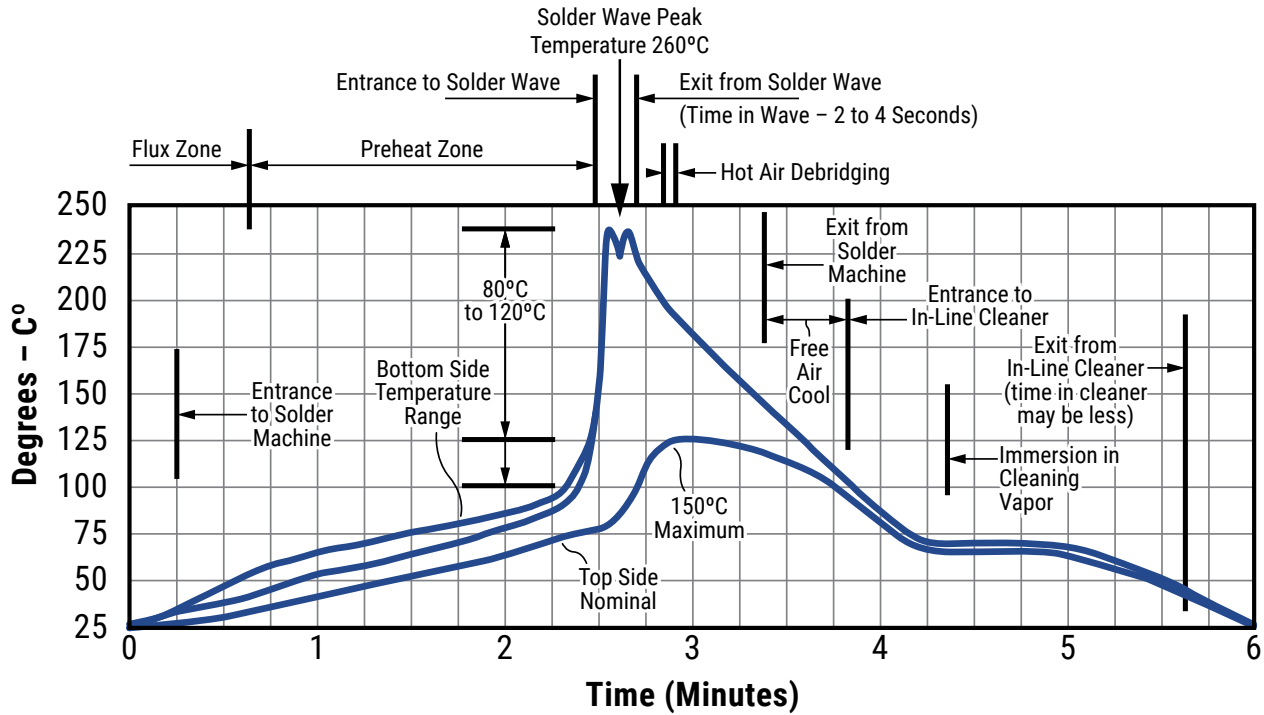
## Soldering Process

### Recommended Soldering Technique:

- Solder Wave
- Hand Soldering (Manual)

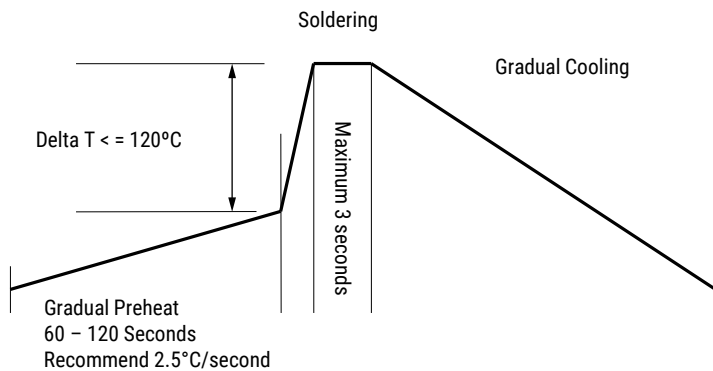
### Recommended Soldering Profile:

- Optimum Wave Solder Profile



- Hand Soldering (Manual)

### Manual Solder Profile with Pre-heating



KEMET recommends following the guidelines and techniques outlined in technical bulletins F2103 and F9207.

**Table 2 – Performance & Reliability: Test Methods and Conditions**

Stress	Reference	Test Condition	Limits
Visual & Mechanical	KEMET Internal	No defects that may affect performance (10X)	Dimensions according KEMET Spec Sheet
Capacitance (Cap)	MIL-STD-202 Method 305	C ≤ 100 pF: 1 MHz ± 100 kHz and 1.0 ± 0.2 V <sub>RMS</sub> C > 100 pF: 1 kHz ± 100 Hz and 1.0 ± 0.2 V <sub>RMS</sub>	Dimensions according KEMET Spec Sheet
Dissipation Factor (DF)	KEMET Internal	C ≤ 100 pF: 1 MHz ± 100 kHz and 1.0 ± 0.2 V <sub>RMS</sub> C > 100 pF: 1 kHz ± 100 Hz and 1.0 ± 0.2 V <sub>RMS</sub>	X7R: 2.5% COG: 0.15%
Insulation Resistance (IR)	MIL-STD-202 Method 302	Test potential: 500 V DC between capacitor element terminals Surge current: limited to 30mA Special condition: If failure at relative humidity of ≥ 50%, IR may be measured again at a relative humidity of less than 50%	Within Specification To obtain IR limit, divide MΩ-μF value by the capacitance and compare to GΩ limit. Select the lower of the two limits.  At 25°C: 100,000 megohms or 1,000 Megohm-microfarad, whichever is less. At 125°C: 10,000 megohms or 100 Megohm-microfarad, whichever is less.
Temperature Coefficient of Capacitance (TCC)	KEMET Internal	COG: 0 ppm/°C ± 30 ppm/°C X7R (R or Z): ±15%	Within Specification
Temperature Coefficient of Capacitance at Applied Voltage (TCVC)	KEMET Internal	COG: 0 ppm/°C ± 30 ppm/°C X7R: +15%/-70%	COG: Within Specification X7R: Within KEMET Specification limits
Dielectric Withstanding Voltage (DWV)	KEMET Internal	150% of rated voltage for voltage rating of 500 V ≤ V < 1,000 V 120% of rated voltage for voltage rating of ≥ 1,000 V (5 ± 1 seconds and charge/discharge not exceeding 50 mA at 25°C)	Cap: Initial Limit DF: Initial Limit IR: Initial Limit  Withstand test voltage without insulation breakdown or damage.
Aging Rate (Maximum % Capacitance Loss/Decade Hour)	KEMET Internal	Capacitance measurements (including tolerance) are indexed to a referee time of 48 or 1,000 hours. Please refer to a part number specific datasheet for referee time details.	Please refer to a part number specification sheet for specific Aging rate
Terminal Strength	MIL-STD-202 Method 211	Applied force: 5 pounds (2.3 kg)	No evidence of mechanical damage
Solderability	MIL-STD-202 Method 208	Condition: 4 hours ± 15 minutes at 155°C dry bake apply all methods Test 245 ± 5°C (SnPb & Pb-Free)	Visual Inspection. 95% coverage on termination. No leaching

**Table 2 – Performance & Reliability: Test Methods and Conditions cont.**

Stress	Reference	Test Condition	Limits
Temperature Cycling	JESD22 Method JA-104	Test condition A (5 cycles) except that in step 3, sample units shall be tested at +125°C.	Measurement at 24 hours ±4 hours after test conclusion. Cap: Initial Limit DF: Initial Limit IR: Initial Limit
Moisture Resistance	MIL-STD-202 Method 106	Number of cycles required 10, 24 hours per cycle. Steps 7a and 7b not required	Visual examination: No mechanical damage. Marking shall remain legible  Measurement at 24 hours ±4 hours after test conclusion. Within Post Environmental Limits Cap: X7R: Change not to exceed ±10% of initial measured value Cap: COG: ±0.5 percent or 5 pF, whichever is greater, of initial measured value IR: 10% of Initial Limit of the initial +25°C requirement
Thermal Shock	MIL-STD-202 Method 107	Number of cycles required 5, (-55°C to 125°C) Dwell time 15 minutes.	Cap: Initial Limit DF: Initial Limit IR: Initial Limit
High Temperature Life	MIL-STD-202 Method 108	2,000 hours at +125°C, +4°C, -0°C. With rated voltage, ±5 percent.	Within Post Environmental Limits Visual examination: No mechanical damage. Marking shall remain legible. IR: (at +25°C): Shall not be less than 30 percent of the value specified IR: (at elevated ambient temperature): Shall not be less than 30 percent of the value specified
Storage Life		1,000 hours at 125°C, Unpowered	
Vibration	MIL-STD-202 Method 204	5 g's for 20 minutes, 12 cycles each of 3 orientations. Test from 10 – 2,000 Hz	Cap: Initial Limit DF: Initial Limit IR: Initial Limit
Mechanical Shock	MIL-STD-202 Method 213	1,500 g's 0.5 ms Half-sine, Velocity Change 15.4 feet/second (Condition F)	Cap: Initial Limit DF: Initial Limit IR: Initial Limit
Resistance to Solvents	MIL-STD-202 Method 215	Add Aqueous wash chemical OKEMCLEAN (A 6% concentrated Oakite cleaner) or equivalent. Do not use banned solvents	Capacitors shall be visually examined for evidence of mechanical damage and marking.

## Storage & Handling

The un-mounted storage life of a leaded ceramic capacitor is dependent upon storage and atmospheric conditions as well as packaging materials. While the ceramic chips enveloped under the epoxy coating themselves are quite robust in most environments, solderability of the wire lead on the final epoxy-coated product will be degraded by exposure to high temperatures, high humidity, corrosive atmospheres, and long term storage. In addition, packaging materials will be degraded by high temperature and exposure to direct sunlight—reels may soften or warp, and tape peel force may increase.

KEMET recommends storing the un-mounted capacitors in their original packaging, in a location away from direct sunlight, and where the temperature and relative humidity do not exceed 40 degrees centigrade and 70% respectively. For optimum solderability, capacitor stock should be used promptly, preferably within 18 months of receipt. For applications requiring pre-tinning of components, storage life may be extended if solderability is verified. Before cleaning, bonding or molding these devices, it is important to verify that your process does not affect product quality and performance. KEMET recommends testing and evaluating the performance of a cleaned, bonded or molded product prior to implementing and/or qualifying any of these processes.

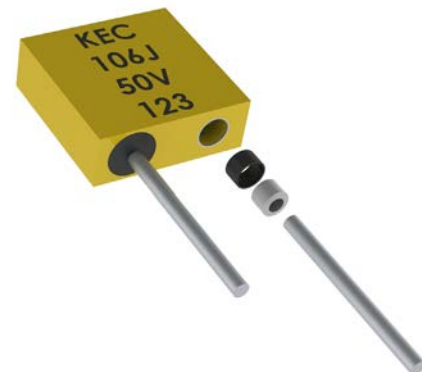
---

## Construction

Axial

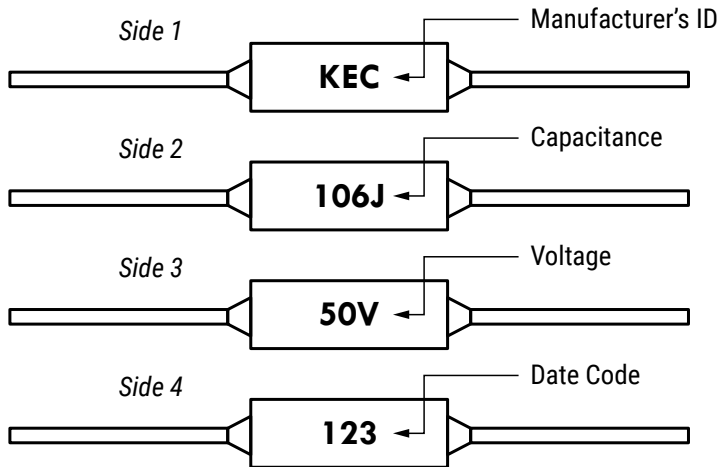


Radial

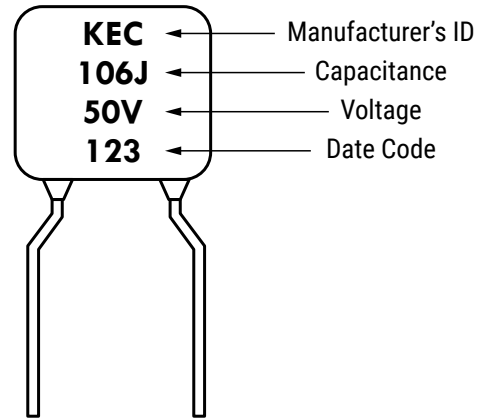


## Marking

### Axial



### Radial



## KEMET Electronics Corporation Sales Offices

For a complete list of our global sales offices, please visit [www.kemet.com/sales](http://www.kemet.com/sales).

---

### Disclaimer

All product specifications, statements, information and data (collectively, the "Information") in this datasheet are subject to change. The customer is responsible for checking and verifying the extent to which the Information contained in this publication is applicable to an order at the time the order is placed. All Information given herein is believed to be accurate and reliable, but it is presented without guarantee, warranty, or responsibility of any kind, expressed or implied.

Statements of suitability for certain applications are based on KEMET Electronics Corporation's ("KEMET") knowledge of typical operating conditions for such applications, but are not intended to constitute – and KEMET specifically disclaims – any warranty concerning suitability for a specific customer application or use. The Information is intended for use only by customers who have the requisite experience and capability to determine the correct products for their application. Any technical advice inferred from this Information or otherwise provided by KEMET with reference to the use of KEMET's products is given gratis, and KEMET assumes no obligation or liability for the advice given or results obtained.

Although KEMET designs and manufactures its products to the most stringent quality and safety standards, given the current state of the art, isolated component failures may still occur. Accordingly, customer applications which require a high degree of reliability or safety should employ suitable designs or other safeguards (such as installation of protective circuitry or redundancies) in order to ensure that the failure of an electrical component does not result in a risk of personal injury or property damage.

Although all product-related warnings, cautions and notes must be observed, the customer should not assume that all safety measures are indicated or that other measures may not be required.

*KEMET is a registered trademark of KEMET Electronics Corporation.*