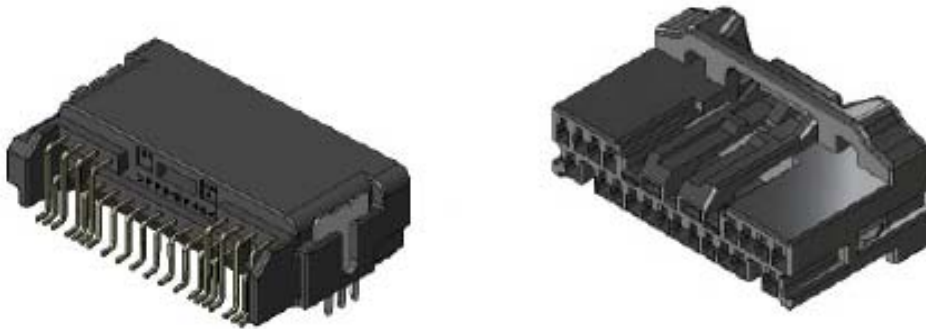


NEW
**Compact, Low-profile Connector**
MX77A SeriesCONNECTOR
MB-0326-1
November 2017**RoHS Compliant**

Recently the demand for automotive connectors that are compact, low profile and SMT (Surface Mount Technology) compatible has increased. The MX77A Series has been developed to answer these needs.

Features

- Compatible with Vehicle-mounted Specifications
- Compact right angle SMT type connector with 9.7mm mounting height
Terminal area for signal: 1.8mm pitch, terminal area for power: 2.1mm pitch
- Ultra compact terminal size 0.4mm (width of pin)
- Through hole reflow soldering compatible hold down legs provide high retention strength to PCB.
- Compatible with automated mounting with flat absorption area on connector top surface.

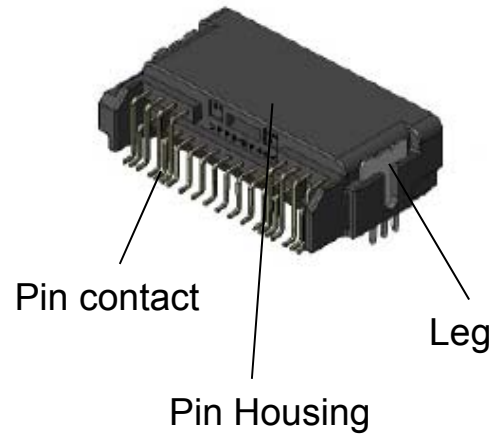
General Specifications

- No. of Contacts: 4, 8, 12, 16, 20, 24, 32, 40
- Rated Current: 3A
- Operating Temperature Range: -40 °C ~ +85 °C
- Maximum Operating Temperature: 130 °C
(Ambient temperature + temperature rise due to conduction)
- Contact Resistance: Initial 5mΩ max. (posttest 10mΩ max.)

Configurations / Materials and Finishes

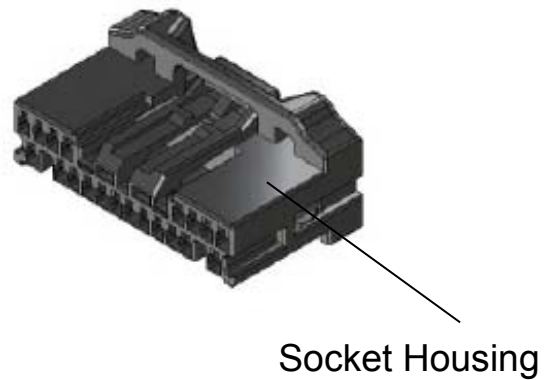
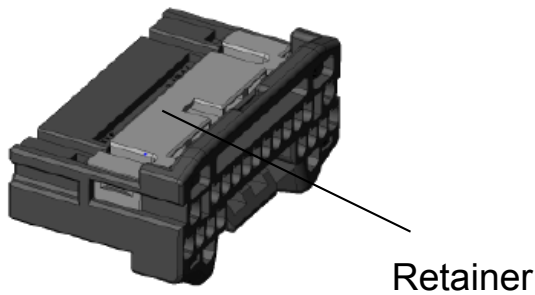
■ Angle Pin Header

Component	Material / Finish
Pin Housing	PPS-GF40
Pin Contact	Copper alloy / Sn plating
Leg	Brass / Sn plating



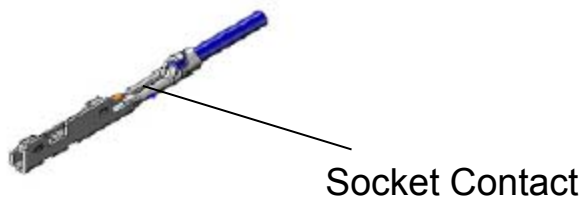
■ Socket Housing

Component	Material / Finish
Socket Housing	PBT
Retainer	PBT



■ Socket Contact

Component	Material / Finish
Socket Contact	Copper alloy / Sn plating



Pin Header and Socket Housing Part Number / Drawing No.

No. of Contacts	Angle Pin Header	Drawing No.	Socket Connector	Drawing No.
4	MX77A004HF1	SJ115704	MX77A004SF1	SJ115705
8	MX77A008HF1	SJ114911	MX77A008SF1	SJ114912
12	MX77A012HF1	SJ113562	MX77A012SF1	SJ113564
16	MX77A016HF1	SJ114781	MX77A016SF1	SJ114782
20	MX77A020HF1	SJ113935	MX77A020SF1	SJ113936
24	MX77A024HF1	SJ114909	MX77A024SF1	SJ114910
32	MX77A032HF1	SJ114907	MX77A032SF1	SJ114908
40	MX77A040HF1	SJ113561	MX77A040SF1	SJ113563

Socket Contact Part Number / Drawing No.

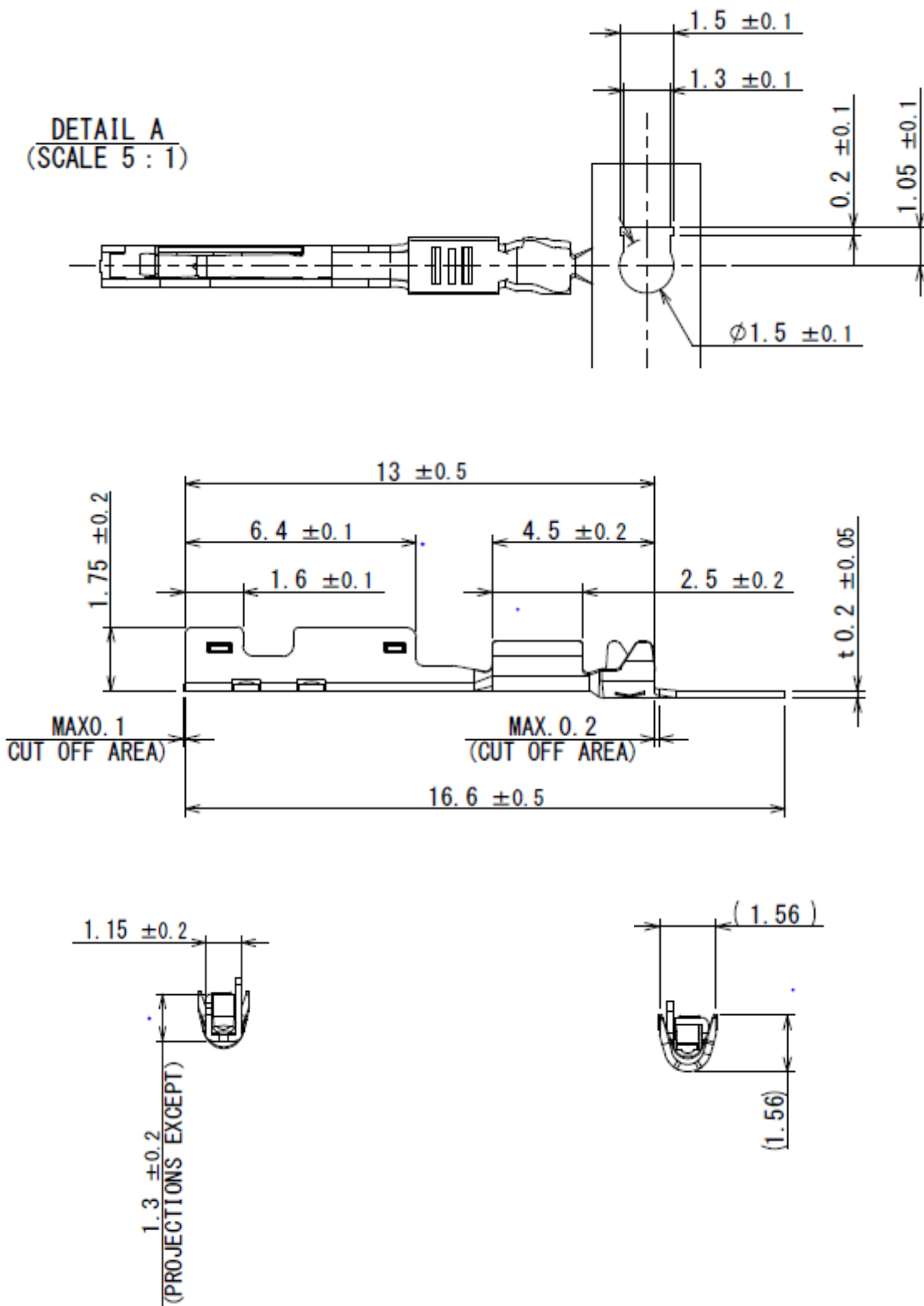
Contact Part Number	Applicable Wire (Note)	Drawing No.
MX77S13K5F1	CHFUS 0.13mm ²	SJ113565
	CIVUS 0.13mm ²	
MX77S13K4F2	CHFUS 0.22mm ²	SJ113566
	CIVUS 0.22mm ²	
MX77S13K4F1	CHFUS 0.35mm ²	SJ116307
	CIVUS 0.35mm ²	
	AVSS 0.3mm ²	

Note) AVSS wires can only be used in specified pin positions.
For details on applicable pin positions, please refer to drawings for Housing.

AVSS 0.3mm²
(CHFUS / CIVUS wires are ISO thin wall insulation type)

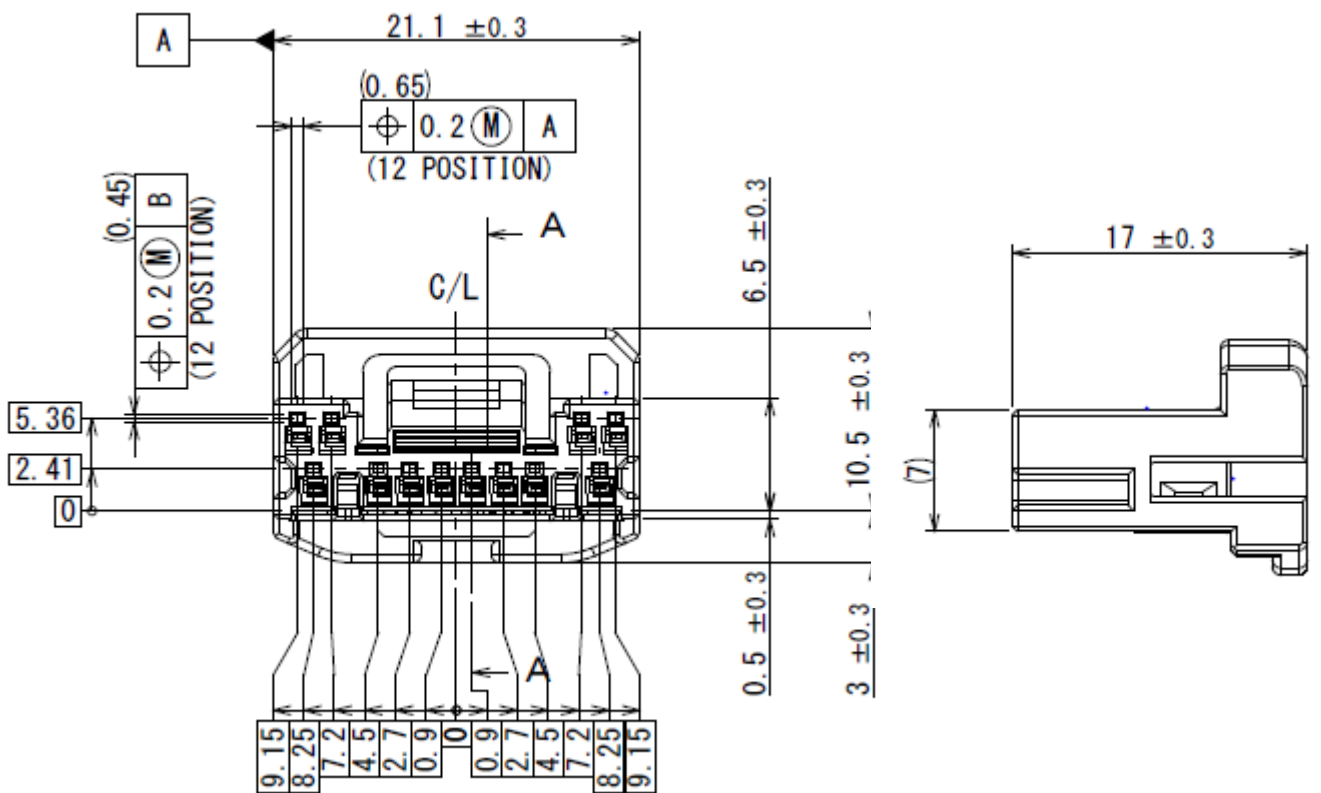
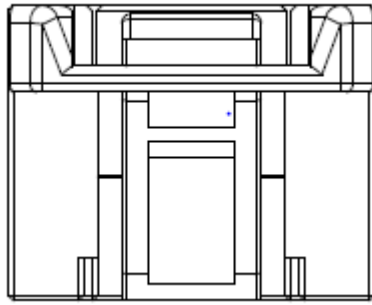
Socket Contact

Part Number: MX77S13K5F1
 Drawing No.: SJ113565



Socket Housing

Part Number: MX77A020SF1
 Drawing No.: SJ113936



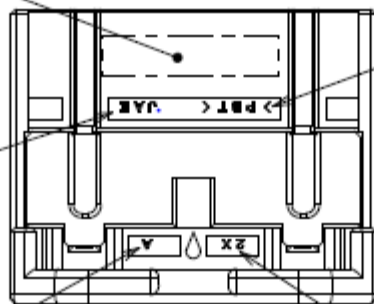
ASSEMBLY LOT NUMBER
 組立ロット番号

MATERIAL
 材料名

COMPANY LOGO
 社標

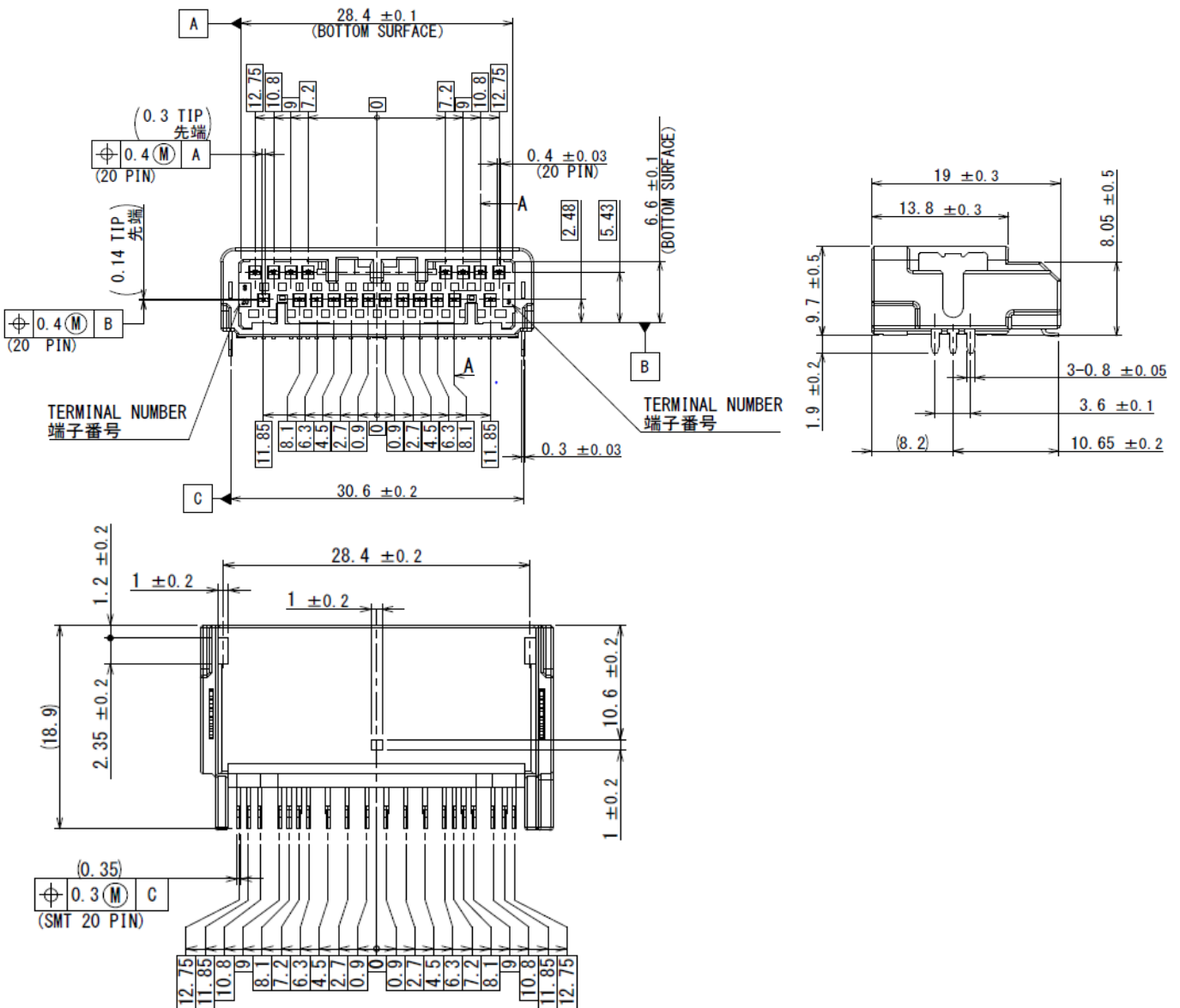
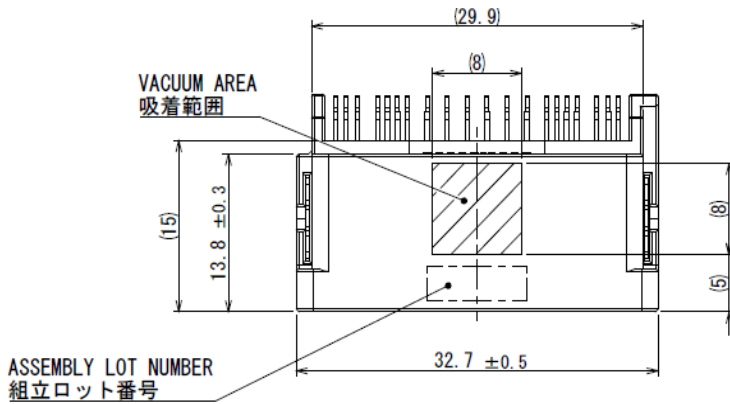
DIE MARK
 キャビティ番号

MOLDING LOT NUMBER
 成形ロット番号

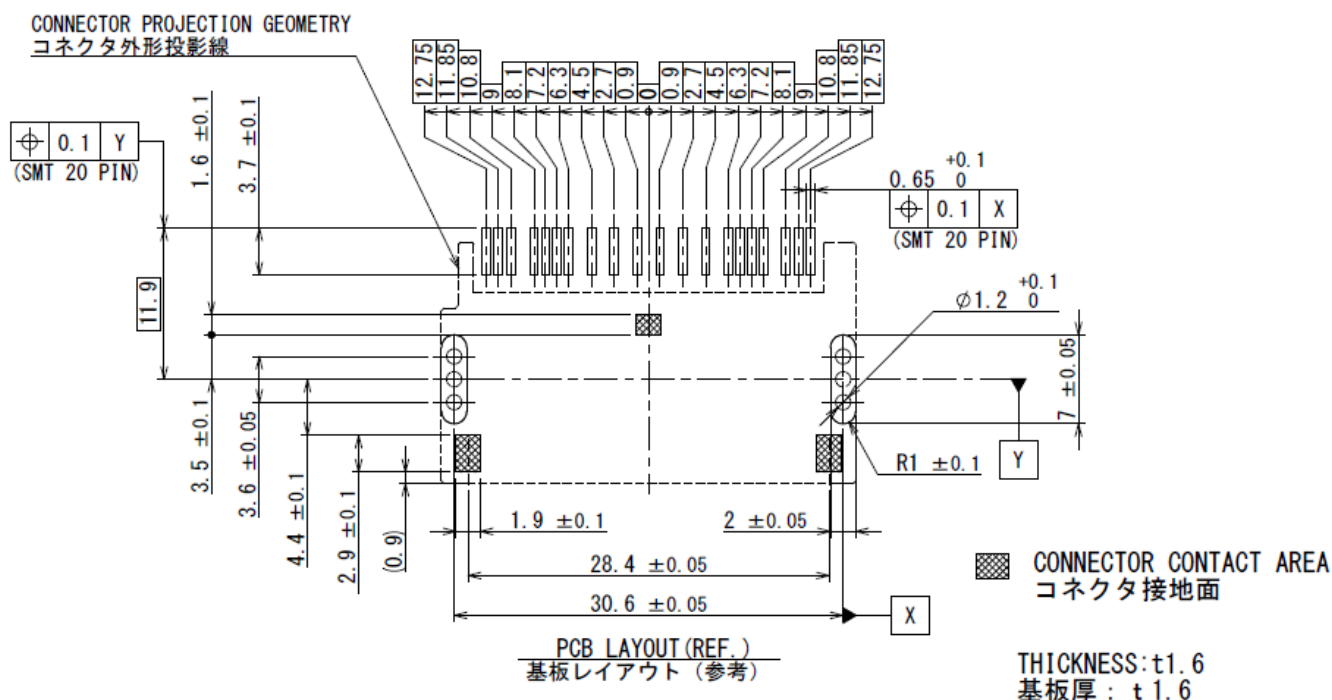


Angle Pin Header

Part Number: MX77A020HF1
 Drawing No.: SJ113935



<Applicable Board Dimensions>



Specifications

JACS-11086

Handling Instructions

J AHL-11086

Notice:

1. The values specified in this brochure are only for reference. The products and their specifications are subject to change without notice. Contact our sales staff for further information before considering or ordering any of our products. For purchase, a product specification must be agreed upon.

2. Users are requested to provide protection circuits and redundancy circuits to ensure safety of the equipment, and sufficiently review the suitability of JAE's products to the equipment.

3. The products presented in this brochure are designed for the uses recommended below. We strongly suggest you contact our sales staff when considering use of any of the products in any other way than the recommended applications or for a specific use that requires an extremely high reliability.

(1) Applications that require consultation:

(i) Please contact us if you are considering use involving a quality assurance program that you specify or that is peculiar to the industry, such as:

Automotive electrical components, train control, telecommunications devices (mainline), traffic light control, electric power, combustion control, fire prevention or security systems, disaster prevention equipment, etc.

(ii) We may separately give you our support with a quality assurance program that you specify, when you think of a use such as:

Aviation or space equipment, submarine repeaters, nuclear power control systems, medical equipment for life support, etc.

(2) Recommended applications include:

Computers, office appliances, telecommunications devices (terminals, mobile units), measuring equipment, audiovisual equipment, home electric appliances, factory automation equipment, etc.

Japan Aviation Electronics Industry, Limited

Product Marketing Division

Aobadai Building, 3-1-19, Aobadai, Meguro-ku, Tokyo 153-8539

Phone: +81-3-3780-2882 FAX: +81-3-3780-2946

* The specifications in this brochure are subject to change without notice. Please contact JAE for information.