



Part Number
Key Word



Site Search

[TOP](#)

[NEWS RELEASE](#)

[CONNECTOR SEARCH](#)

[CATALOG](#)


[SAMPLE](#)

[STOCK CHECK](#)

[TOP](#) > [FI-SE20ME](#)

Product List

Product Name	FI-SE20ME
Series Name	FI Series
Contact spacing (mm)	1.25
Number of rows	1
Number of Contacts	20
Lead free	Yes
Connector type	Cable side Plug
PCB mounting type	-
PCB mounting method	-
Wire termination method	ZIF for FPC
Applicable wire	FPC
Finish of contact in connecting area	Gold over Nickel

Finish of contact in terminal area	Tin/Tin-alloy over Nickel
Finish of contact in PCB mounting area	-
Material of housing	Glass-filled PPS (UL94V-0)
PCB side connector styles	-
PCB mounted height (mm)	-
Electro magnetic shield function	Yes
Remarks	FPC signal line upper-side contact type
Related Documents	 122Kbytes
Pair	

Notice:

1. The values specified in this web site are only for reference. The products and their specifications are subject to change without notice. Contact our sales staff for further information before considering or ordering any of our products.
For purchase, a product specification must be agreed upon.
2. Users are requested to provide protection circuits and redundancy circuits to ensure safety of the equipment, and sufficiently review the suitability of JAE's products to the equipment.
3. The products presented in this web site are designed for the uses recommended below. We strongly suggest you contact our sales staff when considering use of any of the products in any other way than the recommended applications or for a specific use that requires an extremely high reliability.

(1) Applications that require consultation:

- (i) Please contact us if you are considering use involving a quality assurance program that you specify or that is peculiar to the industry, such as:
Automotive electrical components, train control, telecommunications devices (mainline), traffic light control, electric power, combustion control, fire prevention or security systems, disaster evention equipment, etc.
- (ii) We may separately give you our support with a quality assurance program that
you specify, when you think of a use such as :

Aviation or space equipment, submarine repeaters, nuclear power control systems, medical equipment for life support, etc.

(2) Recommended applications include:

Computers, office appliances, telecommunications devices (terminals, mobile units), measuring equipment, audiovisual equipment, home electric appliances, factory automation equipment, etc

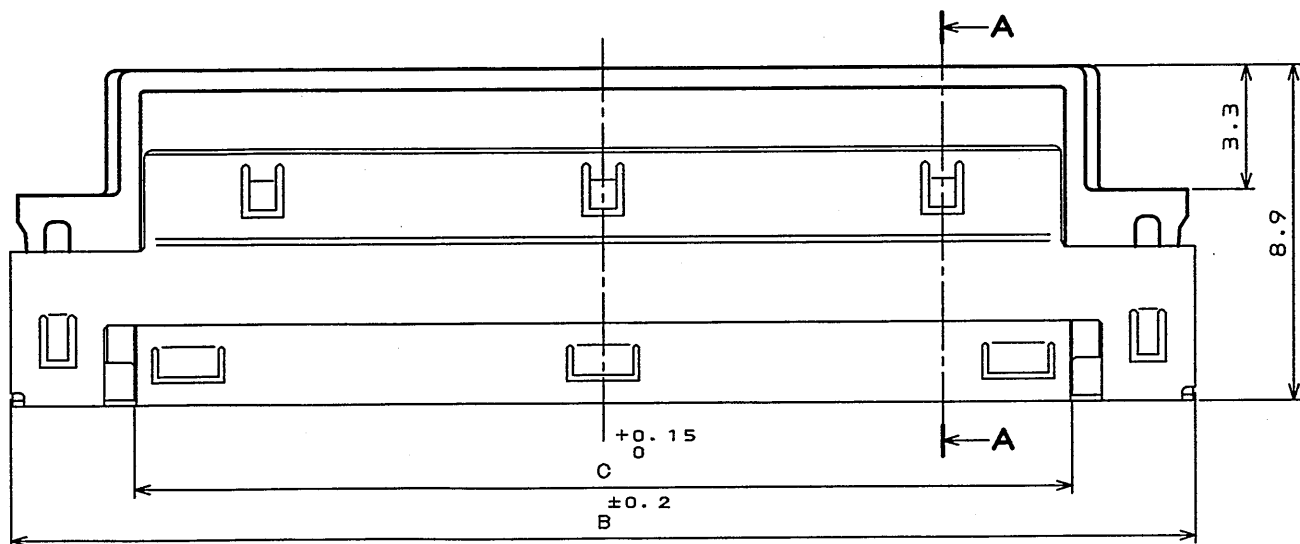
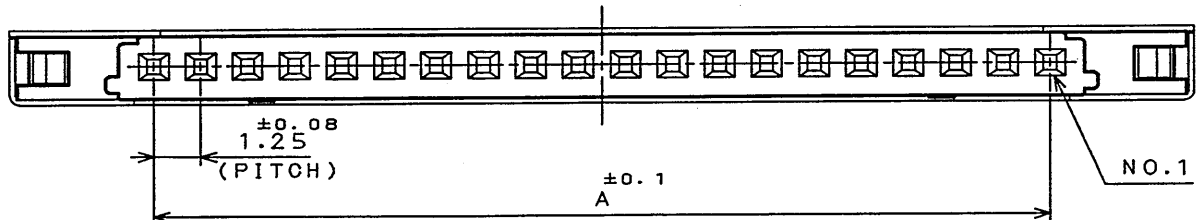
Z05001PS

(DRAWING NO.) 図面番号

NOTE1. ONCE YOU CLOSE THE SLIDER COVERED WITH SHELL, SPECIAL JIG IS NECESSARY TO EXTRACT IT.

注1. 本製品は、スライダーを一度ロックさせ再び開放するには、専用の治具が必要となります。

版数 REV.	年月日 DATE	DCN NO.	変更内容 DESCRIPTION	製図 DR.	担当 CHK.	査閲 APPD.	承認 APPD.



COMPANY LOGO "JAE" POSITION
社標表示位置

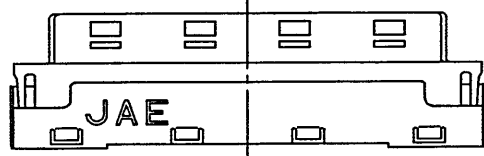
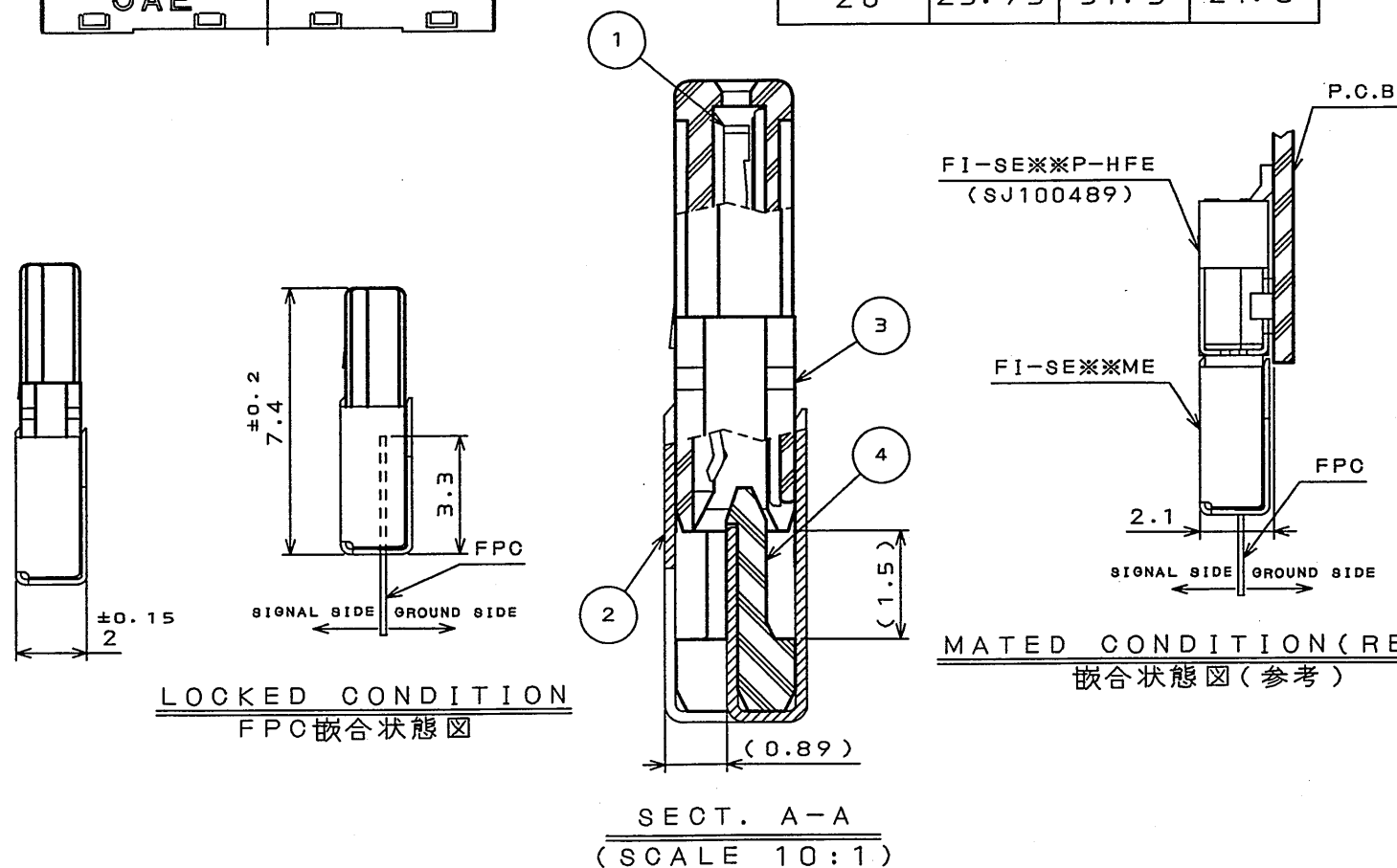


TABLE 1

DIMENSION NO. OF CONTACTS(N)	A	B	C
20	23.75	31.5	24.8



LOCKED CONDITION
FPC嵌合状態図

SECT. A-A
(SCALE 10:1)

FI-SE**P-HFE
(SJ100489)

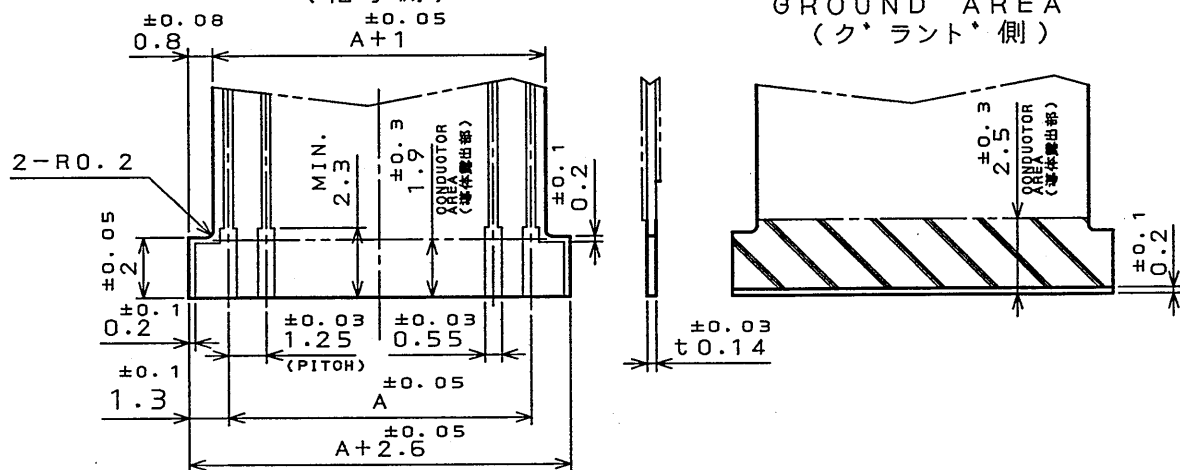
FI-SE**ME

FPC

MATED CONDITION(REF.)
嵌合状態図(参考)

SIGNAL AREA
(信号側)

GROUND AREA
(グラント側)



F.P.C. PATTERN DIMENSION(REF.)
FPCパターン寸法(参考)

符号 NO.	名称 DESCRIPTION	個数 QTY.	材料 MATERIAL	仕上 FINISH	備考 REMARKS
4	SLIDE INSULATOR スライド インシュレータ	1	GLASS FILLED PPS ガラス入り PPS	—	UL94V-0 BROWN(茶)
3	BASE INSULATOR ベース インシュレータ	1	GLASS FILLED PPS ガラス入り PPS	—	UL94V-0 BLACK(黒)
2	SHELL シェル	1	COPPER ALLOY 銅合金	TIN PLATING Snメッキ	—
1	CONTACT コンタクト	N	COPPER ALLOY 銅合金	MATING SIDE: GOLD OVER NICKEL FPC SIDE: (LEAD FREE) TIN/TIN ALLOY OVER NICKEL	ピン嵌合側: Ni上Auメッキ FPC嵌合側: Ni上銅または銅合金(無鉛)メッキ

仕様書(SPECIFICATION)	第1版(ORIGINAL DATE)	尺(SCALE)	JAE-CONNECTOR.COM Reference Only JAPAN AVIATION ELECTRONICS INDUSTRY, LTD.
JACS-1526	10.Dec.2003	5:1	
製図 DR.	H.SAKURADA	名称(TITLE)	
担当 CHK.	T.YAMAJI	FI-SE**ME	
査閲 APPD.	<i>M. Suzuki</i>	重量(WEIGHT)	図面番号(DRAWING NO.) SJ100502
承認 APPD.	<i>Y. Akhymova</i>		

LEAD FREE この製品は鉛フリー品です

JAE CONNECTOR DIV. PROPRIETARY.
COPYRIGHT(C) 2003, JAPAN AVIATION ELECTRONICS INDUSTRY, LTD.

DOF-0-212E(03.08)



SIZE A3

版数 (REV.)

1