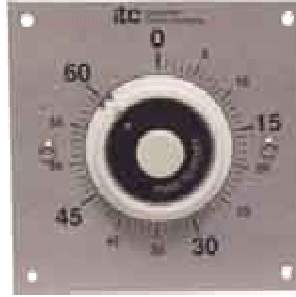


MPB & LPB

INTERVAL TIMERS

Industrial Timer Company
 30 Industrial Park Road
 Centerbrook, CT 06409
 800-394-7130
www.industrialtimercompany.com



DESCRIPTION

The MPB & LPB Series are automatic reset, push-button operated interval timers. The MPB features an attractive bezel framed dial with time selector ring and start button combined into a single assembly. The LPB is panel mounted. Time interval indication is viewed by a moving white pointer located within the selector ring.

APPLICATION

These low cost timers are designed for applications where the operator has easy access to the timer and where appearance is of some importance. Typical applications include: exercise equipment, pollution control equipment, and graphics arts cameras.

OPERATION

- 1) To set the time interval, set the pointer ring so it points to the desired time.
- 2) To start the time interval, press the button in the center of the timer. The timer will reset to the set position on the dial and will start timing to zero. Do not push the "push button" while the unit is timing. The timer will reset.
- 3) The progress pointer will remain at zero until the "push button" is pushed for another timing function.

SPECIFICATIONS

Repeat Accuracy	±0.5% of full scale
Reset Time	0.5 seconds max
Load Switch Contacts	SPDT switch rated at 15 amps non-inductive
Wiring	Motor – 6" leads Switch – ¼" push on terminals
Motor Voltage	120V/60Hz standard. Consult factory for other voltages and frequencies.
Agency Approval	UL, CSA

STANDARD MODELS

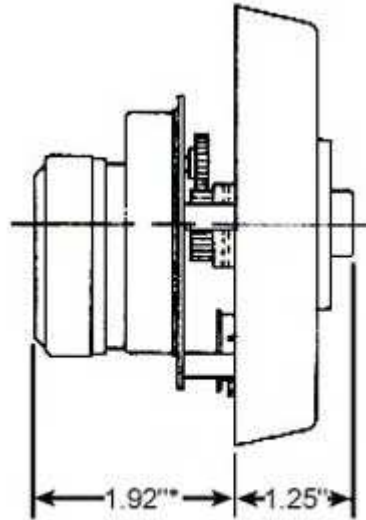
Model Number		Minimum Setting	Maximum Setting
MPB-60S	LPB-60S	1 sec	60 sec.
MPB-3M	LPB-3M	3 sec.	3 min.
MPB-5M	LPB-5M	5 sec.	5 min.
MPB-10M	LPB-10M	10 sec.	10 min.
MPB-15M	LPB-15M	15 sec.	15 min.
MPB-30M	LPB-30M	30 sec.	30 min.
MPB-60M	LPB-60M	1 min.	60 min.
MPB-3H	LPB-3H	3 min.	3 hrs.

MPB & LPB

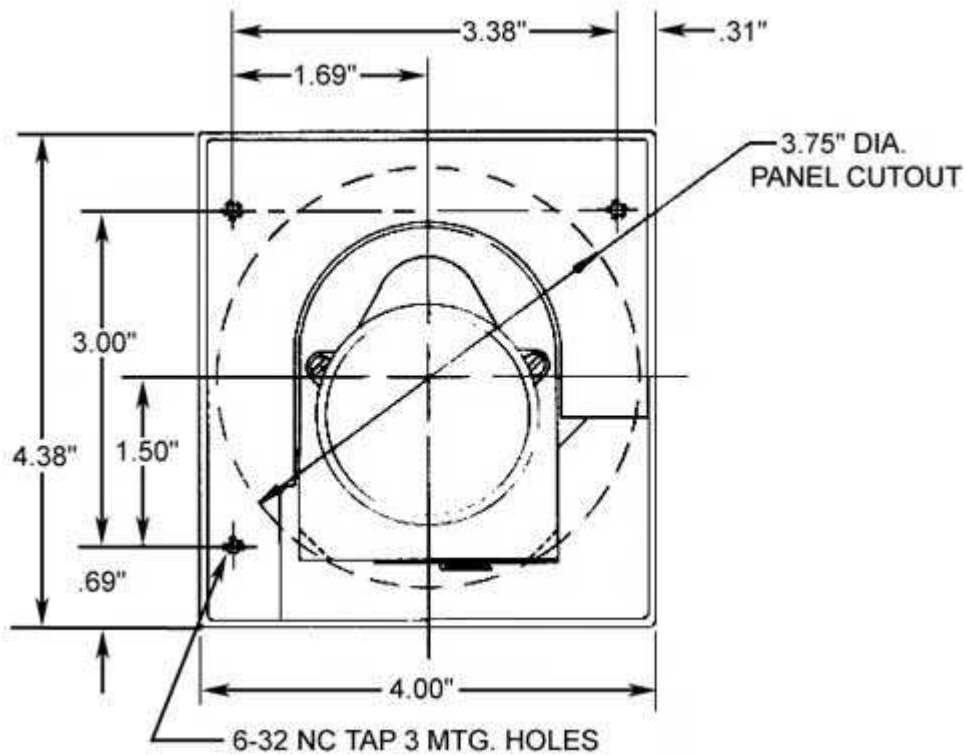
INTERVAL TIMERS

Industrial Timer Company
30 Industrial Park Road
Centerbrook, CT 06409
800-394-7130
www.industrialtimercompany.com

MPB DIMENSIONS



*ADD .265" FOR TIMING
OF 2 HOURS OR MORE

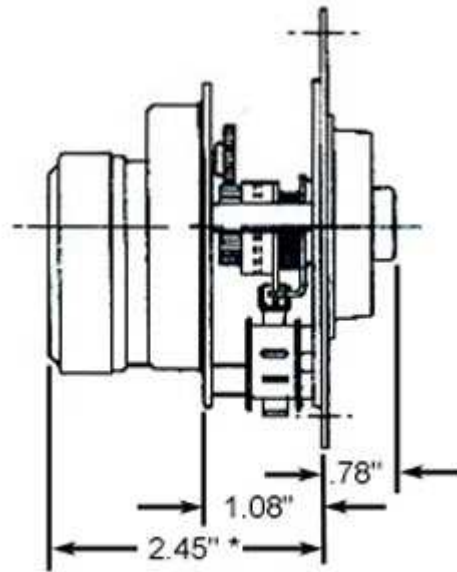


MPB & LPB

INTERVAL TIMERS

Industrial Timer Company
30 Industrial Park Road
Centerbrook, CT 06409
800-394-7130
www.industrialtimercompany.com

LPB DIMENSIONS



***ADD .265" FOR TIMING
OF 2 HOURS OR MORE**

