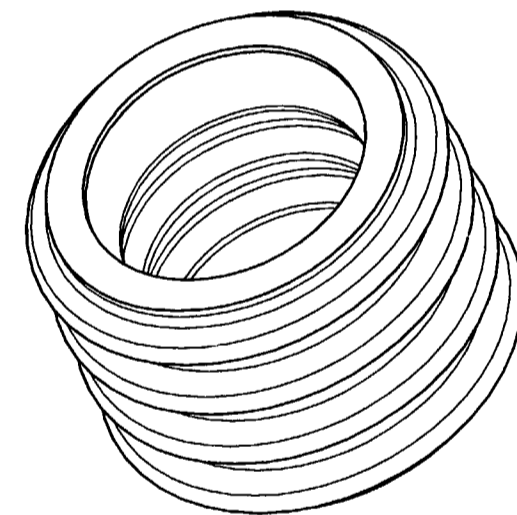
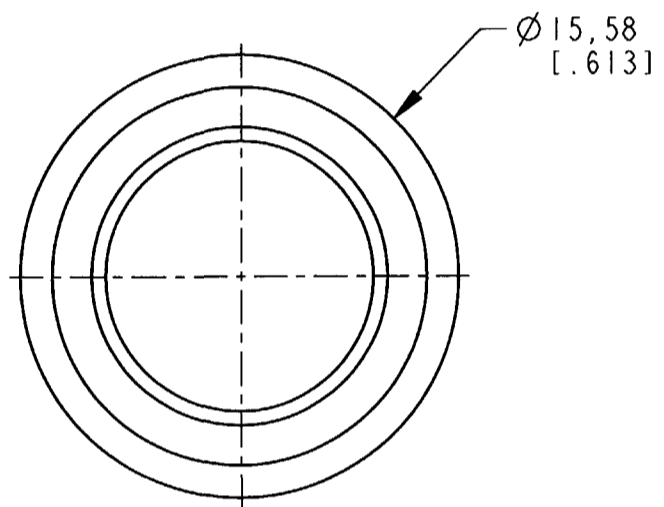
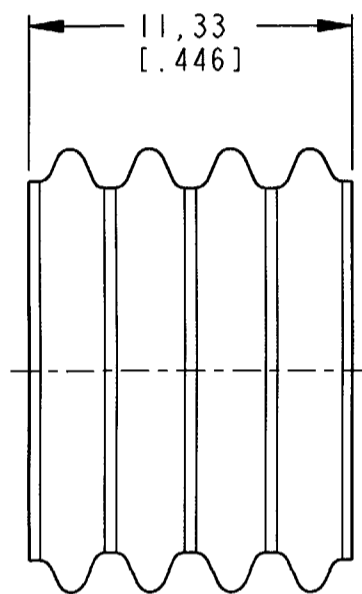


REV NC	SRK-WS-35-001	REVISIONS		
	SYM	DESCRIPTION	DATE	APPROVED
	NC	NEW RELEASE PER E.O. P20282	7-31-09	ADR



3D VIEW

GROMMET WIRE SEALING RANGE
INSULATION RANGE
10.00-12.00 [.394-.472]

- 5. FOR ASSEMBLY AND CRIMP INFORMATION, SEE DRAWING 8925-003-0000.
 - 4. MATERIAL: SILICONE (BLUE).
 - 3. PART FITS INTO RECEPTACLE SRK02-SM*-01A-001 AND PLUG SRK06-SM*-01A-001 WHERE * = KEYING ARRANGEMENT.
 - 2. DIMENSIONS ARE ±.64 [0.025].
 - 1. DIMENSIONS ARE IN MILLIMETERS [INCHES].
- NOTES: UNLESS OTHERWISE SPECIFIED

	SIGNATURE & DATE
DR	P. CARNAHAN 7/31/09
CHK	D. Meyer 7/31/09
PE	Paul Land 7/31/09
APPD	R. Reed 7-31-09
SCALE	NONE
WT	

GROMMET
 Ø8MM CONTACT
 SRK SERIES
 ENVELOPE

EP 200	MATL CODE
3850 INDUSTRIAL AVE. HEMET, CA 92545	
DEUTSCH INDUSTRIAL	
B SRK-WS-35-001	
DWG SIZE	CODE 11139 SHEET 1 OF 1