

HD34-24-16SE ✓ ACTIVE

TE Internal #: HD34-24-16SE

TE Internal Description: REC, 16P, AL, E, 12, S

DEUTSCH HD30 Housings

[View on TE.com >](#)



[All DEUTSCH HD30 Housings \(324\)](#)

Product Compliance

[For compliance documentation, visit the product page on TE.com>](#)

| | |
|---|---|
| EU RoHS Directive 2011/65/EU | Compliant |
| EU ELV Directive 2000/53/EC | Compliant |
| China RoHS 2 Directive MIIT Order No 32, 2016 | 有害物质含量符合标准要求 No Restricted Substance(s) Above Threshold |
| EU REACH Regulation (EC) No. 1907/2006 | Current ECHA Candidate List: JUNE 2025 (250) Candidate List Declared Against: JUNE 2025 (250) Does not contain REACH SVHC |
| Halogen Content | Not Low Halogen - contains Br or Cl > 900 ppm. |
| Solder Process Capability | Not reviewed for solder process capability |

Product Compliance Disclaimer

This information is provided based on reasonable inquiry of our suppliers and represents our current actual knowledge based on the information they provided. This information is subject to change. The part numbers that TE has identified as EU RoHS compliant have a maximum concentration of 0.1% by weight in homogenous materials for lead, hexavalent chromium, mercury, PBB, PBDE, DBP, BBP, DEHP, DIBP, and 0.01% for cadmium, or qualify for an exemption to these limits as defined in the Annexes of Directive 2011/65/EU (RoHS2). Finished electrical and electronic equipment products will be CE marked as required by Directive 2011/65/EU. Components may not be CE marked. Additionally, the part numbers that TE has identified as EU ELV compliant have a maximum concentration of 0.1% by weight in homogenous materials for lead, hexavalent chromium, and mercury, and 0.01% for cadmium, or qualify for an exemption to these limits as defined in the Annexes of Directive 2000/53/EC (ELV). Regarding the REACH Regulation, the information TE provides on SVHC in articles for this part number is based on the latest European Chemicals Agency (ECHA) 'Guidance on requirements for substances in articles' posted at this URL: <https://echa.europa.eu/guidance-documents/guidance-on-reach>

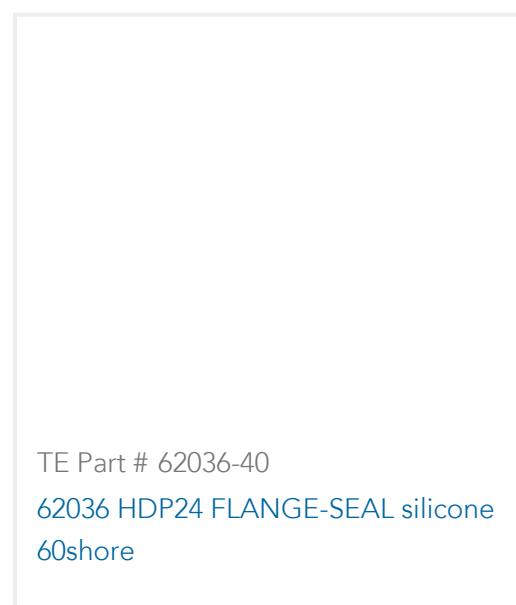
Compatible Parts



TE Part # CAT-D48-SFT273
DEUTSCH Connector Stamped and Formed Contacts - Reel



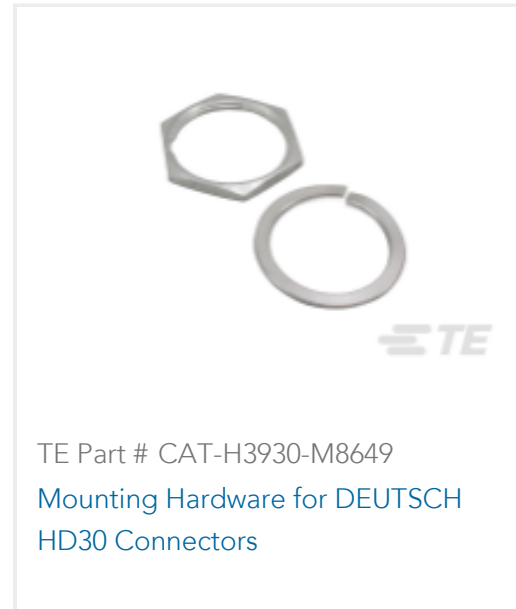
TE Part # 0413-214-1205
SEALING PLUG, SIZE 12, KEYING, YEL



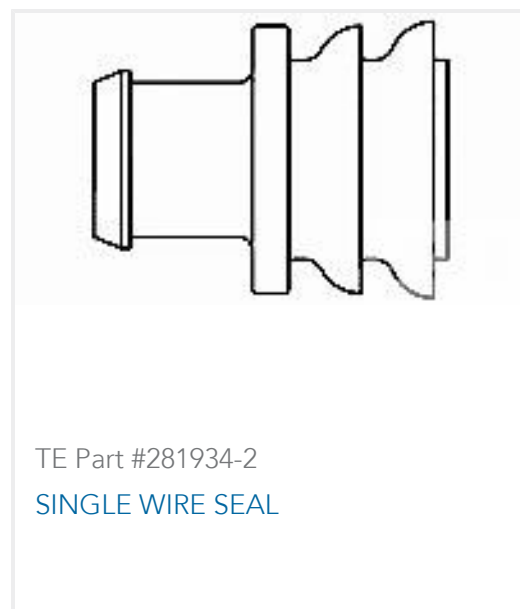
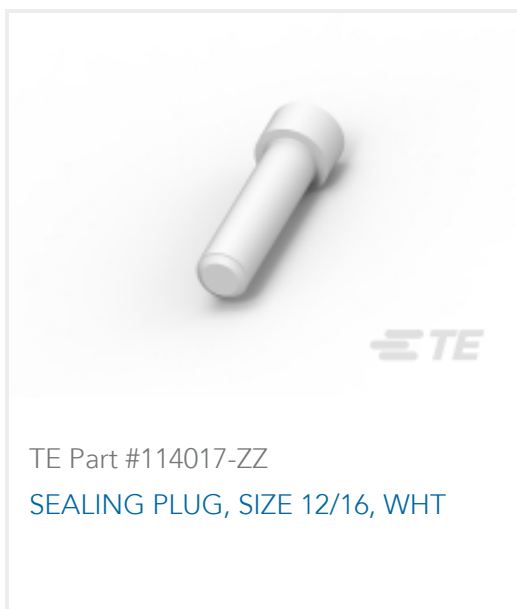
TE Part # 62036-40
62036 HDP24 FLANGE-SEAL silicone 60shore



TE Part # CAT-H3930-CH8172
DEUTSCH HD30 Housings



Customers Also Bought



Documents



Product Drawings

REC, 16P, AL, E, 12, S

English

CAD Files

3D PDF

3D

Customer View Model

[ENG_CVM_CVM_HD34-24-16SE_A.2d_dxf.zip](#)

English

Customer View Model

[ENG_CVM_CVM_HD34-24-16SE_A.3d_igs.zip](#)

English

Customer View Model

[ENG_CVM_CVM_HD34-24-16SE_A.3d_stp.zip](#)

English

By downloading the CAD file I accept and agree to the [Terms and Conditions](#) of use.

Product Specifications

Application Specification

English