

DRCP25-86PAA-G005 ✓ ACTIVE

DEUTSCH | DEUTSCH DRCP

TE Internal #: DRCP25-86PAA-G005

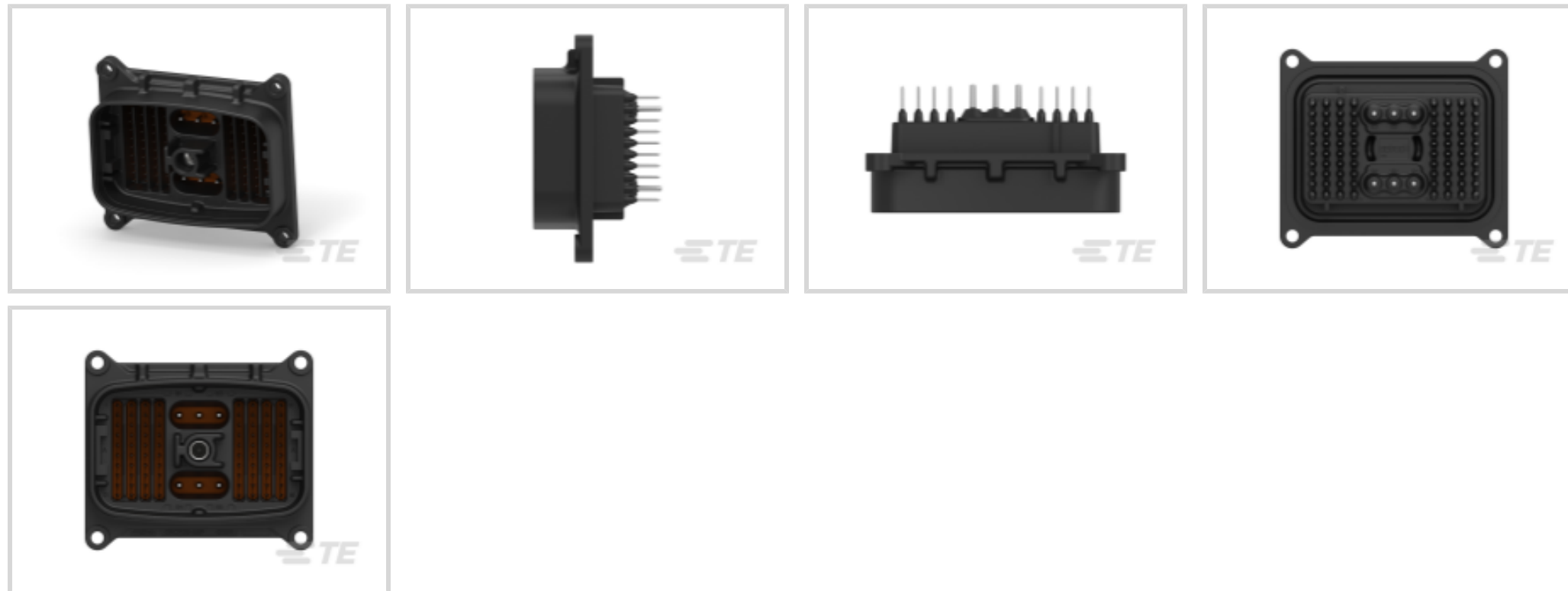
Vertical, Wire-to-Board, 86 Position, 10 / 2 Rows, 4mm [.157in]

Centerline, Tin (Sn), Sealable, Wire & Cable, DEUTSCH DRCP

[View on TE.com >](#)



Automotive Parts > Automotive Connectors > Automotive Headers



PCB Mount Orientation: **Vertical**

Contact Current Rating (Max): **7.5 A, 25 A**

Termination Method to PCB: **Through Hole - Solder**

Sealable: **Yes**

Centerline (Pitch): **4 mm [.157 in]**

Features

Product Type Features

Connector Product Type	Connector Assembly
Mixed & Hybrid Header	Yes
Header Type	Fully Shrouded
Connector Shape	Rectangular
Sealable	Yes
Connector System	Wire-to-Board
Connector & Contact Terminates To	Wire & Cable

Configuration Features

Number of Signal Positions	80
Number of Sections	2
PCB Mount Orientation	Vertical
Number of Positions	86
Number of Rows	2, 10

Electrical Characteristics



Operating Voltage	250 VDC
Voltage Rating (Max)	250 VDC
Nominal Voltage Architecture	12 V, 24 V

Body Features

Connector & Keying Code	AA
Primary Product Color	Black

Contact Features

Mating Pin Diameter	1.02 mm, 2.42 mm [.04 in][.094 in]
Contact Type	Pin
Contact Current Rating (Max)	7.5 A, 25 A
Contact Mating Area Plating Material	Tin (Sn)

Termination Features

Termination Method to PCB	Through Hole - Solder
---------------------------	-----------------------

Mechanical Attachment

Panel Mount Feature	With
Mating Retention Type	Locking Interface
PCB Mount Retention	Without
Mounting Holes	With
PCB Mount Retention Type	Mounting Screw
Mating Alignment	With
PCB Mount Alignment	With
Connector Mounting Type	Panel Mount

Housing Features

Centerline (Pitch)	4 mm [.157 in]
--------------------	----------------

Dimensions

Connector Width	91.6 mm [3.606 in]
PCB Thickness (Recommended)	.78 – 3.18 mm [.031 – .125 in]
Connector Length	44.54 mm [1.753 in]
Profile Height from PCB	31.9 mm [1.256 in]

Usage Conditions

Operating Temperature (Max)	125 °C [257 °F]
Operating Temperature Range	-55 – 125 °C [-67 – 257 °F]



Operation/Application

Shielded	No
Circuit Application	Power & Signal

Industry Standards

IP Rating	Not Tested
UL Flammability Rating	Not Tested

Packaging Features

Packaging Quantity	48
Packaging Method	Box

Product Compliance

[For compliance documentation, visit the product page on TE.com>](#)

EU RoHS Directive 2011/65/EU	Compliant with Exemptions
EU ELV Directive 2000/53/EC	Compliant with Exemptions
China RoHS 2 Directive MIIT Order No 32, 2016	Restricted Materials Above Threshold
EU REACH Regulation (EC) No. 1907/2006	Current ECHA Candidate List: JAN 2025 (247) Candidate List Declared Against: JAN 2025 (247) SVHC > Threshold: Pb (1.2% in 74005426) Article Safe Usage Statements: Do not eat, drink or smoke when using this product. Wash thoroughly after handling. Recycle if possible and dispose of the article by following all applicable governmental regulations relevant to your geographic location.
Halogen Content	BFR/CFR/PVC Free, but Br/Cl >900 ppm in other sources.
Solder Process Capability	Not reviewed for solder process capability

Product Compliance Disclaimer

This information is provided based on reasonable inquiry of our suppliers and represents our current actual knowledge based on the information they provided. This information is subject to change. The part numbers that TE has identified as EU RoHS compliant have a maximum concentration of 0.1% by weight in homogenous materials for lead, hexavalent chromium, mercury, PBB, PBDE, DBP, BBP, DEHP, DIBP, and 0.01% for cadmium, or qualify for an exemption to these limits as defined in the Annexes of Directive 2011/65/EU (RoHS2). Finished electrical and electronic equipment products will be CE marked as required by Directive 2011/65/EU. Components may not be CE marked. Additionally, the part numbers that TE has identified as EU ELV compliant have a maximum concentration of 0.1% by weight in homogenous materials for lead, hexavalent chromium, and mercury, and 0.01% for cadmium, or qualify for an exemption to these limits as defined in the Annexes of Directive 2000/53/EC (ELV). Regarding the REACH Regulation, the information TE provides on SVHC in articles for this part number is based on the latest European Chemicals Agency (ECHA) 'Guidance on requirements for substances in articles' posted at this URL: <https://echa.europa.eu/guidance-documents/guidance-on-reach>



Compatible Parts



TE Part # DRCPF-86A-1
FLANGE, MOUNT, 86P, BLK



TE Part # DRCP28-86SA
PLG, 86P, BLK, 12/20, A



TE Part # DRCP25-86PBB-GC03
HDR, 86P, BLK, ST, 12/20, AU/NI/CU, BB

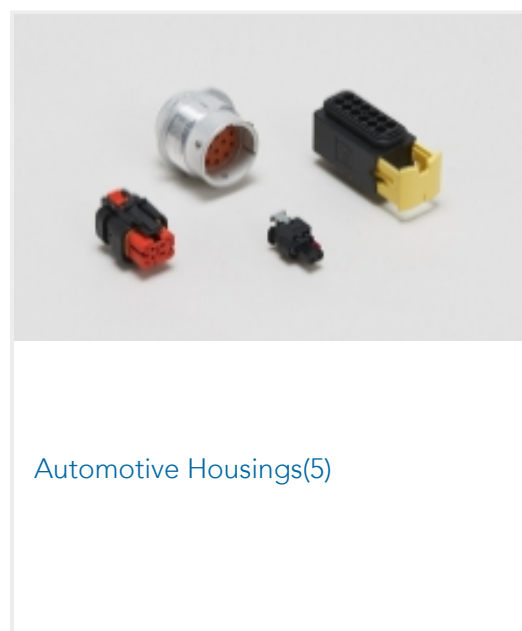


TE Part # DT-RT1
EXT TOOL, FRONT RELEASE

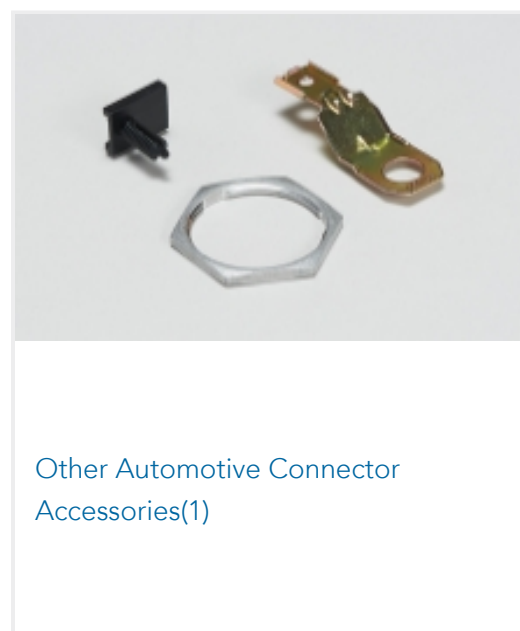


TE Part # DRCP25-86PBB-GC05
HDR, 86P, BLK, ST, 12/20, SN/NI/CU, BB

Also in the Series | DEUTSCH DRCP



Automotive Housings(5)

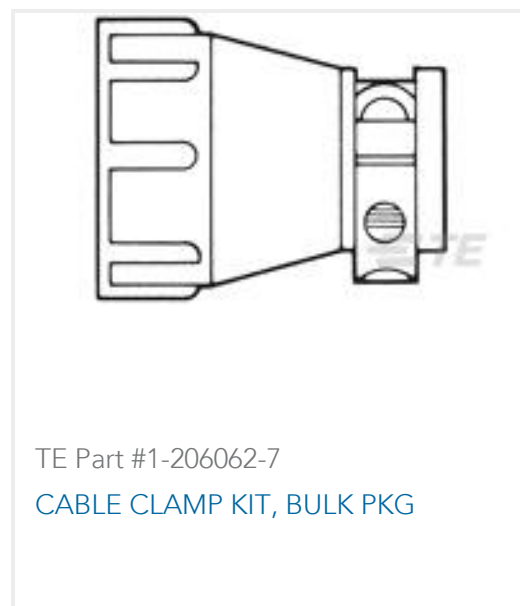


Other Automotive Connector Accessories(1)

Customers Also Bought



TE Part #DRCP25-86PCC-GC05
HDR, 86P, BLK, ST, 12/20, SN/NI/CU, CC



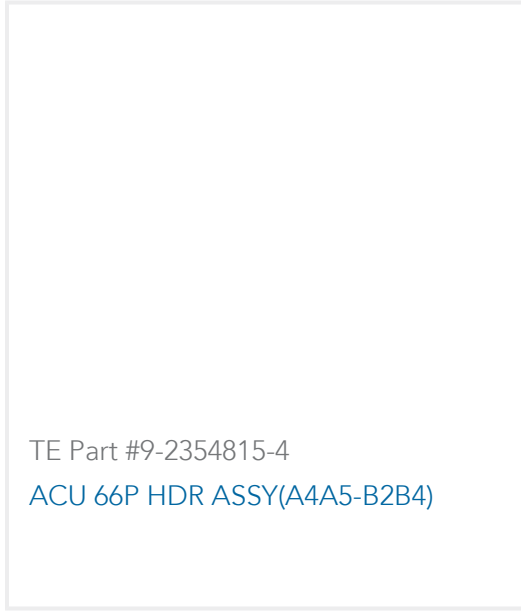
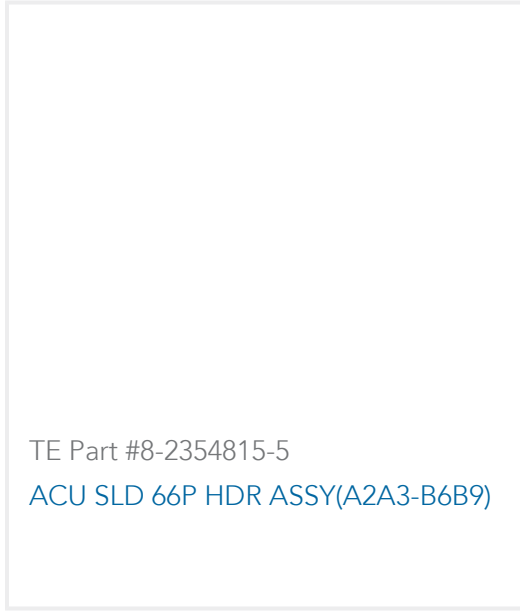
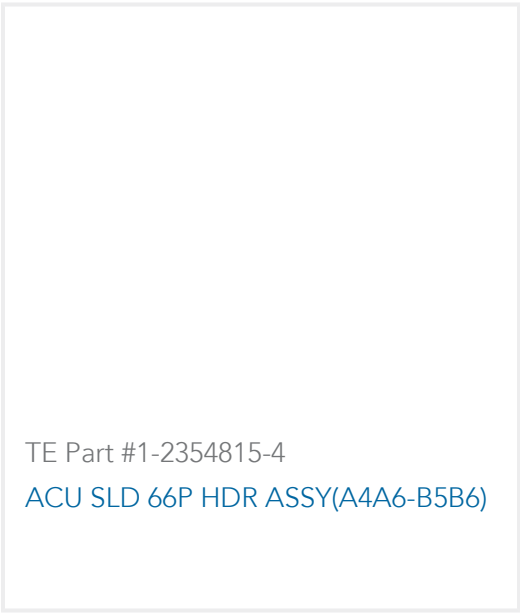
TE Part #1-206062-7
CABLE CLAMP KIT, BULK PKG



TE Part #206153-1
11-4 F.H. RECEPT. STD. SEX



TE Part #1-1394155-4
40pos MQS .63 header 90deg



Documents

Product Drawings

[HDR, 86P, BLK, ST, 12/20, SN/NI/CU, AA](#)

English

CAD Files

[3D PDF](#)

3D

Customer View Model

[ENG_CVM_CVM_DRCP25-86PAA-G005_C_c-drcp25-86paa-g005-c.2d_dxf.zip](#)

English

Customer View Model

[ENG_CVM_CVM_DRCP25-86PAA-G005_C_c-drcp25-86paa-g005-c.3d_igs.zip](#)

English

Customer View Model

[ENG_CVM_CVM_DRCP25-86PAA-G005_C_c-drcp25-86paa-g005-c.3d_stp.zip](#)

English

By downloading the CAD file I accept and agree to the [Terms and Conditions](#) of use.

Product Specifications

[Product Specification](#)

English

Agency Approvals

[Agency Approval Document](#)

English