



Connectors > Automotive Connectors > Automotive Housings > DT-XT 4-way Receptacle Connectors



Number of Positions: 4

Connector & Housing Type: Receptacle

Mating Pin Diameter: 1.56 mm [ .061 in ]

Connector System: Wire-to-Wire

Centerline (Pitch): 4.5 mm [ .177 in ]

[All DT-XT 4-way Receptacle Connectors \(0\)](#)

## Features

### Product Type Features

|                                   |                       |
|-----------------------------------|-----------------------|
| Mixed & Hybrid Connector          | No                    |
| Connector Shape                   | Rectangular           |
| Connector & Housing Type          | Receptacle            |
| Connector System                  | Wire-to-Wire          |
| Sealable                          | Yes                   |
| Primary Locking Feature           | Integrated in Housing |
| Connector & Contact Terminates To | Wire & Cable          |

### Configuration Features

|                     |   |
|---------------------|---|
| Number of Positions | 4 |
| Number of Rows      | 2 |

### Body Features

|                       |       |
|-----------------------|-------|
| Primary Product Color | Black |
|-----------------------|-------|

### Contact Features

|              |         |
|--------------|---------|
| Contact Size | Size 16 |
|--------------|---------|

|                     |                  |
|---------------------|------------------|
| Mating Pin Diameter | 1.56 mm[.061 in] |
|---------------------|------------------|

### Mechanical Attachment

|                       |              |
|-----------------------|--------------|
| Mating Alignment Type | Polarization |
|-----------------------|--------------|

|                  |      |
|------------------|------|
| Mating Alignment | With |
|------------------|------|

|                         |                            |
|-------------------------|----------------------------|
| Connector Mounting Type | Cable Mount (Free-Hanging) |
|-------------------------|----------------------------|

### Housing Features

|                    |                 |
|--------------------|-----------------|
| Centerline (Pitch) | 4.5 mm[.177 in] |
|--------------------|-----------------|

### Usage Conditions

|                             |                |
|-----------------------------|----------------|
| Operating Temperature (Max) | 125 °C[257 °F] |
|-----------------------------|----------------|

### Other

|                                      |    |
|--------------------------------------|----|
| Connector Position Assurance Capable | No |
|--------------------------------------|----|

## Product Compliance

[For compliance documentation, visit the product page on TE.com>](#)

|                              |           |
|------------------------------|-----------|
| EU RoHS Directive 2011/65/EU | Compliant |
|------------------------------|-----------|

|                             |           |
|-----------------------------|-----------|
| EU ELV Directive 2000/53/EC | Compliant |
|-----------------------------|-----------|

|   |   |
|---|---|
| China RoHS 2 Directive MIIT Order No 32, 2016 | No Restricted Materials Above Threshold |
|---|---|

|  |   |
|--|---|
| EU REACH Regulation (EC) No. 1907/2006 | Current ECHA Candidate List: JAN 2025 (247)<br>Candidate List Declared Against: JAN 2023 (233)<br>Does not contain REACH SVHC |
|--|---|

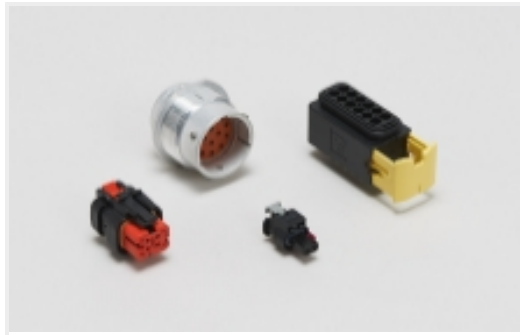
|                 |   |
|-----------------|---|
| Halogen Content | Low Halogen - Br, Cl, F, I < 900 ppm per homogenous material. Also BFR/CFR/PVC Free |
|-----------------|---|

|                           |  |
|---------------------------|--|
| Solder Process Capability | Not reviewed for solder process capability |
|---------------------------|--|

#### Product Compliance Disclaimer

This information is provided based on reasonable inquiry of our suppliers and represents our current actual knowledge based on the information they provided. This information is subject to change. The part numbers that TE has identified as EU RoHS compliant have a maximum concentration of 0.1% by weight in homogenous materials for lead, hexavalent chromium, mercury, PBB, PBDE, DBP, BBP, DEHP, DIBP, and 0.01% for cadmium, or qualify for an exemption to these limits as defined in the Annexes of Directive 2011/65/EU (RoHS2). Finished electrical and electronic equipment products will be CE marked as required by Directive 2011/65/EU. Components may not be CE marked. Additionally, the part numbers that TE has identified as EU ELV compliant have a maximum concentration of 0.1% by weight in homogenous materials for lead, hexavalent chromium, and mercury, and 0.01% for cadmium, or qualify for an exemption to these limits as defined in the Annexes of Directive 2000/53/EC (ELV). Regarding the REACH Regulation, the information TE provides on SVHC in articles for this part number is based on the latest European Chemicals Agency (ECHA) 'Guidance on requirements for substances in articles' posted at this URL: <https://echa.europa.eu/guidance-documents/guidance-on-reach>

## Also in the Series | DEUTSCH DT-XT

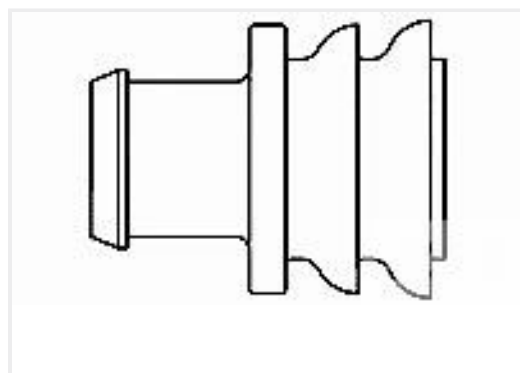


Automotive Housings(12)

## Customers Also Bought



TE Part #CAT-AM71-CH8172  
AMP SUPERSEAL 1.5MM,  
CONNECTOR HOUSING



TE Part #281934-2  
SINGLE WIRE SEAL



TE Part #114017-ZZ  
SEALING PLUG, SIZE 12/16, WHT



TE Part #CAT-D48-ST273  
DEUTSCH Solid Contacts



TE Part #DT04-2P  
REC, 2P, GRY, N



TE Part #DT06-2S  
PLG, 2P, GRY, N



TE Part #CAT-D487-W416  
Wedgelocks: DEUTSCH DT

## Documents

### Product Drawings

4CCT BLACK RECEP W/SMALL SEAL & HS

English

### CAD Files

3D PDF

3D

Customer View Model

ENG\_CVM\_CVM\_1-2600030-9\_1.2d\_dxf.zip

English

Customer View Model

ENG\_CVM\_CVM\_1-2600030-9\_1.3d\_igs.zip

English



### Customer View Model

[ENG\\_CVM\\_CVM\\_1-2600030-9\\_1.3d\\_stp.zip](#)

English

By downloading the CAD file I accept and agree to the [Terms and Conditions](#) of use.

### Product Specifications

[Application Specification](#)

English