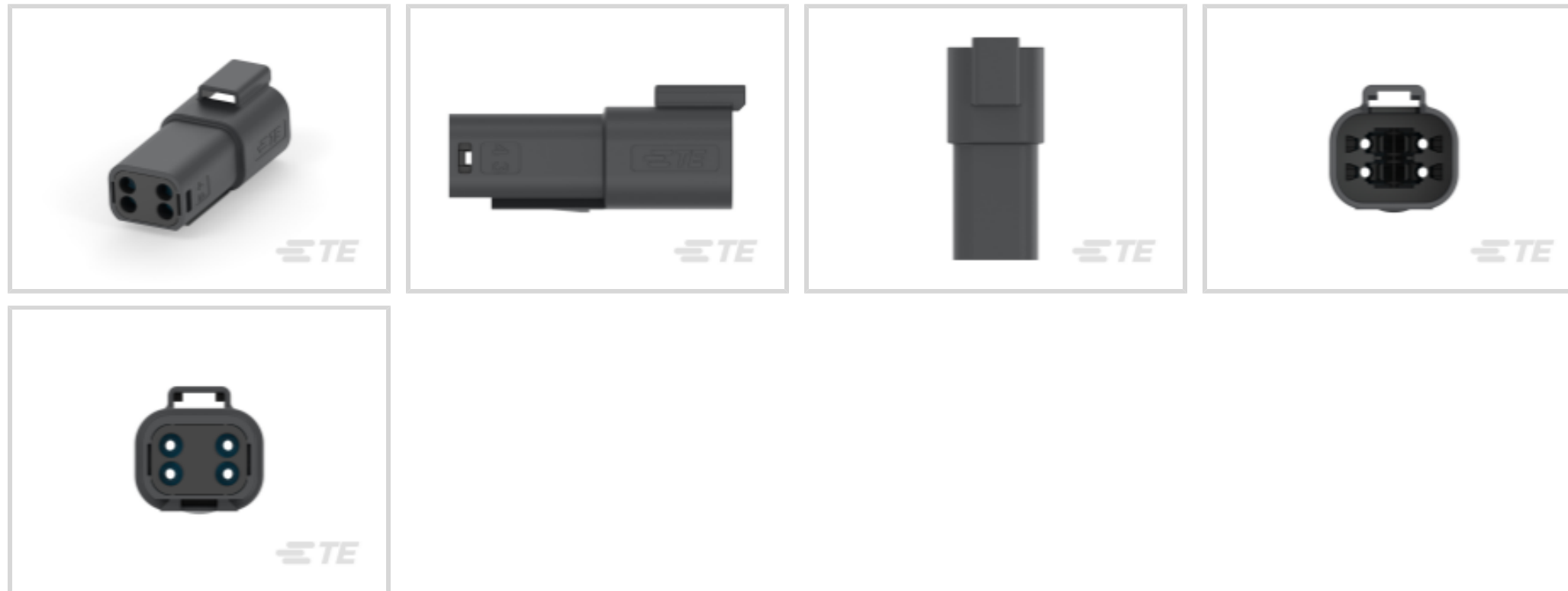




Connectors > Automotive Connectors > Automotive Housings > DT-XT 4-way Receptacle Connectors



Number of Positions: 4

Connector & Housing Type: Receptacle

Mating Pin Diameter: 1.56 mm [ .061 in ]

Connector System: Wire-to-Wire

Centerline (Pitch): 4.5 mm [ .177 in ]

[All DT-XT 4-way Receptacle Connectors \(0\)](#)

## Features

### Product Type Features

Mixed & Hybrid Connector	No
Connector Shape	Rectangular
Connector & Housing Type	Receptacle
Connector System	Wire-to-Wire
Sealable	Yes
Primary Locking Feature	Integrated in Housing
Connector & Contact Terminates To	Wire & Cable

### Configuration Features

Number of Positions	4
Number of Rows	2

### Body Features

Primary Product Color	Black
-----------------------	-------

### Contact Features

Contact Size	Size 16
Mating Pin Diameter	1.56 mm[.061 in]

### Mechanical Attachment

Mating Alignment Type	Polarization
Mating Alignment	With
Connector Mounting Type	Cable Mount (Free-Hanging)

### Housing Features

Centerline (Pitch)	4.5 mm[.177 in]
--------------------	-----------------

### Usage Conditions

Operating Temperature (Max)	125 °C[257 °F]
-----------------------------	----------------

### Other

Connector Position Assurance Capable	No
--------------------------------------	----

## Product Compliance

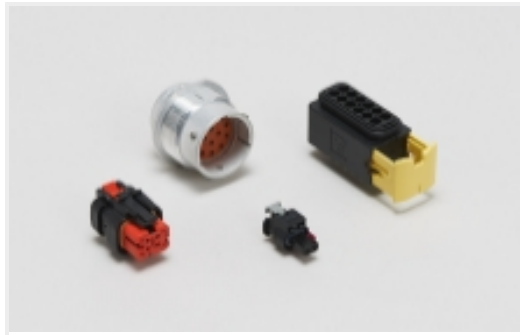
[For compliance documentation, visit the product page on TE.com>](#)

EU RoHS Directive 2011/65/EU	Compliant
EU ELV Directive 2000/53/EC	Compliant
China RoHS 2 Directive MIIT Order No 32, 2016	No Restricted Materials Above Threshold
EU REACH Regulation (EC) No. 1907/2006	Current ECHA Candidate List: JAN 2025 (247) Candidate List Declared Against: JAN 2023 (233) Does not contain REACH SVHC
Halogen Content	Low Halogen - Br, Cl, F, I < 900 ppm per homogenous material. Also BFR/CFR/PVC Free
Solder Process Capability	Not reviewed for solder process capability

#### Product Compliance Disclaimer

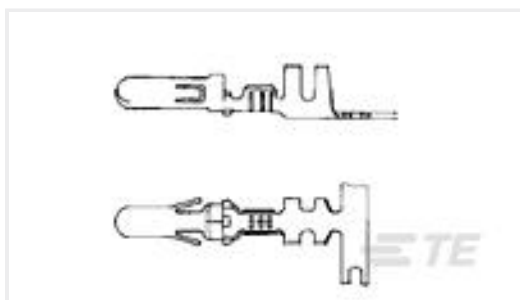
This information is provided based on reasonable inquiry of our suppliers and represents our current actual knowledge based on the information they provided. This information is subject to change. The part numbers that TE has identified as EU RoHS compliant have a maximum concentration of 0.1% by weight in homogenous materials for lead, hexavalent chromium, mercury, PBB, PBDE, DBP, BBP, DEHP, DIBP, and 0.01% for cadmium, or qualify for an exemption to these limits as defined in the Annexes of Directive 2011/65/EU (RoHS2). Finished electrical and electronic equipment products will be CE marked as required by Directive 2011/65/EU. Components may not be CE marked. Additionally, the part numbers that TE has identified as EU ELV compliant have a maximum concentration of 0.1% by weight in homogenous materials for lead, hexavalent chromium, and mercury, and 0.01% for cadmium, or qualify for an exemption to these limits as defined in the Annexes of Directive 2000/53/EC (ELV). Regarding the REACH Regulation, the information TE provides on SVHC in articles for this part number is based on the latest European Chemicals Agency (ECHA) 'Guidance on requirements for substances in articles' posted at this URL: <https://echa.europa.eu/guidance-documents/guidance-on-reach>

## Also in the Series | DEUTSCH DT-XT



Automotive Housings(12)

## Customers Also Bought



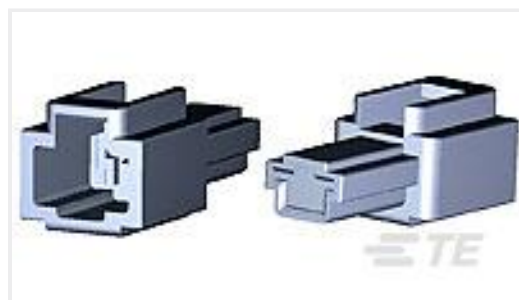
TE Part #926988-1  
MNL STIFT 3,5 MM



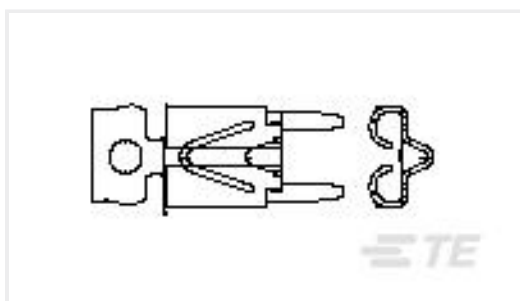
TE Part #111196-4  
020 RCPT SYSTEM 50 30 DPLX



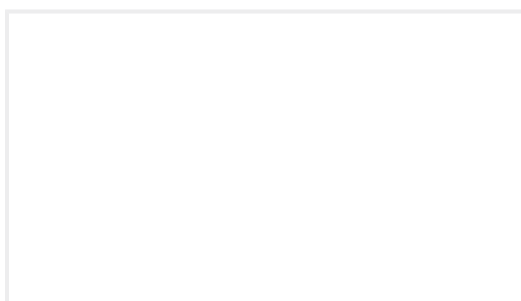
TE Part #2-1625892-8  
3W SM M/OX 5% 20K



TE Part #172127-1  
FF 250 PLUG HSG 1P NYLON NAT



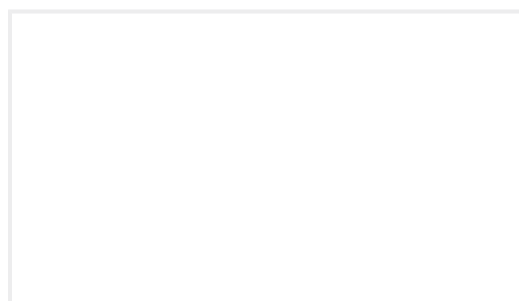
TE Part #1217137-1  
FASTON 250/205 REC PCB TPBR



TE Part #9D-BBK-T-001S-000  
0.15PSID, mV, DUAL HORIZONTAL,  
TAPE&REEL



TE Part #6-1462000-2  
C93432=MT Relay 550 mW 12 V



TE Part #4060-004-08141  
PIN, SOLID, SIZE 8, 10AWG, NI

## Documents

### Product Drawings

4CCT BLACK RECEP W/LARGE SEAL

English

### CAD Files

3D PDF

3D

Customer View Model

ENG\_CVM\_CVM\_1-2600030-0\_1.2d\_dxf.zip

English

Customer View Model

ENG\_CVM\_CVM\_1-2600030-0\_1.3d\_igs.zip

English



### Customer View Model

[ENG\\_CVM\\_CVM\\_1-2600030-0\\_1.3d\\_stp.zip](#)

English

By downloading the CAD file I accept and agree to the [Terms and Conditions](#) of use.

### Product Specifications

[Application Specification](#)

English