

934457511 x OBSOLETE

DEUTSCH | DEUTSCH DT-XT

TE Internal #: 2600047-6

TE Internal Description: 18CCT PLUG BLACK KEYING A W/SEAL & HS

DT-XT 18-way Plug Connectors

[View on TE.com >](#)



Automotive Parts > Automotive Connectors > Automotive Housings > DT-XT 18-way Plug Connectors



Nominal Voltage Architecture: 12 V

Connector & Housing Type: Plug

Number of Positions: 18

Sealable: Yes

Operating Temperature Range: -55 – 125 °C [-67 – 257 °F]

[All DT-XT 18-way Plug Connectors \(5\)](#)

Features

Product Type Features

Mixed & Hybrid Connector	No
Connector Shape	Rectangular
Connector & Housing Type	Plug
Sealable	Yes
Primary Locking Feature	Integrated in Housing
Connector System	Wire-to-Wire
Connector & Contact Terminates To	Wire & Cable

Configuration Features

Number of Positions	18
Number of Rows	3

Electrical Characteristics

Nominal Voltage Architecture	12 V
------------------------------	------

Body Features

Primary Product Color	Black
Connector & Keying Code	A

Contact Features

Contact Size	Size 16
Mating Pin Diameter	1.55 mm[.061 in]

Mechanical Attachment

Mating Alignment Type	Keyed
Mating Alignment	With
Connector Mounting Type	Cable Mount (Free-Hanging)

Housing Features

Centerline (Pitch)	4.66 mm[.183 in]
--------------------	------------------

Usage Conditions

Operating Temperature Range	-55 – 125 °C[-67 – 257 °F]
Operating Temperature (Max)	125 °C[257 °F]

Operation/Application

Circuit Application	Power
---------------------	-------

Other

Connector Position Assurance Capable	No
--------------------------------------	----

Product Compliance

[For compliance documentation, visit the product page on TE.com>](#)

EU RoHS Directive 2011/65/EU	Compliant
EU ELV Directive 2000/53/EC	Compliant
China RoHS 2 Directive MIIT Order No 32, 2016	有害物质含量符合标准要求 No Restricted Substance(s) Above Threshold
EU REACH Regulation (EC) No. 1907/2006	Current ECHA Candidate List: JUNE 2025 (250) Candidate List Declared Against: JUNE 2024 (241) Does not contain REACH SVHC
Halogen Content	BFR/CFR/PVC Free, but Br/Cl >900 ppm in other sources.
Solder Process Capability	Not reviewed for solder process capability

Product Compliance Disclaimer

This information is provided based on reasonable inquiry of our suppliers and represents our current actual knowledge based on the information they provided. This information is subject to change. The part numbers that TE has identified as EU RoHS compliant have a maximum concentration of 0.1% by weight in homogenous materials for lead, hexavalent chromium, mercury, PBB, PBDE, DBP, BBP, DEHP, DIBP, and 0.01% for cadmium, or qualify for an exemption to these limits as defined in the Annexes of Directive 2011/65/EU (RoHS2). Finished electrical and electronic equipment products will be CE marked as required by Directive 2011/65/EU. Components may not be CE marked. Additionally, the part numbers that TE has identified as EU ELV compliant have a maximum concentration of 0.1% by weight in homogenous materials for lead, hexavalent chromium, and mercury, and 0.01% for cadmium, or qualify for an exemption to these limits as defined in the Annexes of Directive 2000/53/EC (ELV). Regarding the REACH Regulation, the information TE provides on SVHC in articles for this part number is based on the latest European Chemicals Agency (ECHA) 'Guidance on requirements for substances in articles' posted at this URL: <https://echa.europa.eu/guidance-documents/guidance-on-reach>

Also in the Series | **DEUTSCH DT-XT**



Automotive Housings(12)

Customers Also Bought



TE Part #CAT-D485-CH8172
DEUTSCH DTM Housings



TE Part #1028-043-1205
BKSHL, 12P, BLK, PLG,ST, NW13/17



TE Part #2600046-1
18CCT RECEP BLACK KEYING A W /SEAL



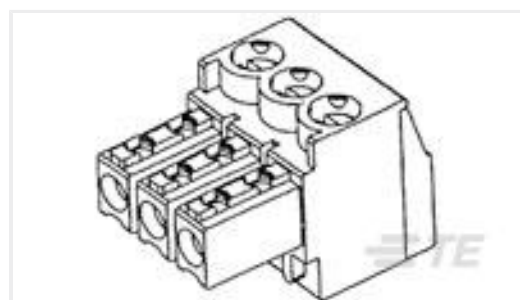
TE Part #K1144588
Battery Disconnecter 35-210-140-R



TE Part #DT04-12PA-P031
REC, 12P, GRY, BUSBAR 4X3, GOLD, A



TE Part #207486-1
SIZE 23-16 RECEPTACLE,CPC



TE Part #284507-5
5 POS TERMI-BLOK PLUG STAC 3,8



TE Part #776491-2
SOC, SF, SIZE 16, 14-18 AWG,NO INS, NI/SN



Documents

CAD Files

[3D PDF](#)

3D

Customer View Model

[ENG_CVM_CVM_2600047-6_1.2d_dxf.zip](#)

English

Customer View Model

[ENG_CVM_CVM_2600047-6_1.3d_igs.zip](#)

English

Customer View Model

[ENG_CVM_CVM_2600047-6_1.3d_stp.zip](#)

English

By downloading the CAD file I accept and agree to the [Terms and Conditions](#) of use.

Product Specifications

[Application Specification](#)

English