

845250017 ✓ ACTIVE



DEUTSCH

TE Internal #: 2-2600021-3

Socket Terminal, 14 – 18 AWG, 2.08 – .82 mm² Wire, Tin (Sn), 1.62 mm [.063 in] Pin Diameter, Terminates To Wire, 20.22 mm [.796 in]

Tab Length

[View on TE.com >](#)

Terminals & Splices > Automotive Terminals



Terminal Type: **Socket**

Wire Size: **14 – 18 AWG**

Interface Plating: **Tin (Sn)**

Primary Locking Feature: **Clean Body**

Features

Product Type Features

Primary Locking Feature	Clean Body
-------------------------	------------

Contact Features

Typical Current Rating	10 A
Crimp Type	F-Crimp
Contact Size	Size 16
Contact Fabrication	Stamped & Formed
Terminal Type	Socket
Interface Plating	Tin (Sn)
Mating Pin Diameter	1.62 mm [.063 in]

Termination Features

Termination Method to Wire & Cable	Crimp
------------------------------------	-------



Product Terminates To

Wire

Dimensions

Wire Size	14 – 18 AWG
Wire Size Search	.8 mm ² , 1 mm ² , 1.25 mm ² , 1.5 mm ² , 2 mm ²
Tab Length	20.22 mm [.796 in]

Usage Conditions

Insulation Option	Uninsulated
-------------------	-------------

Operation/Application

Compatible With Wire Base Material	Copper
------------------------------------	--------

Packaging Features

Packaging Method	Reel
Packaging Quantity	3000

Other

Terminal Transmits	0 – 24 A (Low Power)
--------------------	----------------------

Product Compliance

[For compliance documentation, visit the product page on TE.com>](#)

EU RoHS Directive 2011/65/EU	Compliant
EU ELV Directive 2000/53/EC	Compliant
China RoHS 2 Directive MIIT Order No 32, 2016	No Restricted Materials Above Threshold
EU REACH Regulation (EC) No. 1907/2006	Current ECHA Candidate List: JAN 2025 (247) Candidate List Declared Against: JAN 2025 (247) Does not contain REACH SVHC
Halogen Content	Low Halogen - Br, Cl, F, I < 900 ppm per homogenous material. Also BFR/CFR/PVC Free
Solder Process Capability	Not reviewed for solder process capability

Product Compliance Disclaimer

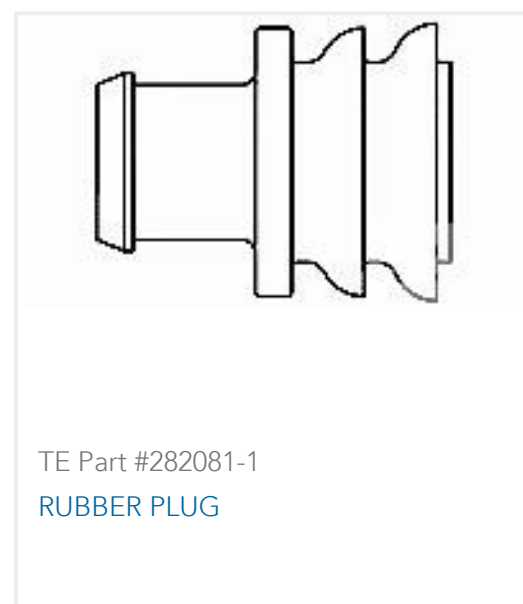
This information is provided based on reasonable inquiry of our suppliers and represents our current actual knowledge based on the information they provided. This information is subject to change. The part numbers that TE has identified as EU RoHS compliant have a maximum concentration of 0.1% by weight in homogenous materials for lead, hexavalent chromium, mercury, PBB, PBDE, DBP, BBP, DEHP, DIBP, and 0.01% for cadmium, or qualify for an exemption to these limits as defined in the Annexes of Directive 2011/65/EU (RoHS2). Finished electrical and electronic equipment products will be CE marked as required by Directive 2011/65/EU. Components may not be CE marked. Additionally, the part numbers that TE has identified as EU ELV compliant have a maximum concentration of 0.1% by weight in homogenous materials for lead, hexavalent chromium, and mercury, and 0.01% for cadmium, or qualify for an exemption to these limits

as defined in the Annexes of Directive 2000/53/EC (ELV). Regarding the REACH Regulation, the information TE provides on SVHC in articles for this part number is based on the latest European Chemicals Agency (ECHA) 'Guidance on requirements for substances in articles' posted at this URL: <https://echa.europa.eu/guidance-documents/guidance-on-reach>

Compatible Parts



Customers Also Bought



Documents

Product Drawings

XRC SOCKET 14-18 AWG Ni Plated

English



CAD Files

3D PDF

3D

Customer View Model

[ENG_CVM_CVM_2-2600021-3_1.2d_dxf.zip](#)

English

Customer View Model

[ENG_CVM_CVM_2-2600021-3_1.3d_igs.zip](#)

English

Customer View Model

[ENG_CVM_CVM_2-2600021-3_1.3d_stp.zip](#)

English

By downloading the CAD file I accept and agree to the [Terms and Conditions](#) of use.

Product Specifications

Application Specification

English