

DT06-2S-TN81 ✓ ACTIVE

DEUTSCH | DEUTSCH DT

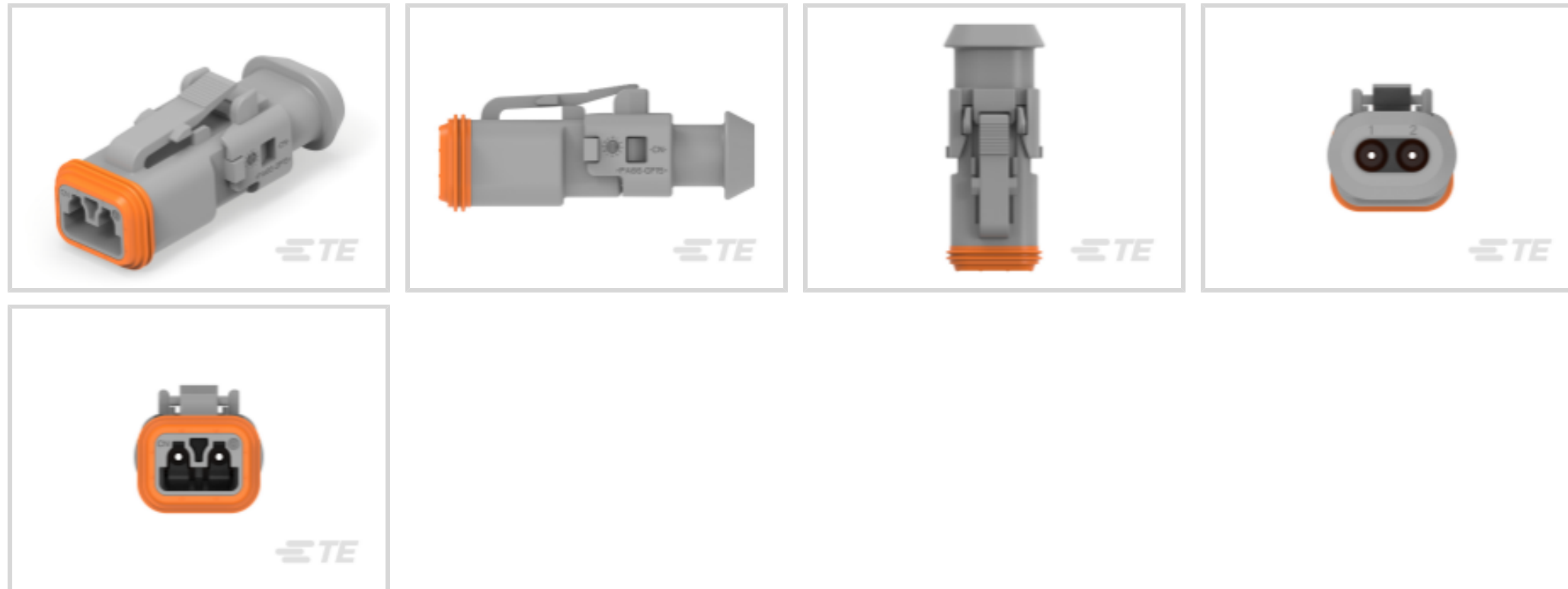
TE Internal #: 2-2303815-2

2 Position Housing, Housing for Female Terminals, Wire-to-Wire, 5.46 mm [.215 in] Centerline, Sealable, Gray, Wire & Cable, Power, DEUTSCH DT

[View on TE.com >](#)



Automotive Parts > Automotive Connectors > Automotive Housings > DEUTSCH DT Connectors with snap cap



Connector & Housing Type: **Housing for Female Terminals**

Number of Positions: **2**

Sealable: **Yes**

Operating Temperature Range: **-55 – 125 °C [-67 – 257 °F]**

Number of Rows: **1**

[All DEUTSCH DT Connectors with snap cap \(36\)](#)

Features

Product Type Features

Mixed & Hybrid Connector	No
Connector Shape	Rectangular
Connector & Housing Type	Housing for Female Terminals
Sealable	Yes
Primary Locking Feature	Integrated in Housing
Connector System	Wire-to-Wire
Connector & Contact Terminates To	Wire & Cable

Configuration Features

Blank Cavity Position	0
Number of Positions	2
Number of Rows	1

Electrical Characteristics



Operating Voltage	250 VDC
Nominal Voltage Architecture	12 V, 24 V, 48 V

Body Features

Cable Exit Angle	180°
Primary Product Color	Gray

Contact Features

Contact Size	Size 16
Contact Type	Socket
Mating Pin Diameter	1.55 mm[.061 in]
Contact Current Rating (Max)	13 A

Mechanical Attachment

Strain Relief	Add By Accessory
Terminal Position Assurance	No
Mating Alignment Type	Polarization
Mating Alignment	With
Connector Mounting Type	Cable Mount (Free-Hanging)

Housing Features

Housing Material	PA GF
Centerline (Pitch)	5.46 mm[.215 in]

Dimensions

Compatible Insulation Diameter Range	2.23 – 3.68 mm[.088 – .145 in]
Product Width	17.34 mm[.683 in]
Product Length	42.2 mm[1.661 in]
Connector Height	15.77 mm[.621 in]

Usage Conditions

Operating Temperature Range	-55 – 125 °C[-67 – 257 °F]
Operating Temperature (Max)	125 °C[257 °F]

Operation/Application

Circuit Application	Power
---------------------	-------

Industry Standards

IP Rating	IP68, IP6K9K
Compatible With Agency/Standards Products	SAE J2030



UL Flammability Rating	12mm Flame Test per Standard UL-94
------------------------	------------------------------------

Packaging Features

Packaging Quantity	1600
--------------------	------

Packaging Method	Box
------------------	-----

Other

Serviceable	Yes
-------------	-----

Connector Position Assurance Capable	No
--------------------------------------	----

Product Compliance

[For compliance documentation, visit the product page on TE.com>](#)

EU RoHS Directive 2011/65/EU	Compliant
------------------------------	-----------

EU ELV Directive 2000/53/EC	Compliant
-----------------------------	-----------

China RoHS 2 Directive MIIT Order No 32, 2016	No Restricted Materials Above Threshold
---	---

EU REACH Regulation (EC) No. 1907/2006	Current ECHA Candidate List: JAN 2025 (247) Candidate List Declared Against: JAN 2025 (247) Does not contain REACH SVHC
--	---

Halogen Content	Not Low Halogen - contains Br or Cl > 900 ppm.
-----------------	--

Solder Process Capability	Not reviewed for solder process capability
---------------------------	--

Product Compliance Disclaimer

This information is provided based on reasonable inquiry of our suppliers and represents our current actual knowledge based on the information they provided. This information is subject to change. The part numbers that TE has identified as EU RoHS compliant have a maximum concentration of 0.1% by weight in homogenous materials for lead, hexavalent chromium, mercury, PBB, PBDE, DBP, BBP, DEHP, DIBP, and 0.01% for cadmium, or qualify for an exemption to these limits as defined in the Annexes of Directive 2011/65/EU (RoHS2). Finished electrical and electronic equipment products will be CE marked as required by Directive 2011/65/EU. Components may not be CE marked. Additionally, the part numbers that TE has identified as EU ELV compliant have a maximum concentration of 0.1% by weight in homogenous materials for lead, hexavalent chromium, and mercury, and 0.01% for cadmium, or qualify for an exemption to these limits as defined in the Annexes of Directive 2000/53/EC (ELV). Regarding the REACH Regulation, the information TE provides on SVHC in articles for this part number is based on the latest European Chemicals Agency (ECHA) 'Guidance on requirements for substances in articles' posted at this URL: <https://echa.europa.eu/guidance-documents/guidance-on-reach>

Compatible Parts




TE Part # 776363-1
SEALING PLUG, SZ 16 CAVITY



TE Part # CAT-D48-SP729
DEUTSCH Sealing Plugs



TE Part # 2-2303812-2
DT04-2P-TN81, REC, 2P, GRY, N,
SNAPXCAP




TE Part # CAT-D48-SFT273
DEUTSCH Stamped and Formed
Contacts



TE Part # 1011-344-0205
DUST CAP, 2P, PLG, BLK, DT



TE Part # DT-RT1
EXT TOOL, FRONT RELEASE



TE Part # CAT-D48-ST273
DEUTSCH Solid Contacts



TE Part # CAT-D487-W416
WedgeLocks: DEUTSCH DT



TE Part # CAT-D487-H342
DEUTSCH DT Headers



TE Part # DT04-2P-E008
REC, 2P, GRY, N, XCAP

TE Part # 1062-14-0177
SOC, SF, SIZE 16, 14-18, SN/SN




TE Part # 1062-16-1422
SOC, SF, SIZE 16, 12-16, SLVLES, NI/NI

Also in the Series | **DEUTSCH DT**




Automotive Connector Locks &
Position Assurance(91)




Automotive Housings(770)




Automotive Seals & Cavity Plugs(18)



Connector Strain Relief(38)



Infotainment & Multimedia Cable
Assemblies(1)



Other Automotive Connector
Accessories(27)



Rectangular Backshells & Clamps(3)

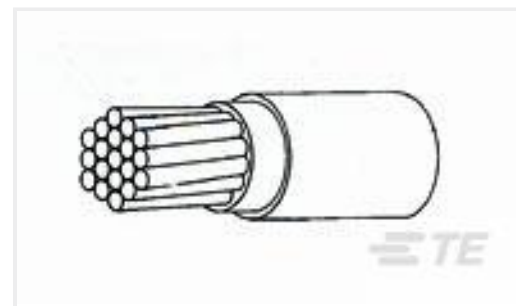
Customers Also Bought



TE Part #5510040002
PD-CAP-1/4-0



TE Part #DRC26-40SB
PLG, 40P, BLK, B



TE Part #2820363008
44A0111-22-6



TE Part #T4161120005-005
RPC-M12-MS-5CON-PUR-5.0SH



TE Part #2-66740-1
TYPE XII FEMALE CONT (LP)



TE Part #104482-5
12 SHORT PT RCPT HSG DR .100CL



TE Part #206612-1
CPC PLUG ASSEMBLY SIZE 23-22



TE Part #342145-1
16-14 F.E.P.G. RING TONGUE NO.



TE Part #1-1414147-0
V23134J0052X429-EV-CBOX



TE Part #2-1879665-3
H8 21K 0.1% 15PPM

Documents

Product Drawings

[DT06-2S-TN81, PLG, 2P, GRY, N, SNAPXCAP](#)

English

CAD Files

[3D PDF](#)

3D

Customer View Model

[ENG_CVM_CVM_2-2303815-2_A.2d_dxf.zip](#)

English

Customer View Model

[ENG_CVM_CVM_2-2303815-2_A.3d_igs.zip](#)

English

Customer View Model

[ENG_CVM_CVM_2-2303815-2_A.3d_stp.zip](#)

English

By downloading the CAD file I accept and agree to the [Terms and Conditions](#) of use.

Product Specifications



Application Specification

English

Agency Approvals

UL Report

English