

180-DTP04 ✓ ACTIVE

DEUTSCH | DEUTSCH DT, DEUTSCH DTP

TE Internal #: 180-DTP04

4 Position, Black, Backshell, PA 66 GF15, 180 ° Cable Exit, -55 – 125

°C [-67 – 257 °F], DEUTSCH DTP

[View on TE.com >](#)



Automotive Parts > Automotive Connector Accessories > Automotive Connector Caps & Covers



Number of Positions: 4

Primary Product Color: **Black**

Protection & Strain Relief Accessory Type: **Backshell**

Primary Product Material: **PA 66 GF15**

Cable Exit Angle: **180 °**

Features

Product Type Features

Protection & Strain Relief Accessory Type	Backshell
---	-----------

Configuration Features

Number of Positions	4
---------------------	---

Body Features

Primary Product Color	Black
Primary Product Material	PA 66 GF15
Cable Exit Angle	180 °

Mechanical Attachment

Strain Relief	Without
---------------	---------

Usage Conditions

Operating Temperature (Max)	125 °C[257 °F]
Operating Temperature Range	-55 – 125 °C[-67 – 257 °F]

Packaging Features

Packaging Method	Package
------------------	---------

Product Compliance

For compliance documentation, visit the product page on [TE.com](https://www.te.com)>

EU RoHS Directive 2011/65/EU	Compliant
EU ELV Directive 2000/53/EC	Compliant
China RoHS 2 Directive MIIT Order No 32, 2016	有害物质含量符合标准要求 No Restricted Substance(s) Above Threshold
EU REACH Regulation (EC) No. 1907/2006	Current ECHA Candidate List: JUNE 2025 (250) Candidate List Declared Against: JUNE 2025 (250) Does not contain REACH SVHC
Halogen Content	Not Low Halogen - contains Br or Cl > 900 ppm.
Solder Process Capability	Not reviewed for solder process capability

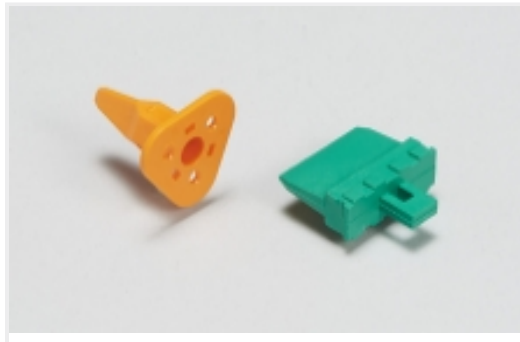
Product Compliance Disclaimer

This information is provided based on reasonable inquiry of our suppliers and represents our current actual knowledge based on the information they provided. This information is subject to change. The part numbers that TE has identified as EU RoHS compliant have a maximum concentration of 0.1% by weight in homogenous materials for lead, hexavalent chromium, mercury, PBB, PBDE, DBP, BBP, DEHP, DIBP, and 0.01% for cadmium, or qualify for an exemption to these limits as defined in the Annexes of Directive 2011/65/EU (RoHS2). Finished electrical and electronic equipment products will be CE marked as required by Directive 2011/65/EU. Components may not be CE marked. Additionally, the part numbers that TE has identified as EU ELV compliant have a maximum concentration of 0.1% by weight in homogenous materials for lead, hexavalent chromium, and mercury, and 0.01% for cadmium, or qualify for an exemption to these limits as defined in the Annexes of Directive 2000/53/EC (ELV). Regarding the REACH Regulation, the information TE provides on SVHC in articles for this part number is based on the latest European Chemicals Agency (ECHA) 'Guidance on requirements for substances in articles' posted at this URL: <https://echa.europa.eu/guidance-documents/guidance-on-reach>

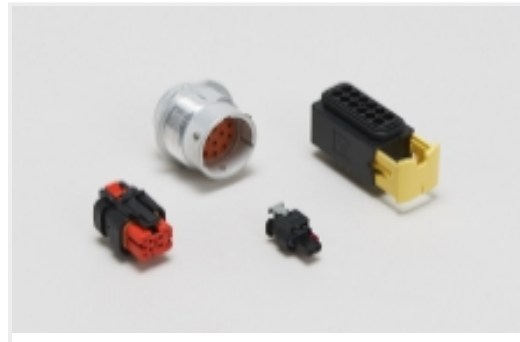
Compatible Parts



Also in the Series | **DEUTSCH DT**



Automotive Connector Locks & Position Assurance(4)



Automotive Housings(35)



Automotive Seals & Cavity Plugs(2)

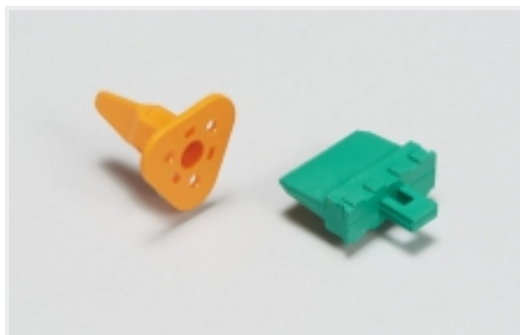


Infotainment & Multimedia Cable Assemblies(1)

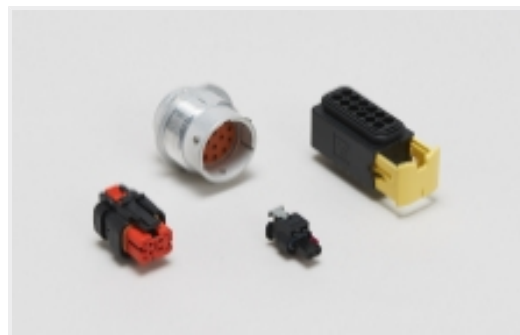


Other Automotive Connector Accessories(4)

Also in the Series | DEUTSCH DTP



Automotive Connector Locks & Position Assurance(4)



Automotive Housings(35)



Automotive Seals & Cavity Plugs(2)



Other Automotive Connector Accessories(4)

Customers Also Bought



TE Part #DT04-12PA-BL10
REC, 12P, BLK, E, ENH KEY, XCAP,
FLANGE,A



TE Part #DT06-6S-E005
PLG, 6P, BLK, N, CAP



TE Part #YHDP26-24-21SEL024
PLG, 21P, BLK, E, WTHD, 12/16, S



TE Part #HD36-24-29SE
PLG, 29P, AL, E, 12/16/20, S



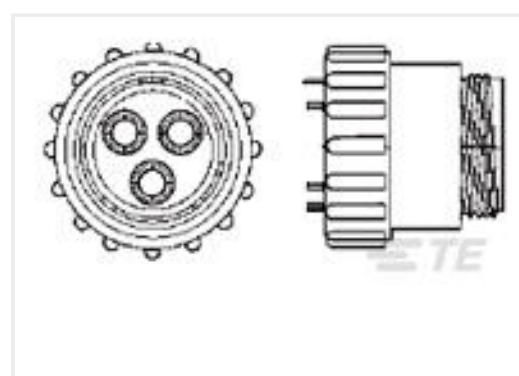
TE Part #803485-SF
FN2200-250-99



TE Part #CAT-D486-CH8172
DEUTSCH DTP Housings



TE Part #1011-265-0405
BKSHL, 4P, BLK, REC,ST,SR,NW6/7.5/8.
5/10



TE Part #213905-1
CPC PLUG ASSY,SERIES 5,SZ 17-3



Documents

Product Drawings

[BKSHL, 4P, BLK, PLG, ST, SIDE AB, NW 16](#)

English

CAD Files

[3D PDF](#)

3D

Customer View Model

[ENG_CVM_CVM_180-DTP04_AA.2d_dxf.zip](#)

English

Customer View Model

[ENG_CVM_CVM_180-DTP04_AA.3d_igs.zip](#)

English

Customer View Model

[ENG_CVM_CVM_180-DTP04_AA.3d_stp.zip](#)

English

By downloading the CAD file I accept and agree to the [Terms and Conditions](#) of use.

Product Specifications

[Engineering Report](#)

English