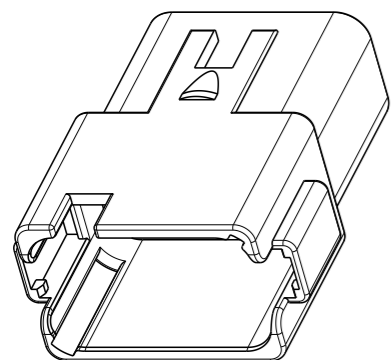
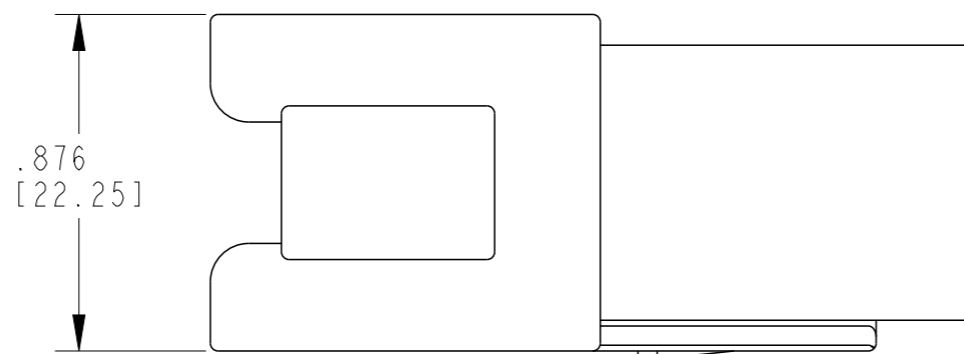


THIS DRAWING IS UNPUBLISHED. RELEASED FOR PUBLICATION 2015. © COPYRIGHT 2000 BY TE CONNECTIVITY ALL RIGHTS RESERVED.

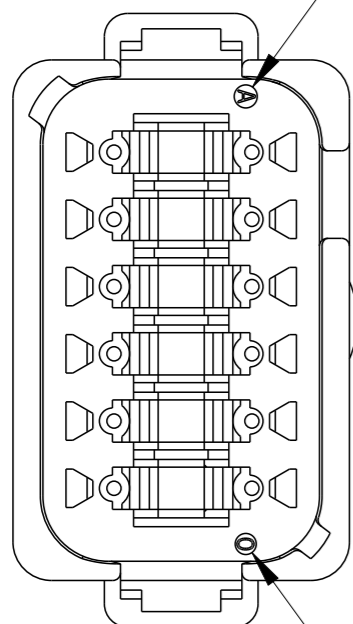
LOC		DIST		REVISIONS			
P	LTR	DESCRIPTION	DATE	DWN	APVD		
	NC	NEW RELEASE PER E.O. P16570	07MAR2000	ST	DM		
	A	REVISED PER E.O. P16863	15SEP2000	TY	RDR		
	A1	REVISED PER ECO-15-016593	05NOV2015	JA	DM		
	B	REVISED PER PCN E-19-014633	13FEB2019	AK	NS		



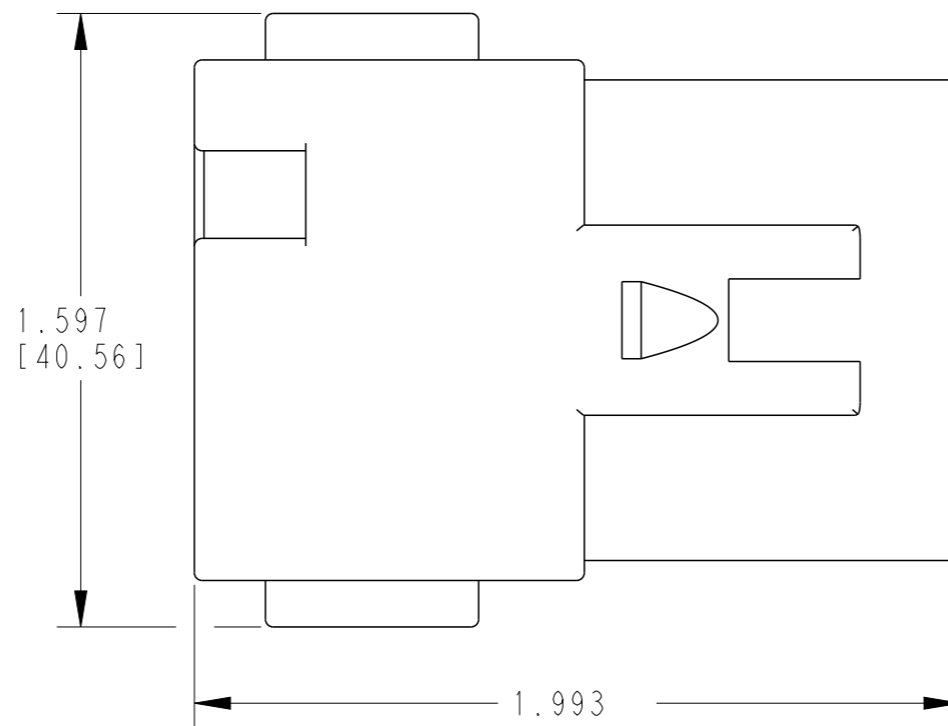
SCALE 1:1



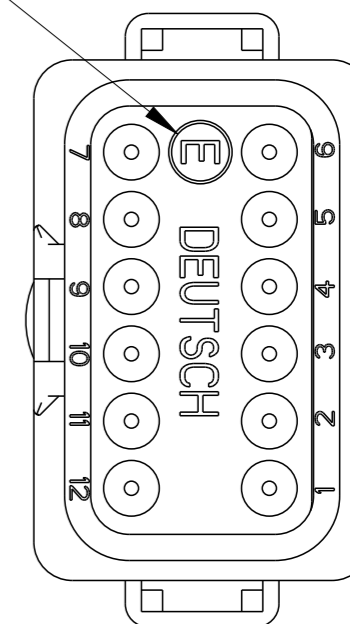
EX. OF MONTH JANUARY



EX. OF YEAR 2020



-E- DESIGNATES REDUCED DIAMETER WIRE SEAL



RECEPTACLE HOUSING

TE INTERNAL PN	DEUTSCH PN
DT04-12PC-CE08	DT04-12PC-CE08

CONTACT SIZE	MIN. INSUL O.D.	MAX. INSUL O.D.	WIRE RANGE
16	.053 [1.34]	.120 [3.04]	14-20 AWG [2.0-0.5 mm ²]

3 DATE LEGEND: YEARS TO BE REPRESENTED BY LAST NUMERICAL DIGIT. MONTH USES SEQUENTIAL ALPHA CHARACTERS, EX: A = JANUARY ...

2 MATERIAL: HOUSING: PA66 GF15 (GREEN); GROMMET: VMQ (BURNT RED)

1. THIS RECEPTACLE MATES WITH DT06-12SC-XXXX PLUG. (XXXX = ALL MODIFICATIONS). CONSULT FACTORY FOR MODIFICATIONS.

NOTES: UNLESS OTHERWISE SPECIFIED

THIS DRAWING IS A CONTROLLED DOCUMENT.		DWN S. THEIS 01MAR2000												
DIMENSIONS: INCHES [mm]		CHK PAUL BURKE 15SEP2000												
TOLERANCES UNLESS OTHERWISE SPECIFIED:		APVD STEVE BEARD 15NOV2000												
<table border="1"> <tr><td>0 PLC</td><td>±</td></tr> <tr><td>1 PLC</td><td>±</td></tr> <tr><td>2 PLC</td><td>±</td></tr> <tr><td>3 PLC</td><td>±.025 [0.64]</td></tr> <tr><td>4 PLC</td><td>±</td></tr> <tr><td>ANGLES</td><td>±1/2°</td></tr> </table>		0 PLC			±	1 PLC	±	2 PLC	±	3 PLC	±.025 [0.64]	4 PLC	±	ANGLES
0 PLC	±													
1 PLC	±													
2 PLC	±													
3 PLC	±.025 [0.64]													
4 PLC	±													
ANGLES	±1/2°													
MATERIAL	FINISH N/A	APPLICATION SPEC 114-151009	NAME RECEPTACLE 12 WAY -CE08 MOD, -C- KEY DT SERIES											
		WEIGHT 18.0g	SIZE A3											
		CUSTOMER DRAWING	CAGE CODE 4AFU8											
			DRAWING NO. DT04-12PC-CE08											
			RESTRICTED TO -											
			SCALE 2:1											
			SHEET 1 OF 1											
			REV B											