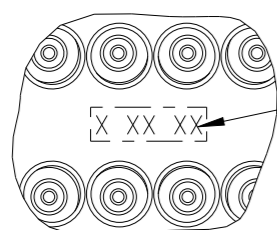
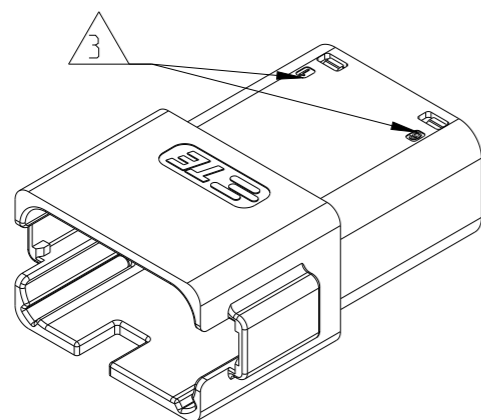


REVISIONS

P	LTR	DESCRIPTION	DATE	DWN	APVD
	A	INITIAL RELEASE	20JUN2020	J.S	I.Y
	A1	ECR-20-010349	26JUL2020	J.G	I.Y
	A2	ECN-21-113425	17AUG2021	J.G	Z.Z

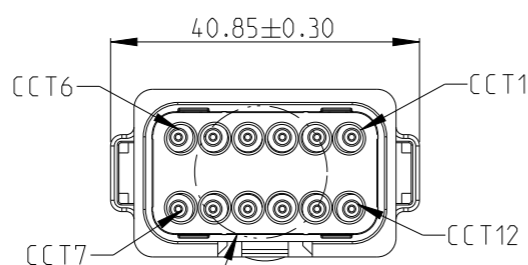
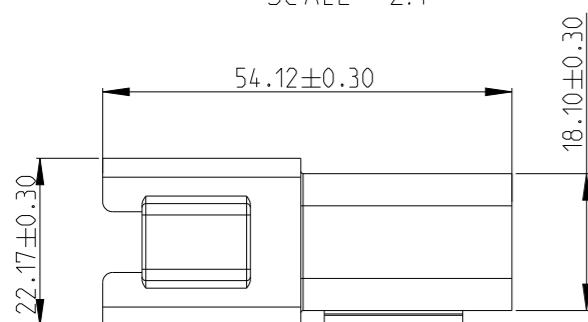
12CCT RECEPTACLE CONNECTOR



DATE CODE: X XX XX
 X- DAY: 1- 7
 XX- WEEK: 01 - 52
 XX- YEAR: 00 - 99
 # MACHINE NO. 1

EXAMPLE: 11315 = DAY 1, WEEK 13, YEAR 15
 i.e. 23rd OF MARCH 2015

DETAIL A
 SCALE 2:1



A

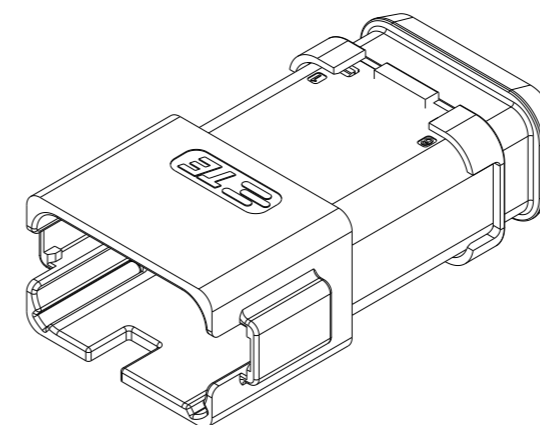
1. THIS RECEP MATES WITH PLUG ASSEMBLY PN X-2600043-X, WEDGE LOCK PN W12P.

2. MATERIAL
 HOUSING: NYLON GF30
 BACK SEAL: SILICONE RUBBER
 BACK COVER: NYLON GF30, BLACK
 HEATSHRINK HOUSING: NYLON GF30, BLACK

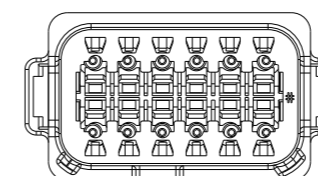
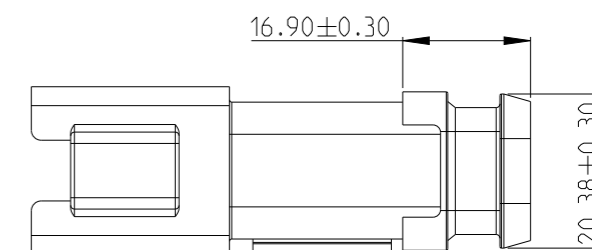
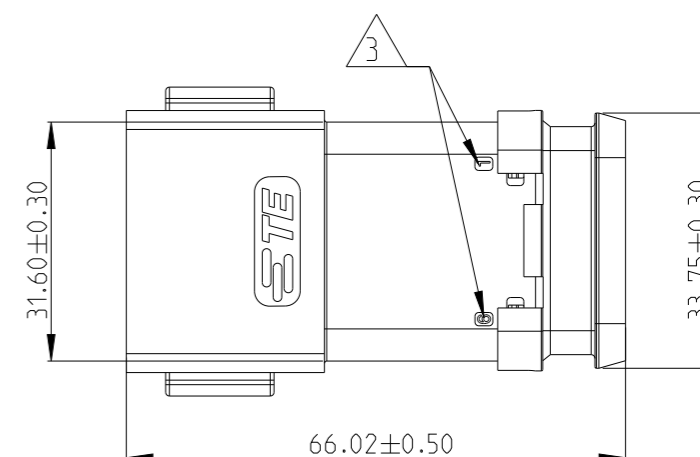
CIRCUIT IDENTIFICATION

4. JACKET RANGE LARGE = \varnothing 2.23mm TO 3.68mm (SEAL COLOUR: LIGHT BLUE)
 JACKET RANGE SMALL = \varnothing 1.20mm TO 3.05mm (SEAL COLOUR: BURNT ORANGE)

5. SEE SHEET 3 FOR FINAL PART NUMBER DESIGNATION

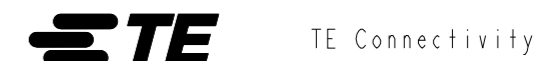


12CCT RECEPTACLE CONNECTOR WITH HEATSHRINK HOUSING ULTRASONICALLY WELDED IN PLACE



THIS DRAWING IS A CONTROLLED DOCUMENT.

DWN J.Shang 20JUN2020
 CHK E.Jiang 20JUN2020
 APVD L.Yin 20JUN2020



NAME 12CCT DT-XT RECEPTACLE CONNECTOR

DIMENSIONS:	TOLERANCES UNLESS OTHERWISE SPECIFIED:
mm	
	0 PLC ±
	1 PLC ±
	2 PLC ±
	3 PLC ±
	4 PLC ±
	ANGLES ±
MATERIAL	FINISH
-	-
-	-

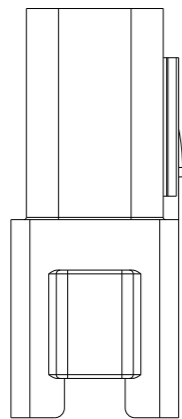
PRODUCT SPEC 108-160026
 APPLICATION SPEC 114-160017
 WEIGHT -
 CUSTOMER DRAWING

SIZE	CAGE CODE	DRAWING NO	RESTRICTED TO
A3	00779	C-2600042	-
SCALE 1:1		SHEET 1 OF 3	REV A2

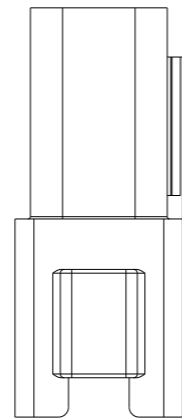
REVISIONS

P	LTR	DESCRIPTION	DATE	DWN	APVD
		SEE SHEET 1			

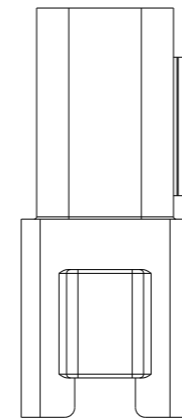
KEYING OPTION A



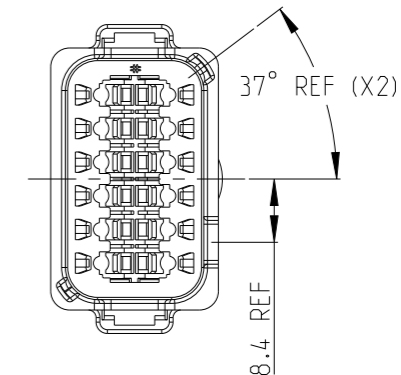
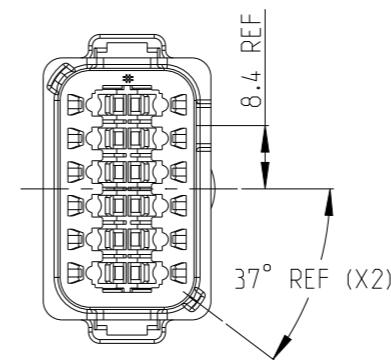
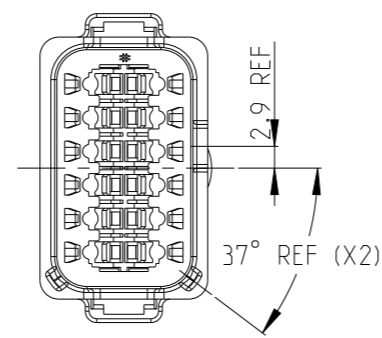
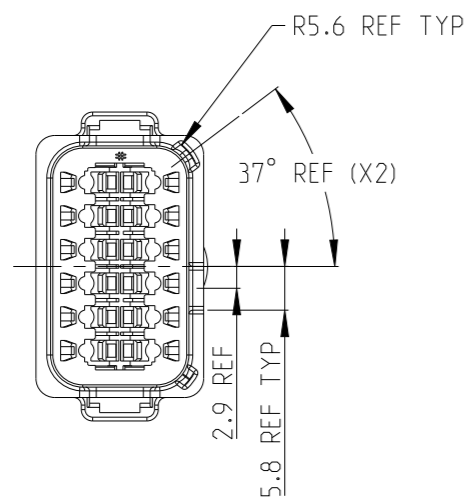
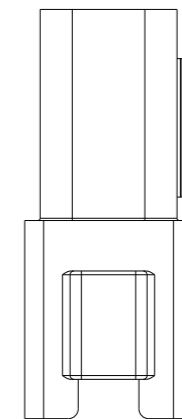
KEYING OPTION B



KEYING OPTION C



KEYING OPTION D



THIS DRAWING IS A CONTROLLED DOCUMENT.

DWN J.Shang 20JUN2020

CHK E.Jiang 20JUN2020

APVD L.Yin 20JUN2020

PRODUCT SPEC 108-160026

APPLICATION SPEC 114-160017

WEIGHT -

CUSTOMER DRAWING



TE Connectivity

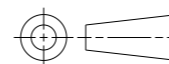
NAME 12CCT DT-XT RECEPTACLE CONNECTOR

SIZE	CAGE CODE	DRAWING NO	RESTRICTED TO
------	-----------	------------	---------------

A3	00779	C=2600042	-
----	-------	-----------	---

SCALE 1:1	SHEET 2 OF 3	REV A2
-----------	--------------	--------

DIMENSIONS: mm



TOLERANCES UNLESS OTHERWISE SPECIFIED:

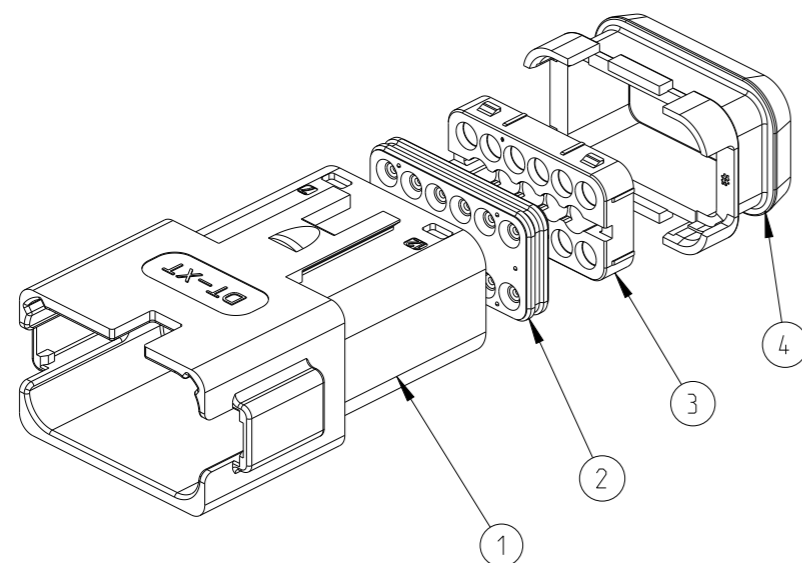
- 0 PLC ±
- 1 PLC ±
- 2 PLC ±
- 3 PLC ±
- 4 PLC ±
- ANGLES ±

MATERIAL -

FINISH -

REVISIONS

P	LTR	DESCRIPTION	DATE	DWN	APVD
		SEE SHEET 1			



TE PN	ALIAS PN	REVISION OF EACH ASSY NO.	WEIGHT OF EACH ASSY(g)	KEYING	A	A	B	C	D	-	-	-	-	
2- -0	934446647	-	21.48		-	-	-	-	1	-	1	1	1	
1- -9	934446633	-	21.48		-	-	-	1	-	-	1	1	1	
1- -8	934446621	-	21.48		-	-	1	-	-	-	1	1	1	
1- -7	934446611	-	21.48		-	1	-	-	-	-	1	1	1	
1- -6	934446612	-	21.48		1	-	-	-	-	-	1	1	1	
1- -5	934446547	-	21.48		-	-	-	-	1	1	-	1	1	
1- -4	934446533	-	21.48		-	-	-	1	-	1	-	1	1	
1- -3	934446521	-	21.48		-	-	1	-	-	1	-	1	1	
1- -2	934446511	-	21.48		-	1	-	-	-	1	-	1	1	
1- -1	934446512	-	21.48		1	-	-	-	-	1	-	1	1	
1- -0	934446247	-	18.53		-	-	-	-	1	-	1	1	-	
-9	934446233	-	18.53		-	-	-	1	-	-	1	1	-	
-8	934446221	-	18.53		-	-	1	-	-	-	1	1	-	
-7	934446211	-	18.53		-	1	-	-	-	-	1	1	-	
-6	934446212	-	18.53		1	-	-	-	-	-	1	1	-	
-5	934446147	-	18.53		-	-	-	-	1	1	-	1	-	
-4	934446133	-	18.53		-	-	-	1	-	1	-	1	-	
-3	934446121	-	18.53		-	-	1	-	-	1	-	1	-	
-2	934446111	-	18.53		-	1	-	-	-	1	-	1	-	
-1	934446112	-	18.53		1	-	-	-	-	1	-	1	-	
				KEYING	A	A	B	C	D	-	-	-	-	
				COLOR	GERY	BLACK	BLACK	GREEN	BROWN	BURNT ORANGE	LIGHT BLUE	BLACK	BLACK	
				MATERIAL	NYLON GF30	NYLON GF30	NYLON GF30	NYLON GF30	NYLON GF30	SILICONE RUBBER	SILICONE RUBBER	NYLON GF30	NYLON GF30	
				DESCRIPT ION	RECEPTACLE HOUSING						BACK SEAL SMALL	BACK SEAL LARGE	BACK COVER	HEATSHRINK HOUSING
				ITEM NO	1						2	3	4	

THIS DRAWING IS A CONTROLLED DOCUMENT.

DWN J.Shang 20JUN2020
 CHK E.Jiang 20JUN2020
 APVD L.Yin 20JUN2020

PRODUCT SPEC 108-160026
 APPLICATION SPEC 114-160017
 WEIGHT -

TE TE Connectivity

NAME 12CCT DT-XT RECEPTACLE CONNECTOR

SIZE A3 CAGE CODE 00779 DRAWING NO C=2600042 RESTRICTED TO -

CUSTOMER DRAWING SCALE 1:1 SHEET 3 OF 3 REV A2

DIMENSIONS:	TOLERANCES UNLESS OTHERWISE SPECIFIED:
mm	
	0 PLC ±
	1 PLC ±
	2 PLC ±
	3 PLC ±
	4 PLC ±
	ANGLES ±
MATERIAL	FINISH
-	-
-	-