

Customer Information Sheet

DRAWING No.: M80-001

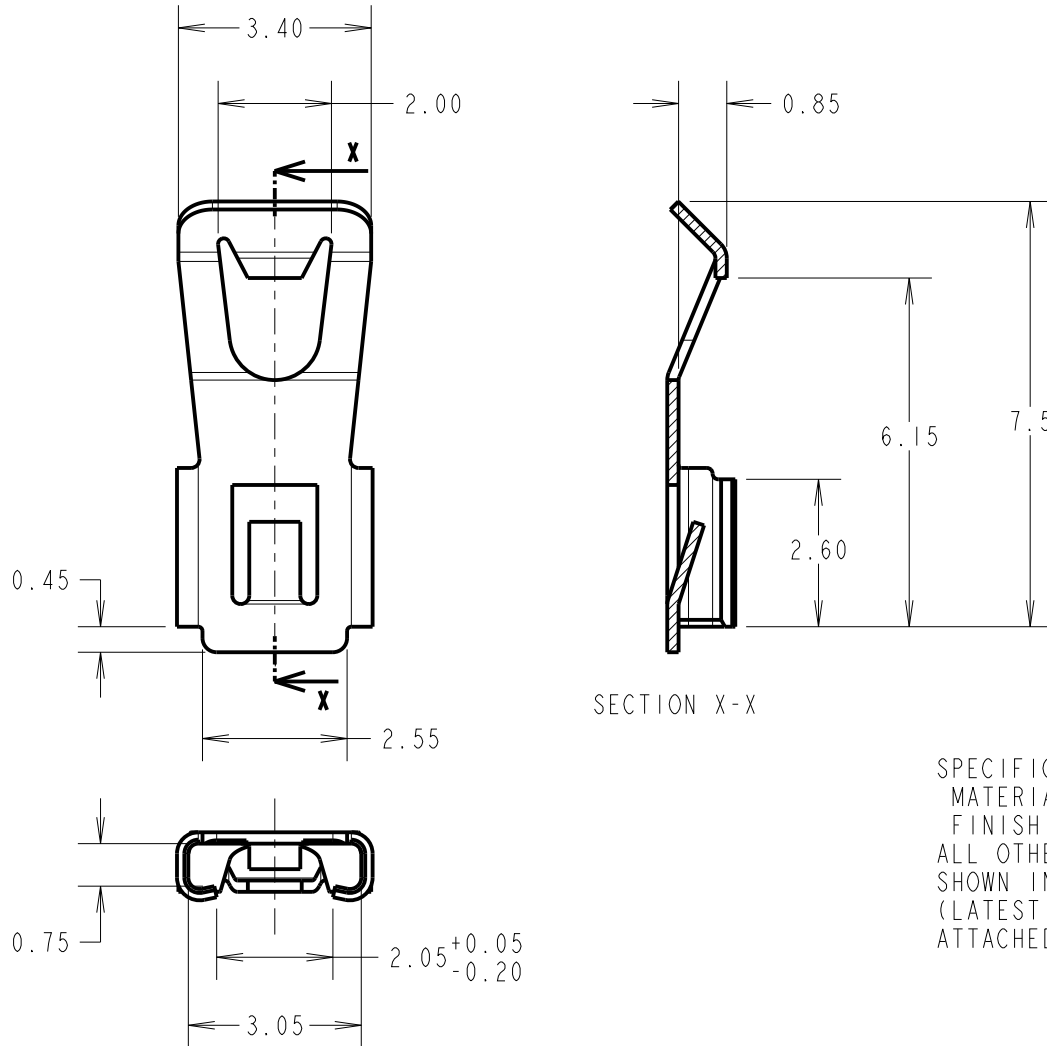
IF IN DOUBT - ASK

©

NOT TO SCALE

THIRD ANGLE PROJECTION

ALL DIMENSIONS IN mm



NOTES:
1. SUITABLE FOR USE WITH ANY MALE CONNECTOR IN THE DATAMATE L-TEK SERIES.

SPECIFICATIONS:
MATERIAL = BERYLLIUM COPPER
FINISH = 1.25µm/2.0µm NICKEL
ALL OTHER APPLICABLE SPECIFICATIONS ARE SHOWN IN COMPONENT SPECIFICATION C005XX (LATEST ISSUE), AND APPLY WHEN LATCH IS ATTACHED TO CONNECTOR.

MGP	20	02.03.22	31135
NAME	ISS.	DATE	CN/CO
APPROVED: MGP			
CHECKED: MR			
DRAWN: M. A. TODD			
CUSTOMER REF.:			
ASSEMBLY DRG:			

HARWIN

www.harwin.com
technical@harwin.com

THIS DRAWING AND ANY INFORMATION OR DESCRIPTIVE MATTER SET OUT HEREON ARE CONFIDENTIAL AND COPYRIGHT PROPERTY OF THE HARWIN GROUP AND MUST NOT BE DISCLOSED, LOANED, COPIED OR USED FOR MANUFACTURING, TENDERING OR FOR ANY OTHER PURPOSE WITHOUT THEIR WRITTEN PERMISSION.

TOLERANCES
X. = ±1mm
X.X = ±0.50mm
X.XX = ±0.20mm
X.XXX = ±0.01mm
ANGLES = ±5°
UNLESS STATED

MATERIAL:
SEE ABOVE
FINISH: SEE ABOVE
S/AREA: mm²

TITLE:
DATAMATE LOCKING LATCH
DRAWING NUMBER:
M80-001
SHT 2 OF 2