

# Customer Information Sheet

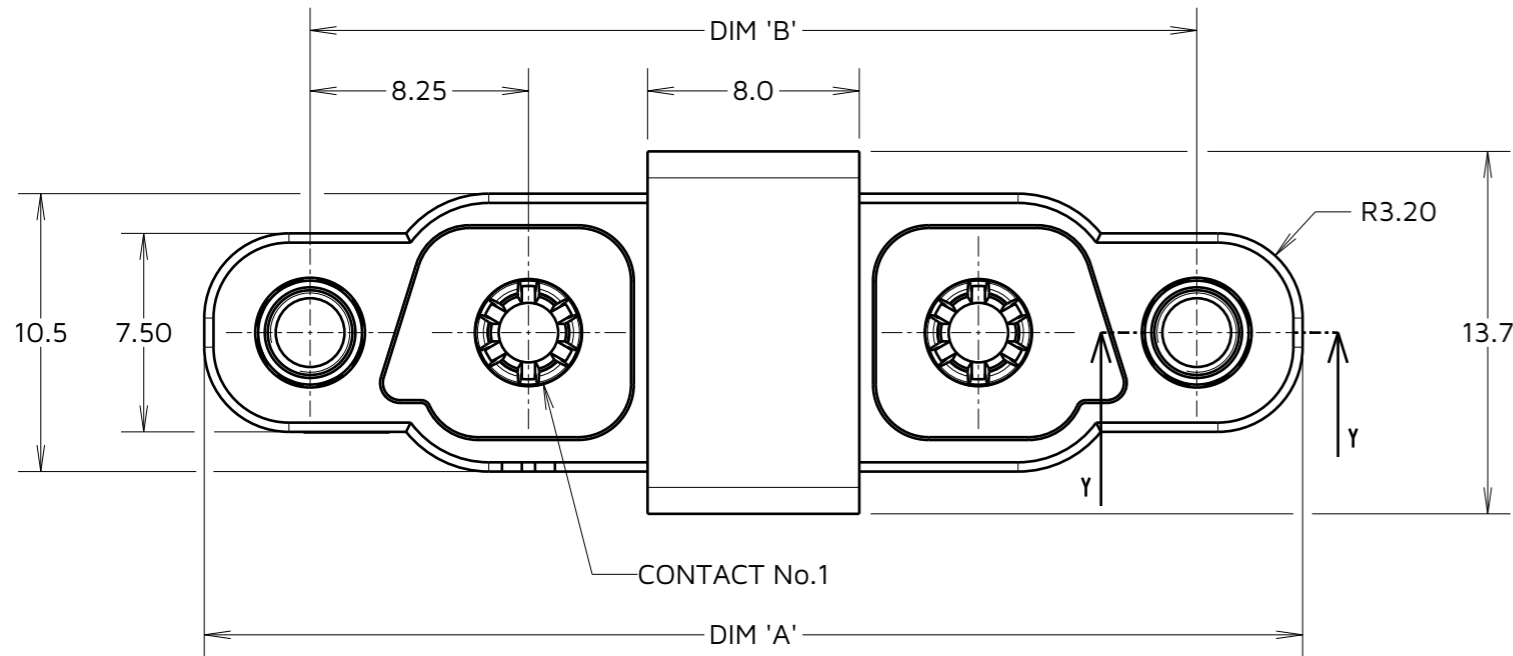
IF IN DOUBT - ASK

©

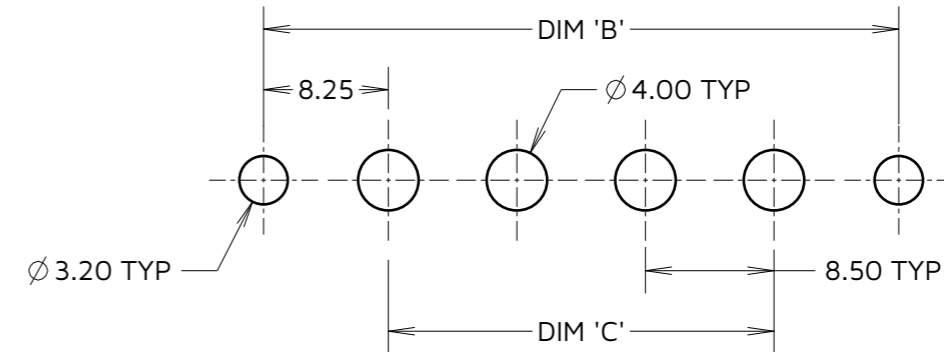
NOT TO SCALE

THIRD ANGLE PROJECTION

ALL DIMENSIONS IN mm



RECOMMENDED PCB LAYOUT  
(TOLERANCE = ±0.05)



ORDER CODE:

KA1-MVXXX05M1

TAIL LENGTH  
SEE TABLE

TOTAL No. OF CONTACTS  
02, 03, 04

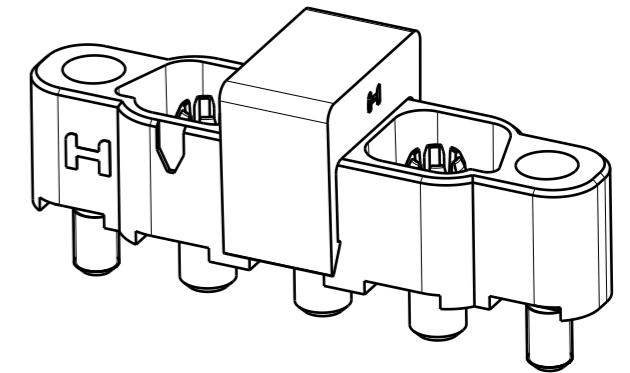
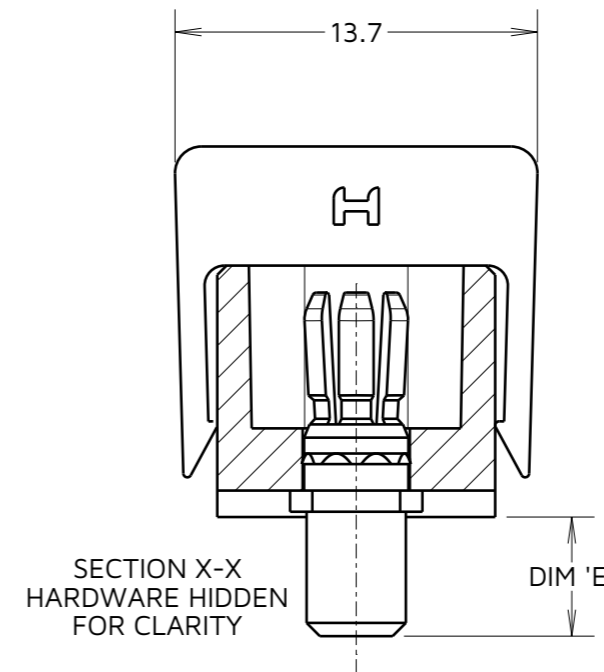
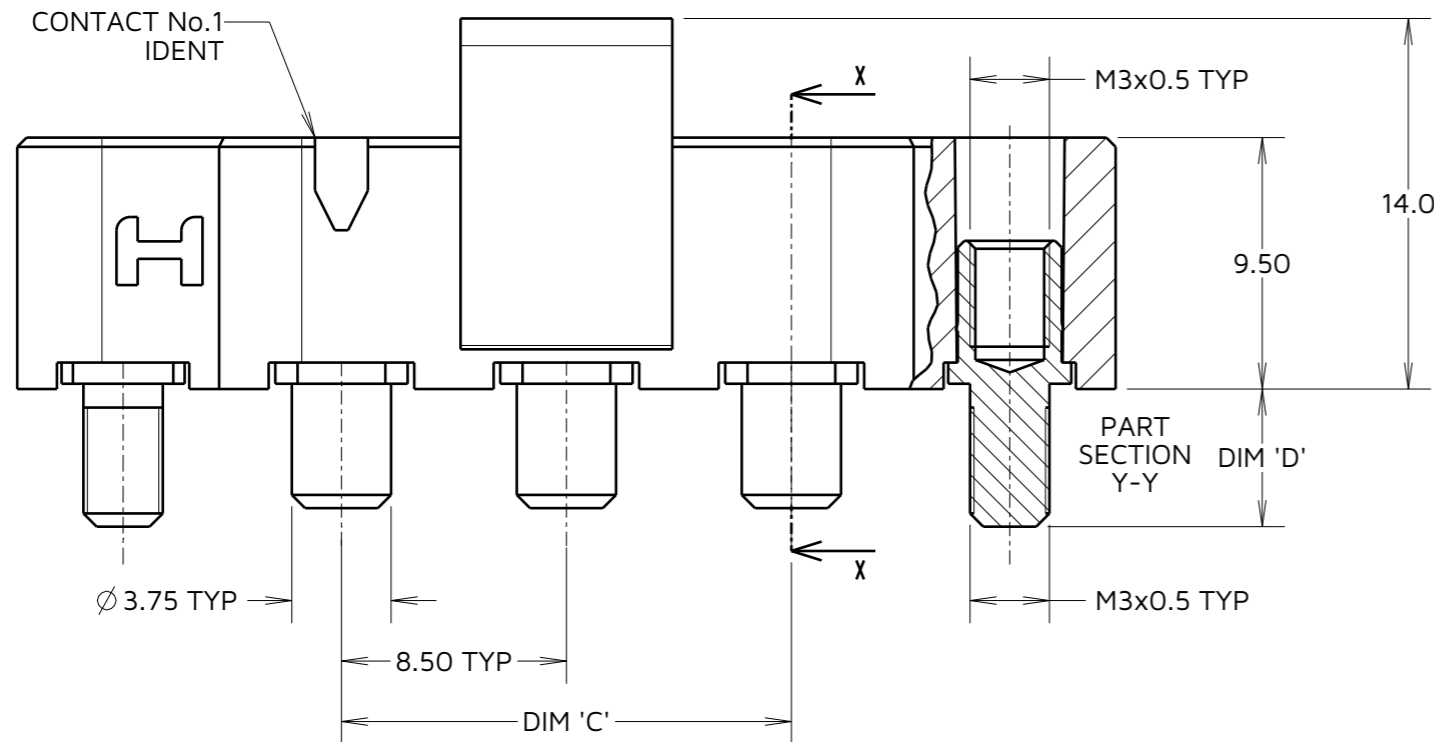


TABLE OF VARIANTS

ASSEMBLY PART No.	DIM 'A'	DIM 'B'	DIM 'C'	DIM 'D'	DIM 'E'
KA1-MV10205M1	33.0	25.0	8.5	5.20	4.50
KA1-MV10305M1	41.5	33.5	17.0		
KA1-MV10405M1	50.0	42.0	25.5	6.60	5.90
KA1-MV20205M1	33.0	25.0	8.5		
KA1-MV20305M1	41.5	33.5	17.0		
KA1-MV20405M1	50.0	42.0	25.5		

SB	4	03.04.23	32421
NAME	ISS.	DATE	CN/CO
APPROVED: S.BENNETT			
CHECKED: M.RUDKIN			
DRAWN: M.RUDKIN			
ASSEMBLY DRG:			

NOTES:

- FOR CONNECTOR SPECIFICATIONS SEE C052XX (LATEST ISSUE).
- DRAWING SHOWS CONNECTOR WITH 3 CONTACTS.
- FOR BOARD MOUNT NUTS ORDER SEPERATELY. PART NUMBER: KA1-4240000 ROUND SLOTTED NUT - BAG OF 20.
- PACKING = TUBE.

**HARWIN**

www.harwin.com

TOLERANCES  
X. = ±1mm  
X.X = ±0.50mm  
X.XX = ±0.20mm  
X.XXX = ±0.01mm  
ANGLES = ±5°  
UNLESS STATED

THIS DRAWING AND ANY INFORMATION OR DESCRIPTIVE MATTER SET OUT HEREON ARE CONFIDENTIAL AND COPYRIGHT PROPERTY OF THE HARWIN GROUP AND MUST NOT BE DISCLOSED, LOANED, COPIED OR USED FOR MANUFACTURING, TENDERING OR FOR ANY OTHER PURPOSE WITHOUT THEIR WRITTEN PERMISSION.

MATERIAL:  
SEE COMPONENT SPECIFICATION: C052XX (LATEST ISSUE)

TITLE:  
KONA SERIES - MALE VERTICAL PCT CONNECTOR

DRAWING NUMBER:  
KA1-MVXXX05M1

SHT  
4 OF 4