



RR151CHW



RJ650BK



Dividers



RJ600



RDS50

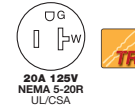
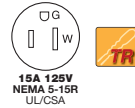


RS100W



RS101W

Dimensions in Inches (mm)



Special Use Products

Description	Color	Tamper-Resistant	Tamper-Resistant
Clock Hanger/Recessed receptacle, 2 pole, 3 wire, grounding, side wire terminations	Brass	RR151CHBSTR	RR201CHBSTR
	Stainless Steel	RR151CHSSTR	RR201CHSSTR
	Ivory (Nylon)	RR151CHITR	RR201CHITR
	White (Nylon)	RR151CHWTR	RR201CHWTR
JLOAD® Multimedia Outlet Provides power, Cat. 5e and coaxial in a single gang box. Requires RJ600 Box. Includes decorator frame, one Cat. 5e, one F-connector and one power receptacle 125V with voltage dividers.	Black	RJ650BKTR	RJ620BKTR
	Gray	RJ650GYTR	RJ620GYTR
	Ivory	RJ650ITR	RJ620ITR
	Light Almond	RJ650LATR	RJ620LATR
	White	RJ650WTR	RJ620WTR
JLOAD® Multimedia Outlet Includes decorator frame with two open ports for custom configuration and one power receptacle 125V with voltage dividers.	Black	RJ65BKTR	RJ62BKTR
	Gray	RJ65GYTR	RJ62GYTR
	Ivory	RJ65ITR	RJ62ITR
	Light Almond	RJ65LATR	RJ62LATR
	White	RJ65WTR	RJ62WTR
JLOAD® Multimedia Box 3 inches deep with seven ½-inch knockouts, non-metallic sheathed cable clamps on each side. Screw in mounting to stud.	Steel	RJ600	RJ600

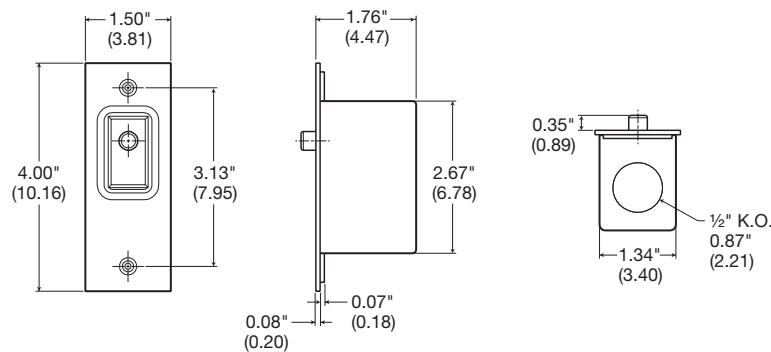
Note: See pages X-24 to X-29 for floor boxes and under cabinet power distribution options.
See page Tech-10 for Tamper-Resistant description.

Door Switch with Cover Plate and Box

Description	"ON" when Door is Open	"OFF" when Door is Open
Rating	3A 125V AC	3A 125V AC
Zinc Plated Steel	RDS50*	RDS30*

Note: *Not UL Listed.

Dimensions



In-Line Cord Switches

Description	Mini For Use with Flat Lamp Cord	Heavy Duty
Rating	6A 125V AC	6A 125V AC, 1/6 HP
Wire	#18 AWG SPT 1 and SPT 2	#18 to #16 AWG SPT 1 and SPT 2
Ivory	—	RS101I
White	RS100W	RS101W