

**Floor Boxes**  
**Accessories**  
Covers and Fittings

# HUBBELL

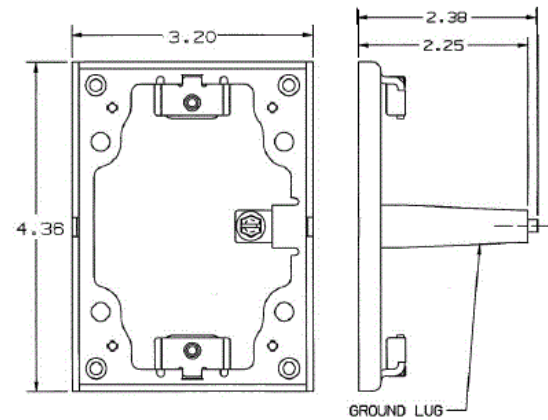
### Ordering Information

Description	Material	UPC	Catalog Number
Cover Flange,	Aluminum	783585351360	SA5017G



### Specifications

Accessory Type	Replacement Cover Flanges
For Use With	Rectangular Boxes
Box Type	Rectangular, grounding
Dimension	3.19" (81.0) x 4.38" (111.2)



### Online Resources

[Customer Use Drawing](#)  
[eCatalog](#)  
[Installation Instructions](#)

Dimensions in Inches (mm)

Hubbell Wiring Device-Kellems • Hubbell Incorporated (Delaware) • 40 Waterview Drive • Shelton, CT 06484

Phone (800) 288-6000 • Fax (800) 255-1031 • Specifications subject to change without notice.

